

IG42E - Two Channel Hall Effect Encoder

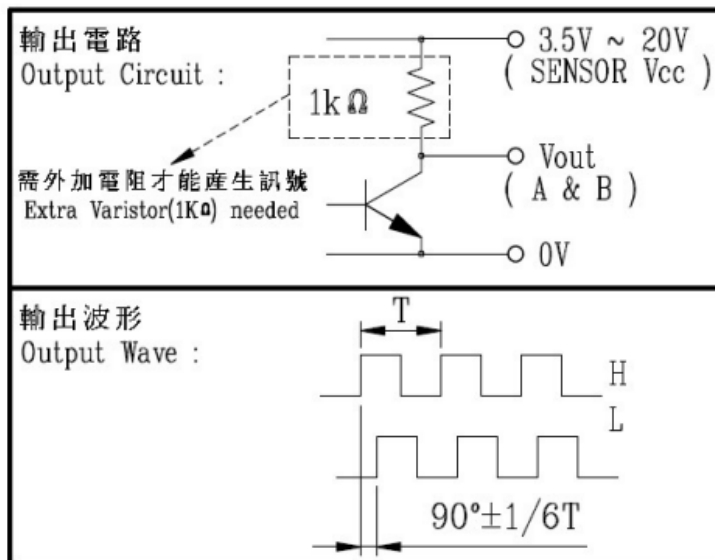


Two Channel Encoder Connection

Black	Motor Terminal
Red	Motor Terminal
Brown	Hall Sensor Vcc
Green	Hall Sensor GND
Blue	Hall Sensor A output
Purple	Hall Sensor B output

ELECTRICAL CHARACTERISTICS

規格特性 CHARACTERISTICS	代號 SYMBOL	測試條件 TEST CONDITIONS	極小 MIN.	基準 REF.	最大 MAX.	單位 UNITS
輸入電壓 Supply Voltage	Vcc	---	3.5	-	20	V
輸出飽和電壓 Output Saturation Voltage	Vce(sat)	Vcc=14V ; Ic=20mA	-	300	700	mV
輸出漏電電流 Output Leakage Current	Icex	Vce=14V ; Vcc=14V	-	< 0.1	10	μ V
輸入電流 Supply Current	Icc	Vcc=20V Output open	-	5	10	mA
輸出上升時間 Output Rise Time	t _r	Vcc=14V ; R _L =820 Ω ; C _L =20pF	-	0.3	1.5	μ S
輸出下降時間 Output Fall Time	t _f	Vcc=14V ; R _L =820 Ω ; C _L =20pF	-	0.3	1.5	μ S



Wiring to Arduino:

