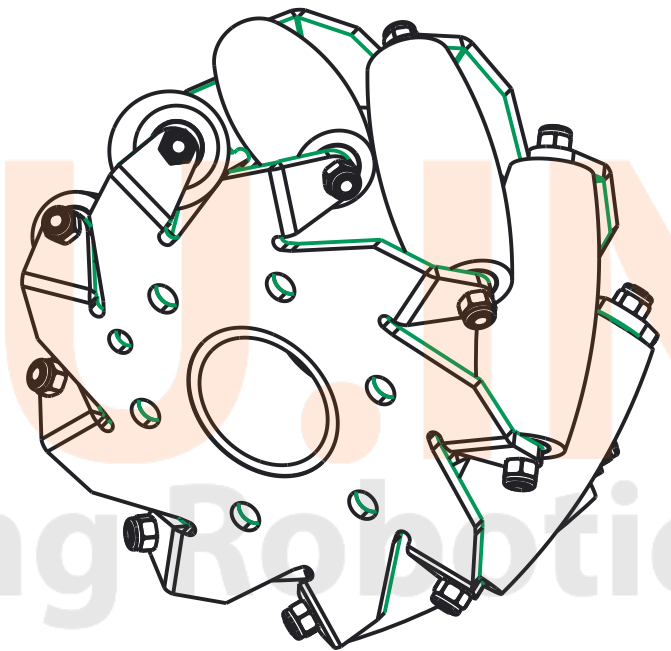
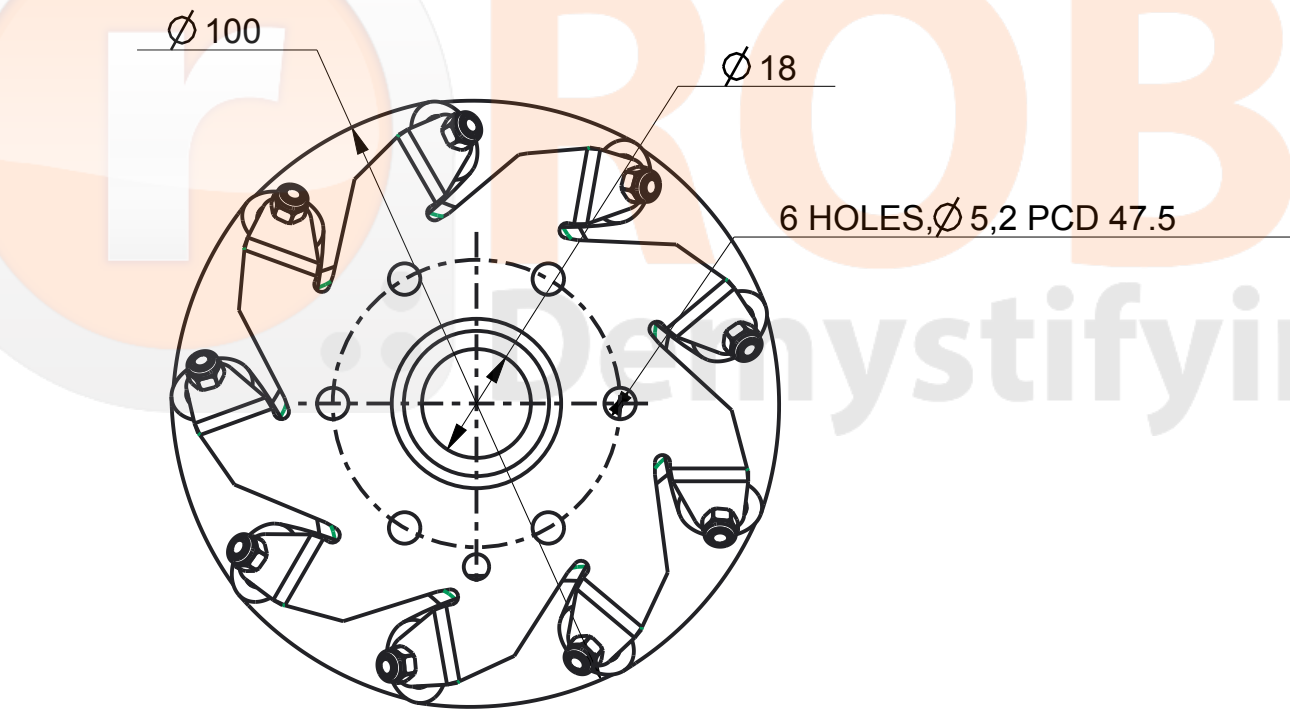


NOTE-DEPENDING ON THE MANUFACTURER GIVEN DIMENSIONS MAY VARY IN THE RANGE OF $\pm 5\%$



TITLE-100 MM MECANUM WHEEL RIGHT

PART NO. **ROBU.IN**

SCALE-1:1 DATE-

ALL DIMENSIONS ARE IN MM