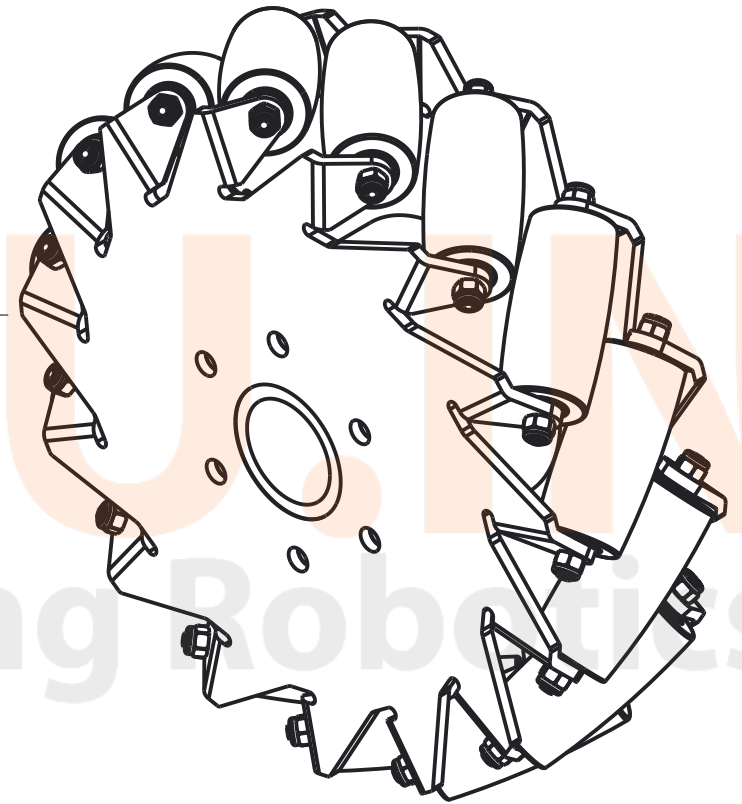
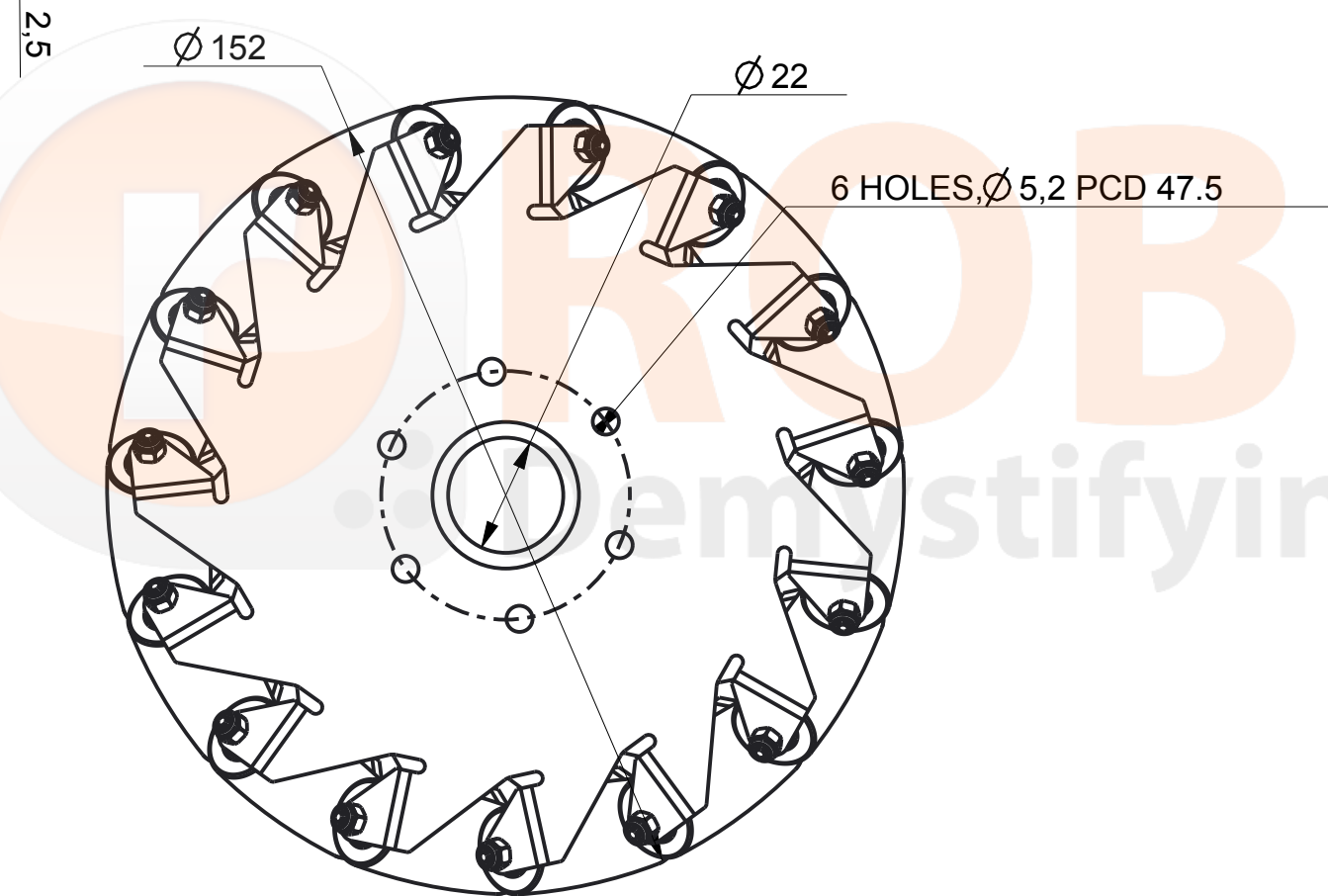


NOTE-DEPENDING ON THE MANUFACTURER GIVEN DIMENSIONS MAY VARY INTHE RANGE OF  $\pm 5\%$



TITLE-152 MM MECANUM-WHEEL RIGHT

PART NO. **ROBU.IN**

SCALE-1:1 DATE-

ALL DIMENSIONS ARE IN MM