

# MT3515



Low CG design

Light weight design

Longer duration of flight

EMAX family style design

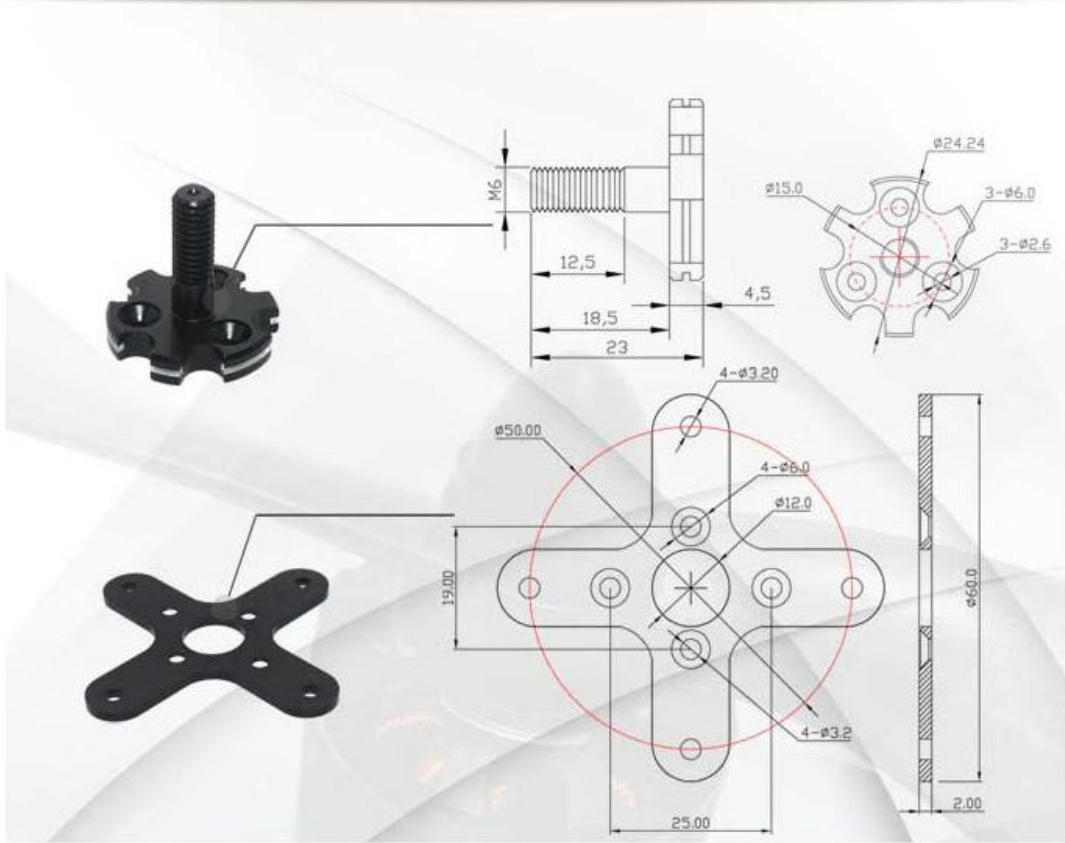


Installation for **general type propeller**



Installation for **three-hole CF propeller**







# MT3515

## Specification

KV: 650

MAX Thrust: 2870G

Length: 33.38MM

NO.OF CELL: 4-6S

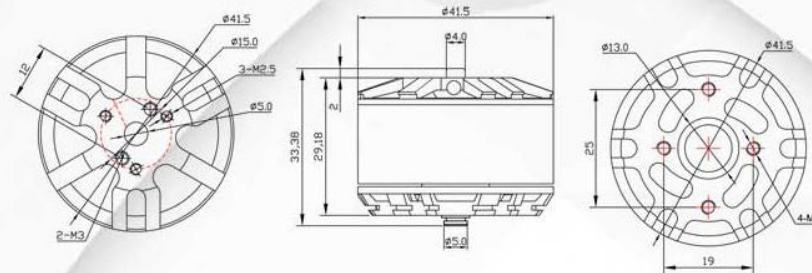
Weight: 131G

Framework: 12N14P

Shaft: 5MM

Propeller: APC13-15

Diameter: 41.5MM



The voltage (V)	Propeller size	current (A)	thrust (G)	power (W)	efficiency (G/W)	speed (RPM)
14.8	APC14*4.7	2	340	29.6	11.5	2800
		4	580	59.2	9.8	3520
		6	750	88.8	8.4	3970
		8	920	118.4	7.8	4400
		10	1060	148	7.2	4690
		12	1230	177.6	6.9	4920
		14	1330	207.2	6.4	5170
		16	1430	236.8	6	5400
		18	1540	266.4	5.8	5590
		20	1650	296	5.6	5740
		22	1780	325.6	5.5	5920
		24	1880	355.2	5.3	6010
		26	1970	384.8	5.1	6150
		29.3	2150	433.6	5	6430
	APC15*4	2	330	29.6	11.1	3160
		4	600	59.2	10.1	4080
		6	790	88.8	8.9	4600
		8	1000	118.4	8.4	5050
		10	1150	148	7.8	5430
		12	1270	177.6	7.2	5710
		14	1440	207.2	6.9	5990
		16	1580	236.8	6.7	6170
		18	1700	266.4	6.4	5420
		20	1820	296	6.1	6610
		22	1920	325.6	5.9	6730
		23.8	2060	352.2	5.8	6970
	1340 Carbon fiber Propeller	2	280	29.6	9.5	3340
		4	500	59.2	8.4	4350
		6	710	88.8	8.0	5100
		8	860	118.4	7.3	5600
		10	1030	148	7.0	6020
		12	1160	177.6	6.5	6390
		14	1330	207.2	6.4	6700
		16	1440	236.8	6.1	7050
		18	1580	266.4	5.9	7240
		19.3	1650	285.64	5.8	7400

18.5	APC13*4	2	340	37	9.2	4140
		4	600	74	8.1	5280
		6	850	111	7.7	6200
		8	1030	148	7	6840
		10	1200	185	6.5	7350
		12	1390	222	6.3	7810
		14	1550	259	6	8220
		16	1650	296	5.57	8600
		18	1870	333	5.62	8930
		21.2	2060	392.2	5.3	9400
	APC15*4	2	370	37	10	3300
		4	680	74	9.2	4270
		6	900	111	8.1	4800
		8	1080	148	7.3	5300
		10	1330	185	7.2	5730
		12	1480	222	6.7	6000
		14	1650	259	6.4	6250
		16	1760	296	6	6590
		18	1910	333	5.7	6760
		20	2030	370	5.5	6950
		22	2170	407	5.33	7080
		24	2350	444	5.29	7290
		26	2450	481	5.1	7430
		28	2560	518	4.9	7620
		30	2650	555	4.8	7700
		32	2750	592	4.65	7850
33.8	2870	625.3	4.59	7950		

22.2	1238 Carbon fiber Propeller	2	390	44.4	8.8	4320
		4	650	88.8	7.3	5550
		6	880	133.2	6.6	6370
		8	1120	177.6	6.3	7060
		10	1300	222	5.9	7570
		12	1450	266.4	5.4	7940
		14	1640	310.8	5.3	8270
		16	1780	355.2	5.0	8730
		18	1920	399.6	4.8	8990
		20	2050	444	4.6	9310
		22	2260	488.4	4.6	9640
		24	2320	532.8	4.4	9780
		27.3	2550	606.06	4.2	10150
		APC13*4	2	410	44.4	9.2
	4		700	88.8	7.9	5680
	6		940	133.2	7.1	6600
	8		1210	177.6	6.8	7380
	10		1430	222	6.4	7810
	12		1610	266.4	6	8340
	14		1720	310.8	5.5	8730
	16		1900	355.2	5.3	9130
	18		2060	399.6	5.2	9470
	20		2270	444	5.1	9740
	22		2400	488.4	4.9	10000
	24		2550	532.8	4.8	10300
	26	2650	577.2	4.6	10500	
28.3	2800	628.3	4.5	10780		