

TITLE-JOHNSON MOTOR POSITIONS

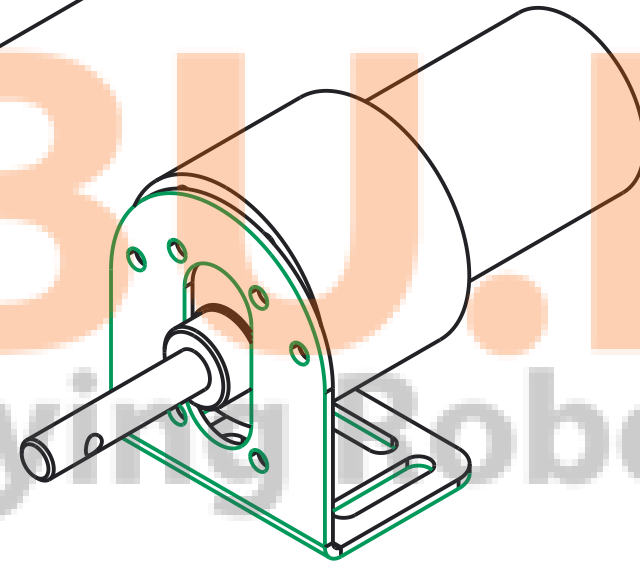
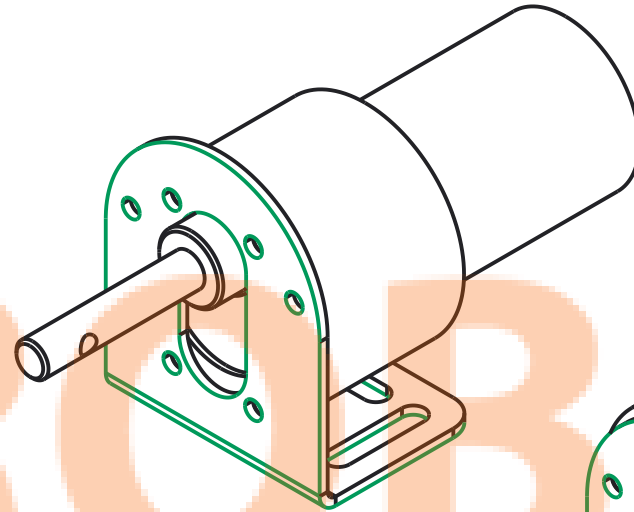
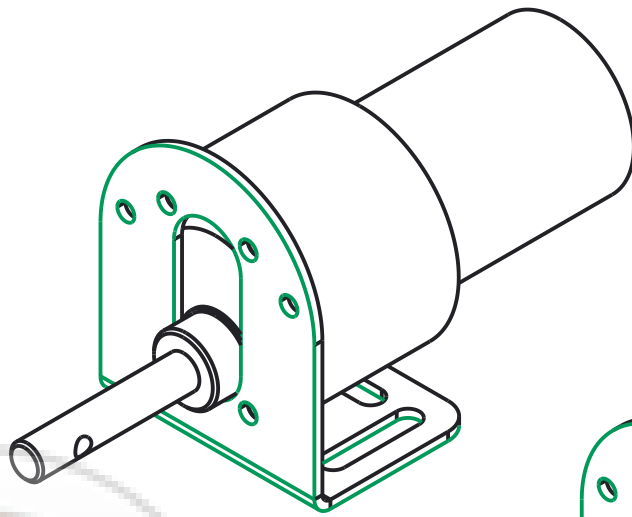
PART NO.

ROBU.IN(PUNE)

SCALE-1:1

DATE-

ALL DIMENSIONS ARE IN MM



RED MARK DEFINES THE HOLES WHICH ARE USED TO MOUNT MOTOR FOR DIFFERENT POSITIONS

