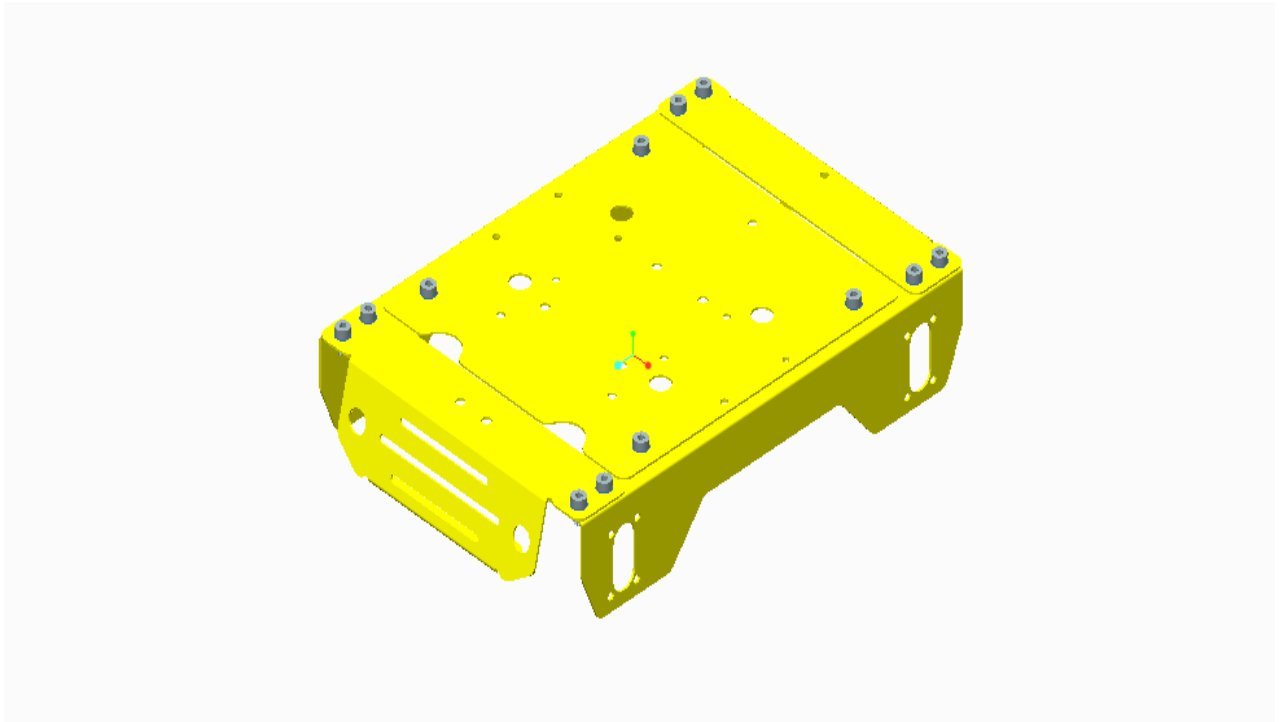




EASYMECH WARRIOR CHASSIS

ASSEMBLY GUIDE



Design & Execution

ROBU.IN

SERVICES

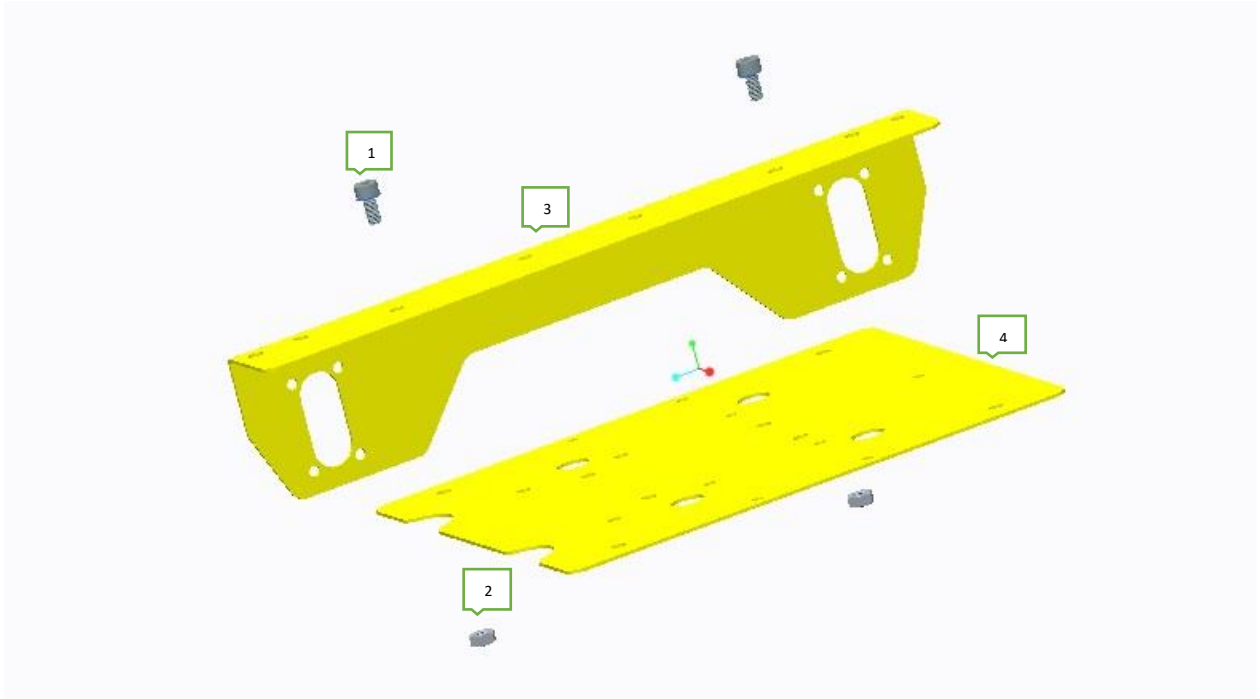
info@robu.in

WEBSITE

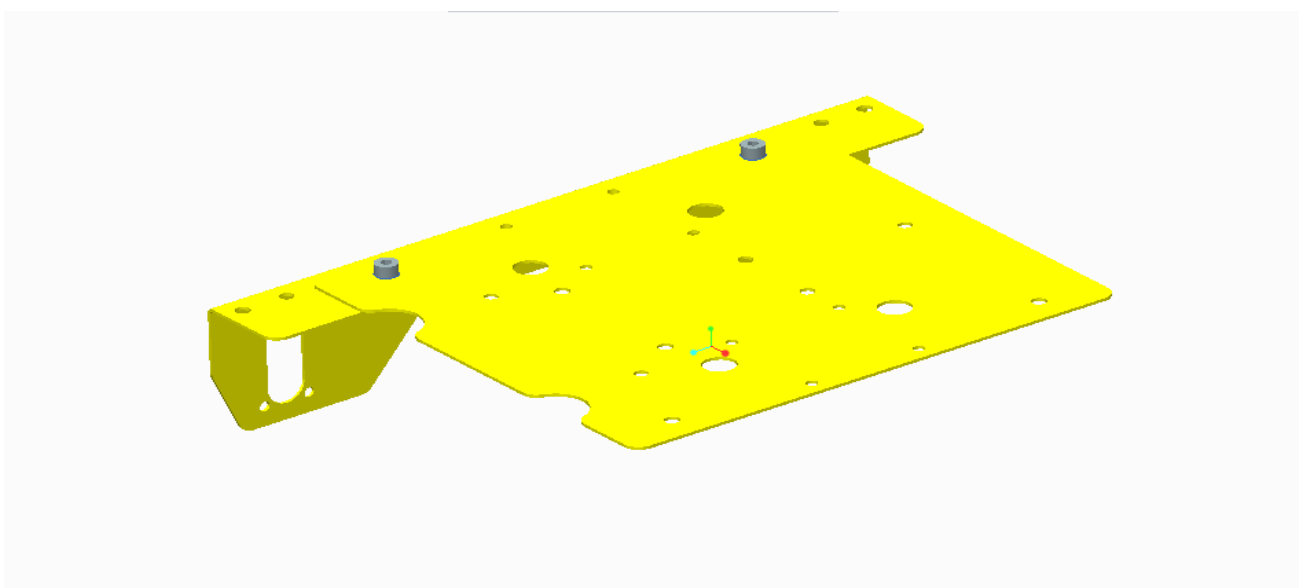
www.robu.in



STEP 1

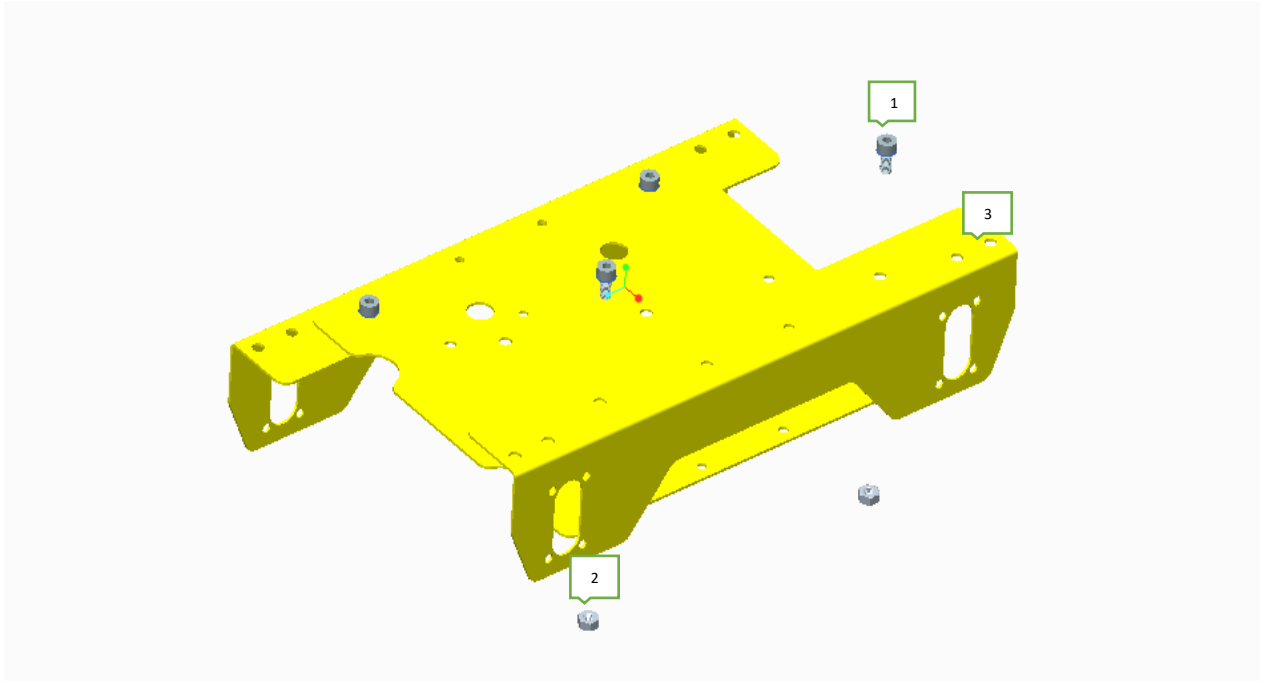


1. (4X) M4 X 8 MM ALLEN BOLT
2. (4X) M4 HEX NUT
3. SIDE PLATE 1
4. TOP PLATE

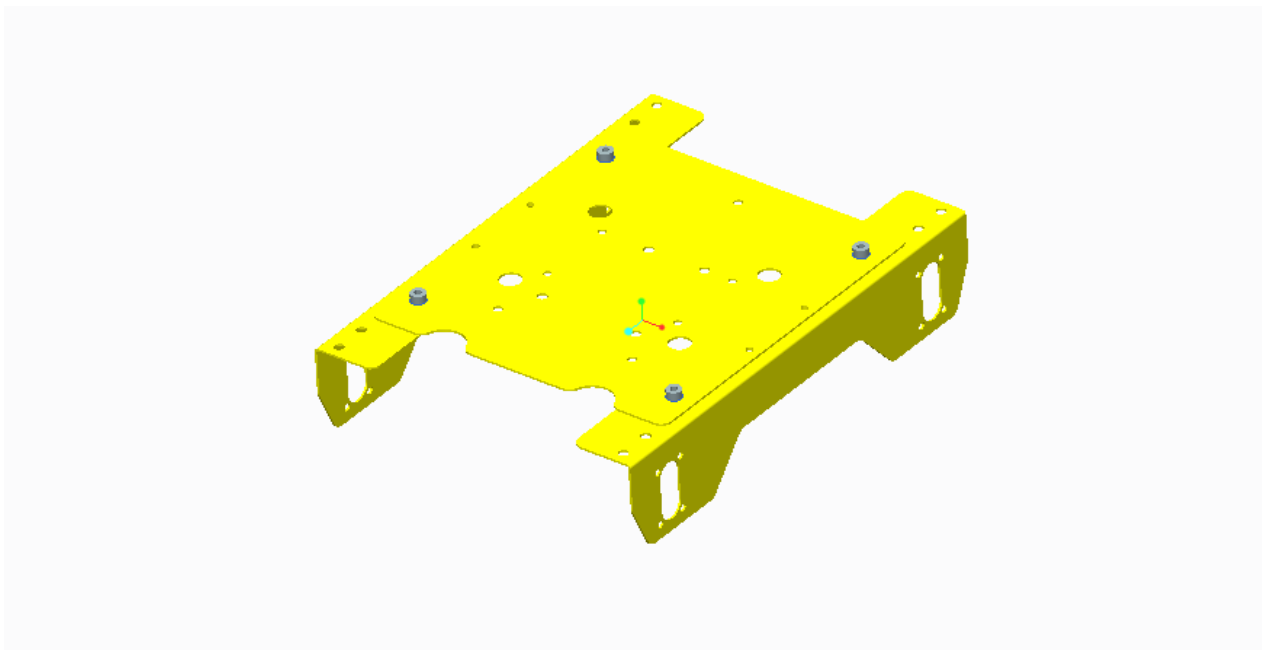




STEP 2

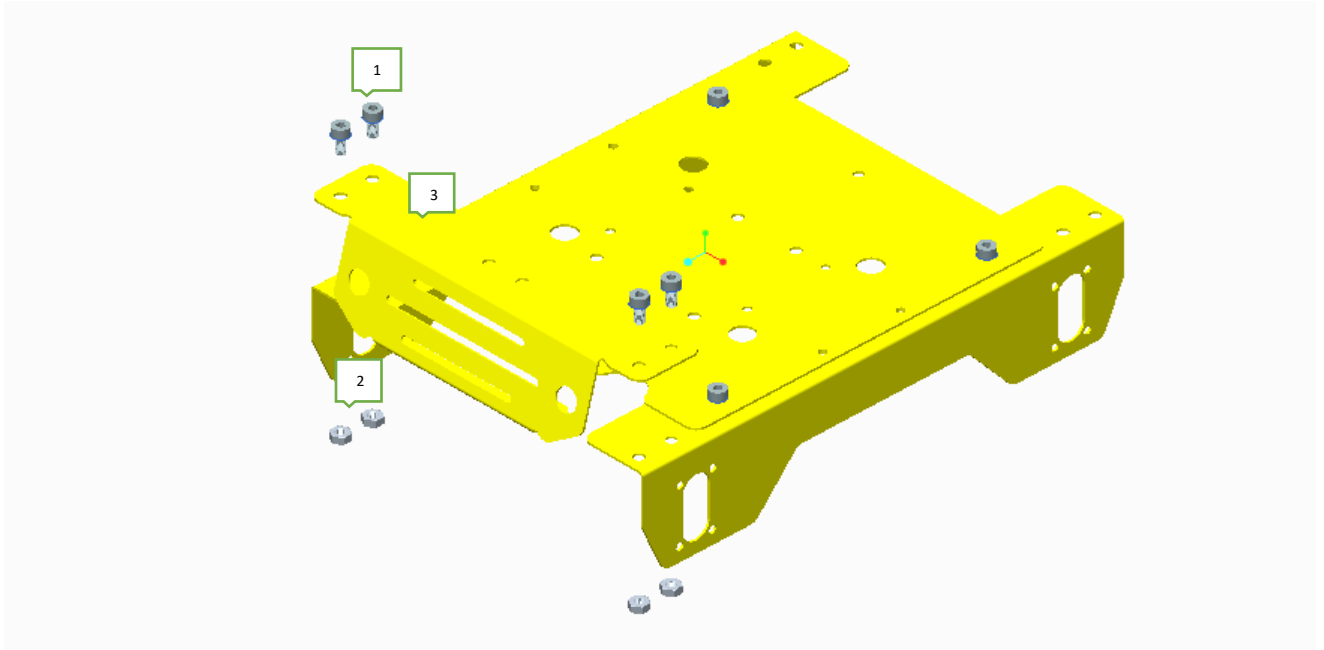


1. (4X) M4 X 8 MM ALLEN BOLT
2. (4X) M4 HEX NUT
3. SIDE PLATE 2

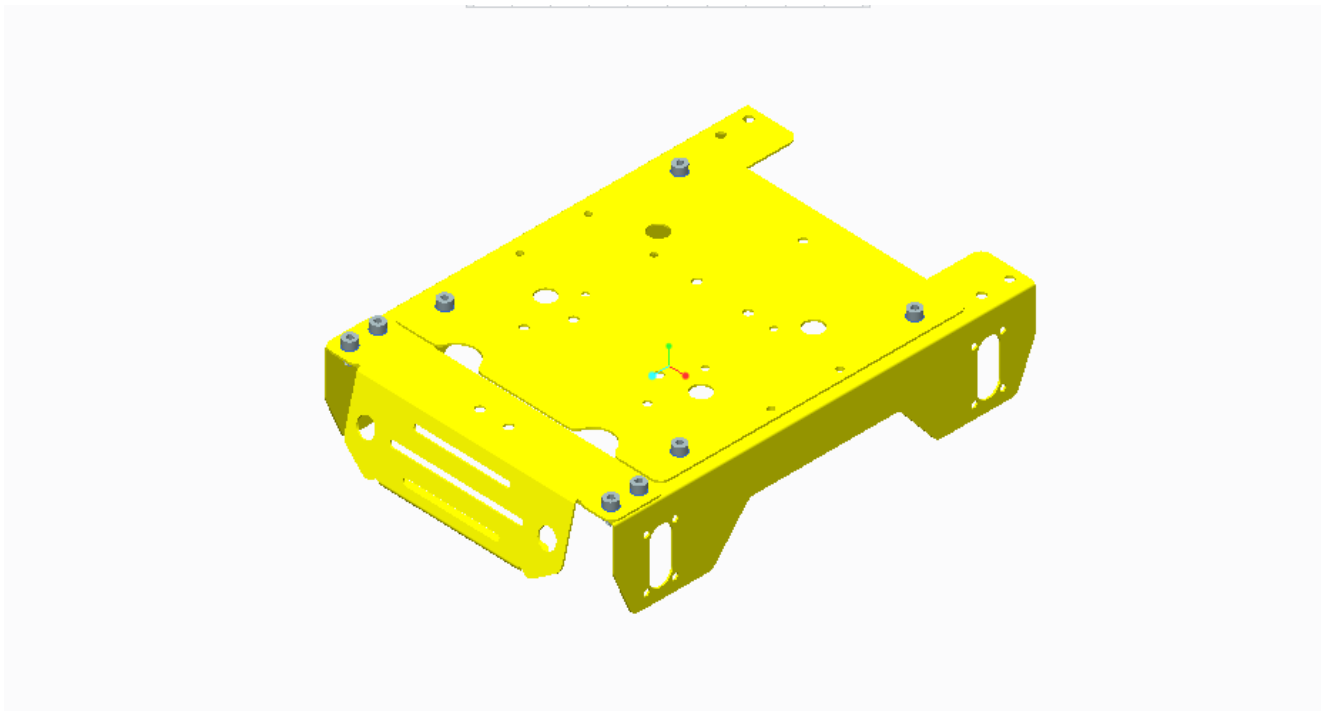




STEP 3

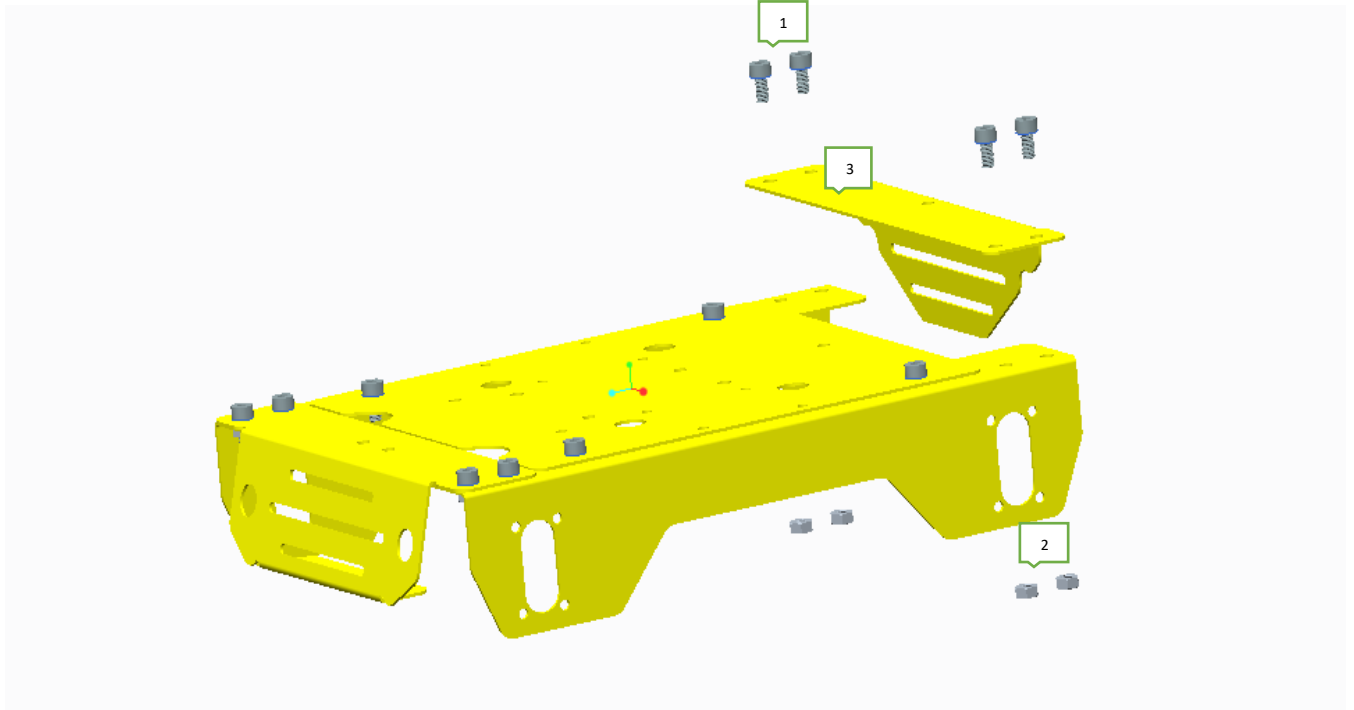


1. (4X) M4 X 8 MM ALLEN BOLT
2. (4X) M4 HEX NUT
3. FRONT PLATE





STEP 4



1. (4X) M4 X 8 MM ALLEN BOLT

2. (4X) M4 HEX NUT

3. BACK PLATE

