

5010 360KV High Torque Brushless Motor for Drone

Features:

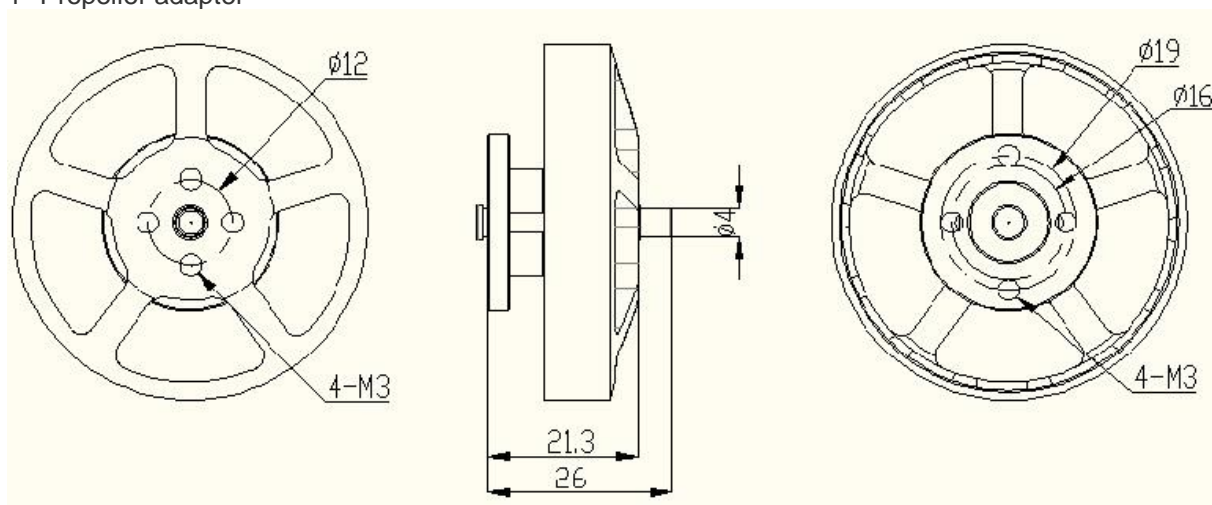
- 1.Machined aluminum front housing with four fan-style cooling holes that pump air through the motor while it runs.
- 2.Rear threaded mounting holes with both 16 mm and 19mm hole spacings fit a variety of applications.
- 3.Specially designed NdFeB magnets with high temperature rating for trouble-free operation.
- 4.High Temperature 140 C (356 F) rated wire is used for winding the motors to minimize the risk of burning up the motor.
- 5.High quality stator plates are epoxy coated on the inner surface to prevent winding shorts. 0.20mm stator plate id used on this motor 5010.
- 6.High quality shielded and permanently lubricated ball bearings are used to support the motor shaft in all our motors.
- 7.High temperature adhesives are used to secure the stator windings and prevent them from shifting and getting pinched or shorting out .

Spec:

KV: 360
Configu-ration: 12N14P
Shaft Diameter(out size): 4mm
Shaft Diameter(inside size): 5mm
Motor Dimension(Dia.*Len): $\Phi 50 \times 26$
Weight(g): 92g
Cable 40cm

Package:

- 1* 5010 motor
- 4* Screw
- 1* Propeller adapter



Test Data

RCTIMER 1665 Prop:

No .	Voltage(V)	Current(A)	Power(W)	RPM/V	Quiet Tensile(g)	Pull/Power(g/w)	Note
1	14	0.2	2.8	1000	81	28.9	
2	14	0.4	5.6	1200	110	19.6	
3	14	0.6	8.4	1400	160	19.0	
4	14	1.1	15.4	1600	220	14.3	
5	14	1.7	23.8	1800	288	12.1	
6	14	2.4	33.6	2000	350	10.4	
7	14	3.4	47.6	2200	430	9.0	
8	14	4.2	58.8	2400	490	8.3	
9	14	5.9	82.6	2600	570	6.9	
10	14	8.5	119	2800	730	6.1	
11	14	10.7	149.8	3000	800	5.3	