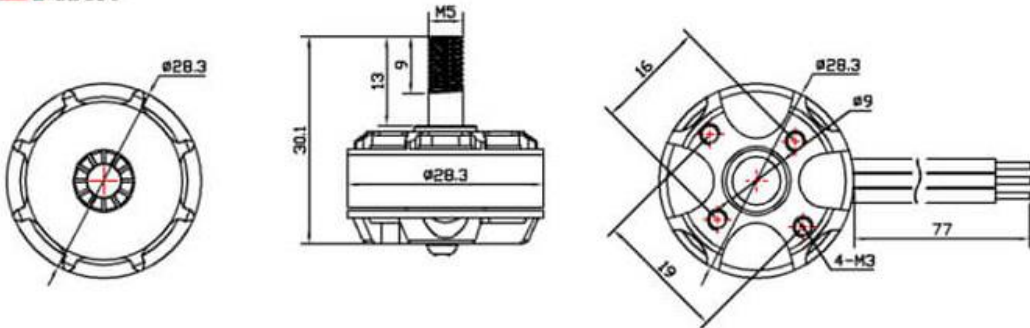




RS2306 black package

Specification

EMAX



RS2306-2400KV:
 Framework:12N14P
 Diameter:28.3MM
 Max.thrust:1552g

No.of cells:3-4S
 Length:30.1MM
 Weight:33.84g

Propeller:5"
 Prop adapter shaft thread:M5
 KV:2400

Motor Type	Voltage (V)	Propeller	Current (A)	Thrust (G)	Power (W)	Efficiency	Speed (RPM)
RS2306- 2400KV	12	GF5050 Tri-blade	1.1	75	13.20	5.68	6250
			3.1	177	37.20	4.76	9400
			5.1	262	61.20	4.28	11160
			7.1	332	85.20	3.90	12440
			9.1	410	109.20	3.75	13810
			11.1	472	133.20	3.54	14840
			13.1	540	157.20	3.44	15900
			15.1	604	181.20	3.33	16710
			17.2	660	206.40	3.20	17550
			19.1	719	229.20	3.14	18330
			21.1	770	253.20	3.04	19080
			23.1	825	277.20	2.98	19830
			25.1	870	301.20	2.89	20580
			27.1	925	325.20	2.84	21090
		29	958	348.00	2.75	21470	
		30.1	984	361.20	2.72	21780	
		1	71	12.00	5.92	6320	
		3.1	182	37.20	4.89	9950	
		5.1	271	61.20	4.43	12080	
		7.1	357	85.20	4.19	13850	
		9.1	425	109.20	3.89	15170	
		11.1	496	133.20	3.72	16350	
		13.1	562	157.20	3.58	17440	
		15.1	629	181.20	3.47	18490	
		17.1	693	205.20	3.38	19330	
		19.1	755	229.20	3.29	20210	
		21.1	816	253.20	3.22	20950	
		23.1	865	277.20	3.12	21550	
		25.9	922	310.80	2.97	22380	
		1	60	12.00	5.00	6450	
		3.1	161	37.20	4.33	10100	
		5.1	245	61.20	4.00	12150	
		7.1	321	85.20	3.77	13680	
		9.1	388	109.20	3.55	15060	
		11.1	448	133.20	3.36	16350	
		13.1	512	157.20	3.26	17370	
		15.1	575	181.20	3.17	18350	
		17.1	630	205.20	3.07	19200	
		19.1	686	229.20	2.99	20010	
		21.1	742	253.20	2.93	20640	
		23.1	786	277.20	2.84	21360	
		25.2	828	302.40	2.74	22080	
26.4	849	316.80	2.68	22430			
1.1	92	13.20	6.97	6020			
5.1	309	61.20	5.05	10470			
10.1	516	121.20	4.26	13410			
15.1	690	181.20	3.81	15480			
20.1	850	241.20	3.52	17220			
25.1	996	301.20	3.31	18710			
30.2	1148	362.40	3.17	19720			
34.6	1263	415.20	3.04	20560			

RS2306-
2400KV

16

GF5050 Tri-blade	1	98	16.00	6.13	6710
	3.1	214	49.60	4.31	10210
	5.1	319	81.60	3.91	12240
	7.1	404	113.60	3.56	13780
	9.1	481	145.60	3.30	14960
	11.1	550	177.60	3.10	15940
	13.1	619	209.60	2.95	16950
	15.1	687	241.60	2.84	17800
	17.1	745	273.60	2.72	18670
	19.2	811	307.20	2.64	19610
	21.2	875	339.20	2.58	20400
	22.8	934	364.80	2.56	21120
	25.1	989	401.60	2.46	21830
	27.1	1044	433.60	2.41	22570
	29.3	1100	468.80	2.35	23040
	31.1	1154	497.60	2.32	23460
	33.1	1208	529.60	2.28	23950
	35.1	1259	561.60	2.24	24480
	37	1316	592.00	2.22	24970
	39.2	1365	627.20	2.18	25300
41.2	1418	659.20	2.15	25820	
43.1	1475	689.60	2.14	26280	
45.2	1528	723.20	2.11	26660	
46.4	1552	742.40	2.09	26880	
T5045 Tri-blade	1.1	96	17.60	5.45	7130
	3.1	236	49.60	4.76	11250
	5.1	332	81.60	4.07	13310
	7.1	418	113.60	3.68	15110
	9.1	501	145.60	3.44	16250
	11.1	586	177.60	3.30	17530
	13.1	656	209.60	3.13	18630
	15.1	726	241.60	3.00	19780
	17.2	802	275.20	2.91	20720
	19.1	868	305.60	2.84	21740
	21.1	926	337.60	2.74	22350
	23.1	985	369.60	2.67	22830
	25.2	1052	403.20	2.61	23350
	27.1	1117	433.60	2.58	24070
	29.1	1175	465.60	2.52	24760
	31.1	1226	497.60	2.46	25400
	33	1268	528.00	2.40	26070
	35	1312	560.00	2.34	26530
	37	1358	592.00	2.29	26930
	39.1	1396	625.60	2.23	27380
41.2	1428	659.20	2.17	27780	
HQ5045 Propeller	1.1	86	17.60	4.89	7510
	3.1	216	49.60	4.35	11620
	5.1	319	81.60	3.91	14080
	7.1	396	113.60	3.49	15810
	9.1	470	145.60	3.23	17190
	11.1	537	177.60	3.02	18460
	13.1	605	209.60	2.89	19540
	15.1	667	241.60	2.76	20540
	17.1	719	273.60	2.63	21490
	19.1	781	305.60	2.56	22210
	21.1	839	337.60	2.49	23090
	23.1	885	369.60	2.39	23810
	25.1	947	401.60	2.36	24670
	27.1	981	433.60	2.26	25400
	29.1	1032	465.60	2.22	25890
	31.1	1084	497.60	2.18	26320
	33.2	1133	531.20	2.13	26830
	35.1	1188	561.60	2.12	27350
	37.2	1238	595.20	2.08	27910
	39	1287	624.00	2.06	28200
40.4	1323	646.40	2.05	28320	
6040BN Tri-blade	1.1	110	17.60	6.25	6570
	5.1	358	81.60	4.39	11300
	10.1	570	161.60	3.53	14260
	15.1	781	241.60	3.23	16470
	20	925	320.00	2.89	18200
	25	1110	400.00	2.78	19510
	30.2	1270	483.20	2.63	21000
	35	1420	560.00	2.54	22000