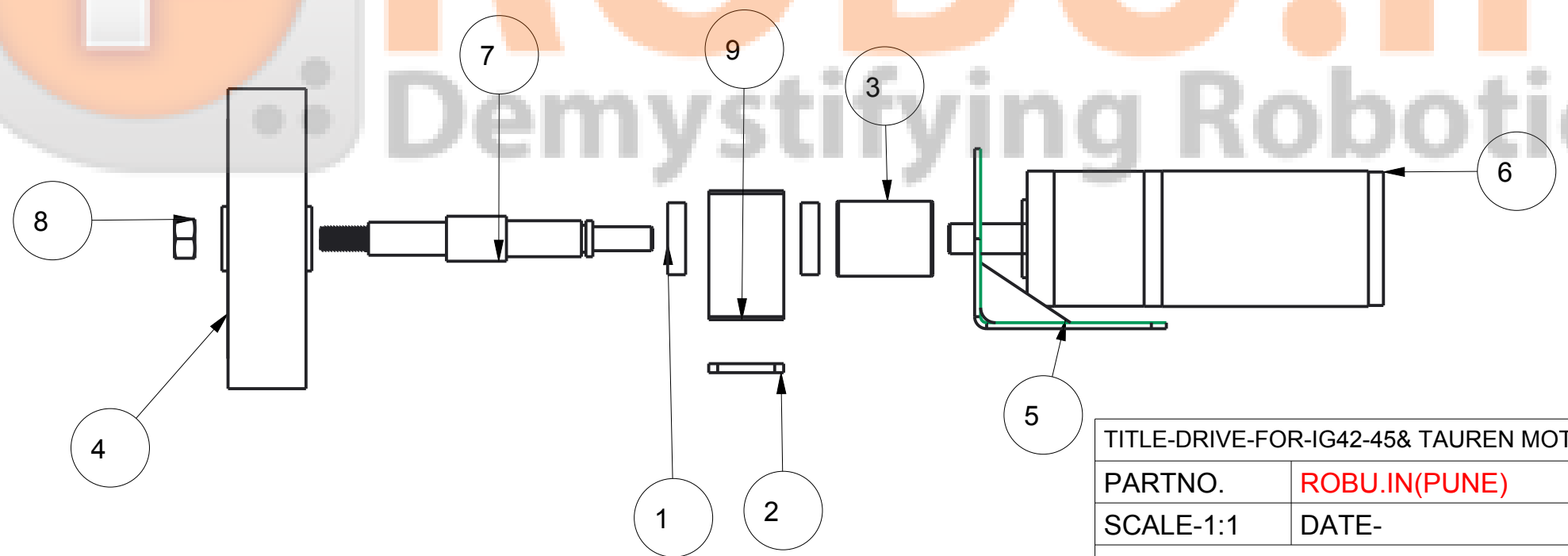
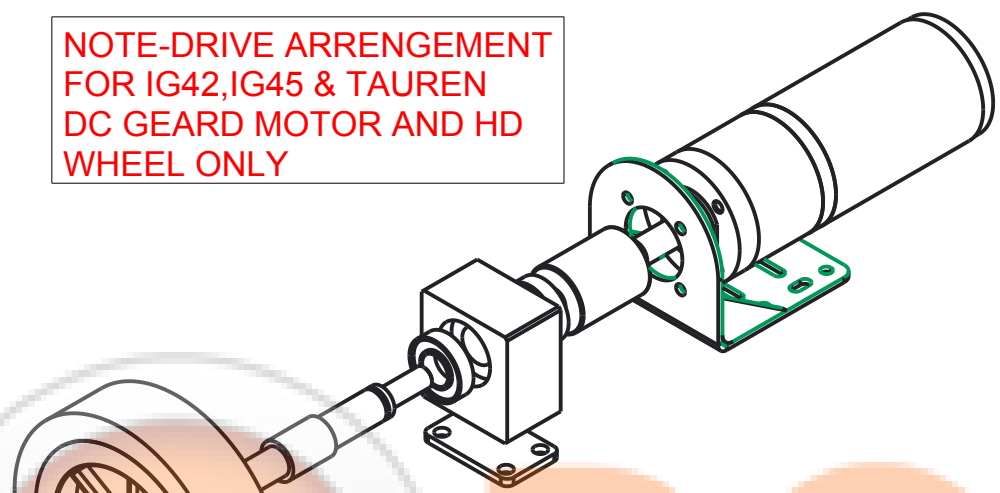


NOTE-DRIVE ARRENGEMENT FOR IG42,IG45 & TAUREN DC GEARD MOTOR AND HD WHEEL ONLY

ITEM NO	PART NUMBER	QTY
1	BEARING	2
2	BH-SPACER-PLATE	1
3	FLEXIBLE-COUPLING-8X8	1
4	HD-WHEEL	1
5	IG42-45-TAUREN-MOTOR-BRACKET	1
6	MOTOR	1
7	MS-SHAFT	1
8	NUT-M8	1
9	UNIVERSAL-BEARING-HOUSING	1



ROBU.IN  
Demystifying Robotics

TITLE-DRIVE-FOR-IG42-45& TAUREN MOTOR	
PARTNO.	ROBU.IN(PUNE)
SCALE-1:1	DATE-
ALL DIMENSIONS ARE IN MM	