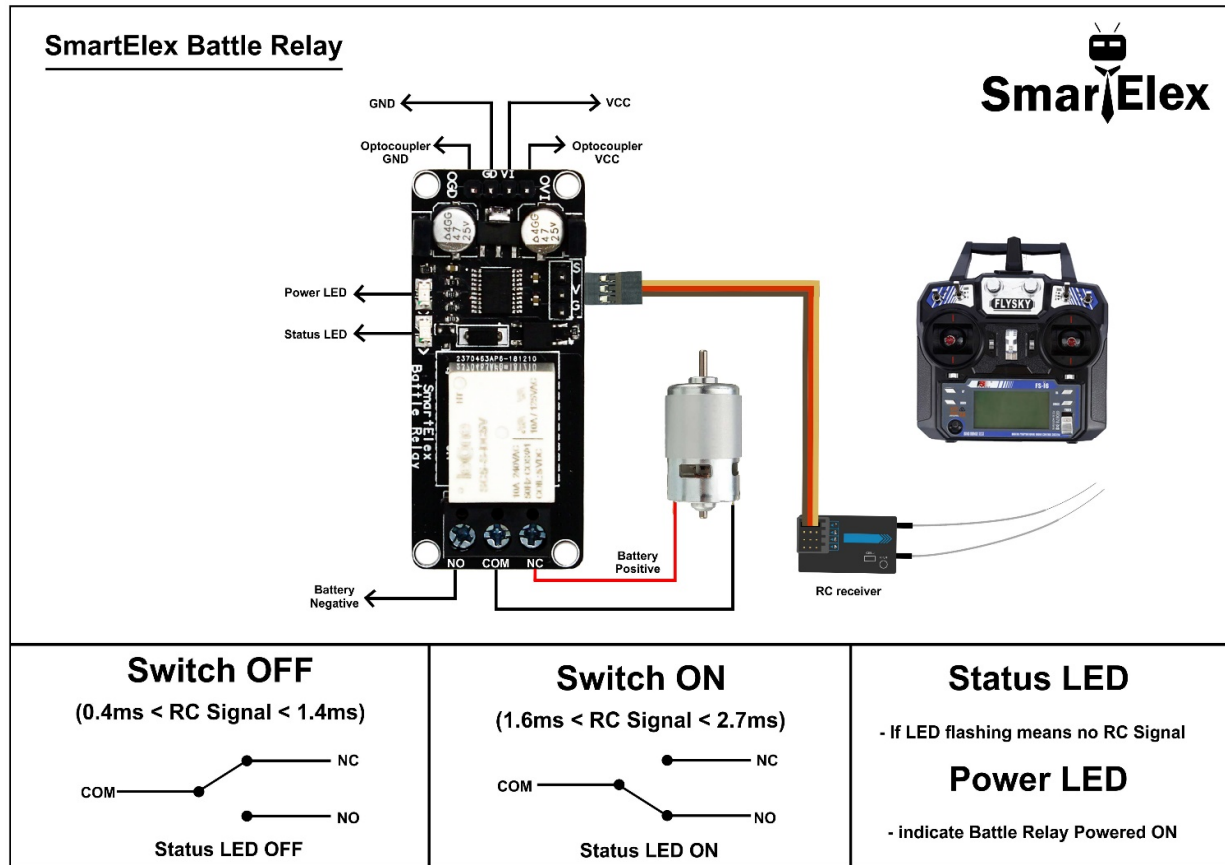


# SmartElex Battle Relay Quick Start Guide



## Specification for SmartElex Battle Relay:

- Max current and voltage: 10A @ 125VAC  
7A @ 240VAC
- Relay resistance: 100 mΩ max.
- 4.8V to 5.2V operating voltage.
- 40mA typical draw from receiver.

Dimensions: 58mm X 25mm X 18mm

## How to Use

Plug in SmartElex Battle Relay into standard radio control receiver by using servo cable. Load that you want to toggle using SmartElex Battle Relay wear resistant screw terminals. Depending on the channel you use, you will then be able to control the relay by moving your radio's control stick up or down, left or right.