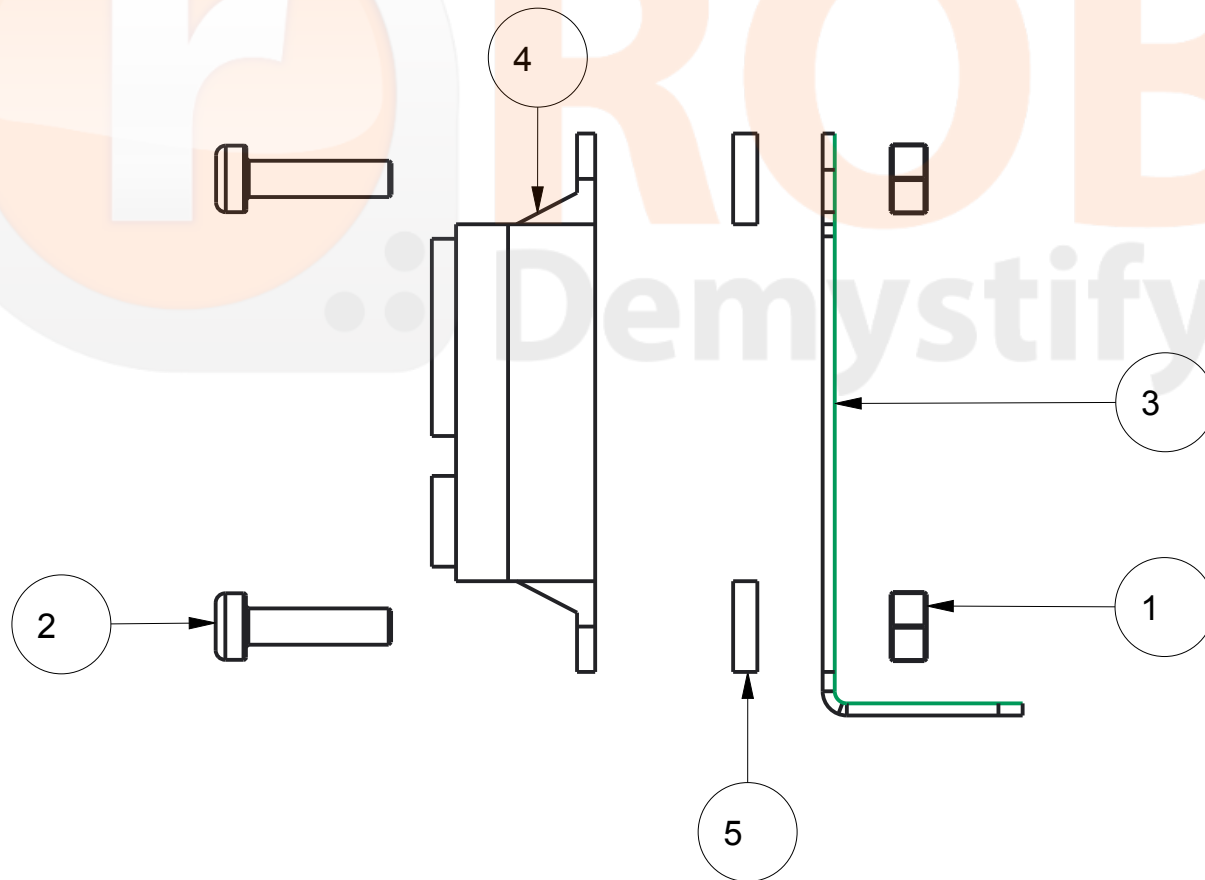
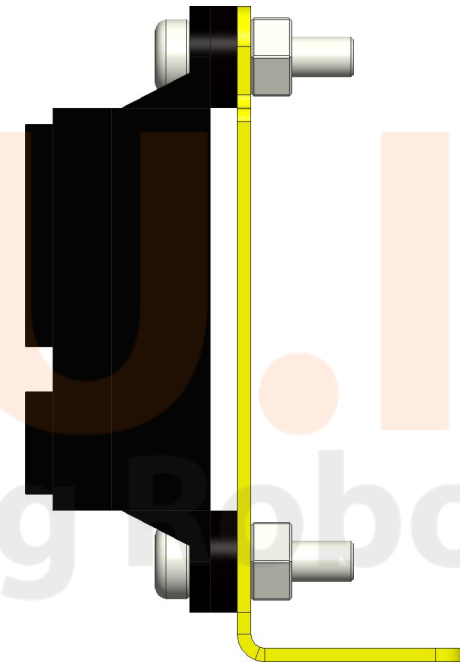
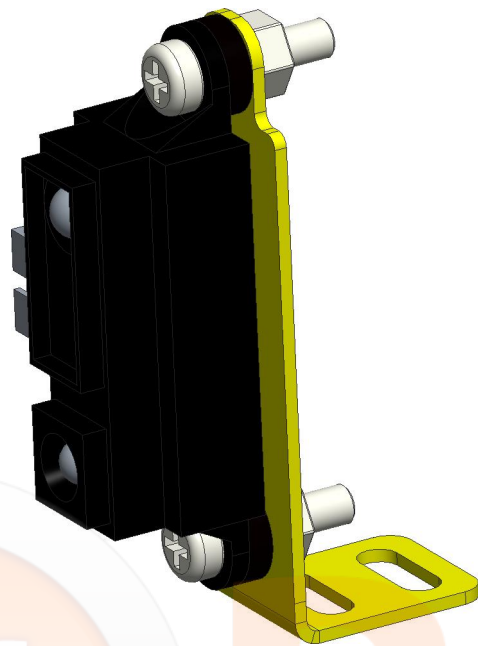


ITEM NO	mbr.name	QTY
1	M3-NYLON-NUT	2
2	M3X12-NYLON-BOLT	2
3	SHARP-BRACKET-PERPENDICULAR	1
4	SHARP-DISTANCE-SENSOR	1
5	SPACER	2



TITLE-SHARP DISTANCE SENSOR  
BRACKET MOUNTING-PERPENDICULAR

SCALE-1:1    **ROBU.IN**

ALL DIMENSIONS ARE IN MM