



# Orange OE- 37 Encoder


## Two Channel Hall Effect Encoder

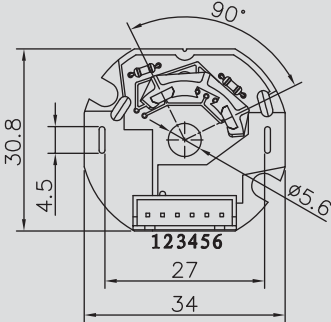
Operating relative humidity : 20%~85%RH

Operating temperature range: -40°C~+85°C



### Appearance size





**Two ChanneEncoder Connctions:**

- 1.MOTOR -
- 2.MOTOR +
- 3.HALL SENSOR Vcc
- 4.HALL SENSOR GND
- 5.HALL SENSOR A Vout
- 6.HALL SENSOR B Vout

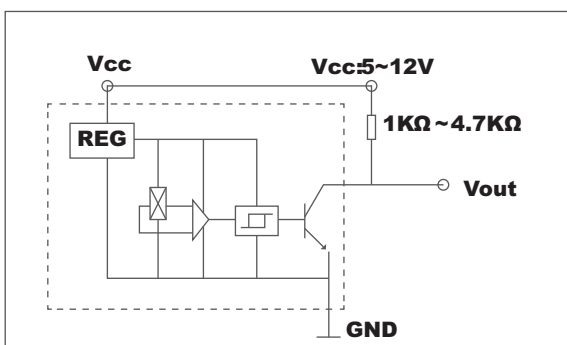
\*RS-545,RS-555  
 \*This decoder is mainly installed on RS-545, RS-555, motors.  
 \*3PPR,7PPR  
 \*Each turnoutput 3PPR,7PPR

Characteristics	Symbol	Test conditions	Min	Ref	Max	Units
Supply Voltage	Vcc	-----	4.5	--	24	V
Supply Current	Icc	-----	--	14	20	mA
Output Current	Ic	Vce=12V; Gauss<-170	--	<0.1	20	mA
Output Leakage Current	Icex	Output open; 25°C [ 77°F ]	--	--	10	μA
Output Rise Time	Tr	RL=820Ω; CL=20pF; 25°C	--	0.5	1.5	μS
Output Fall Time	Tf	RL=820Ω; CL=20pF; 25°C	--	0.2	1.5	μS

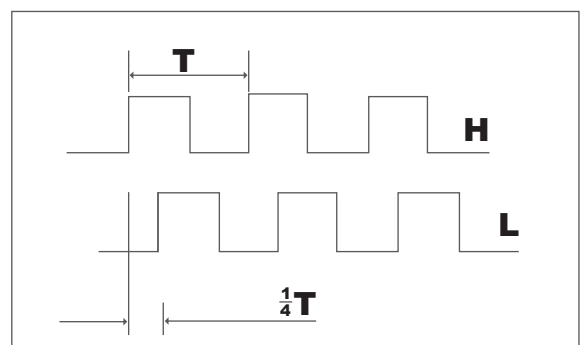
### ELECTRICAL CHARACTERISTICS

At V=4.5V to 24V with 20mA load with Ta= -40°C to 125°C [-77°F to 257°F] unless otherwise noted.

### Output Circuit



### Output Wave



○ The above parameters are for reference only.