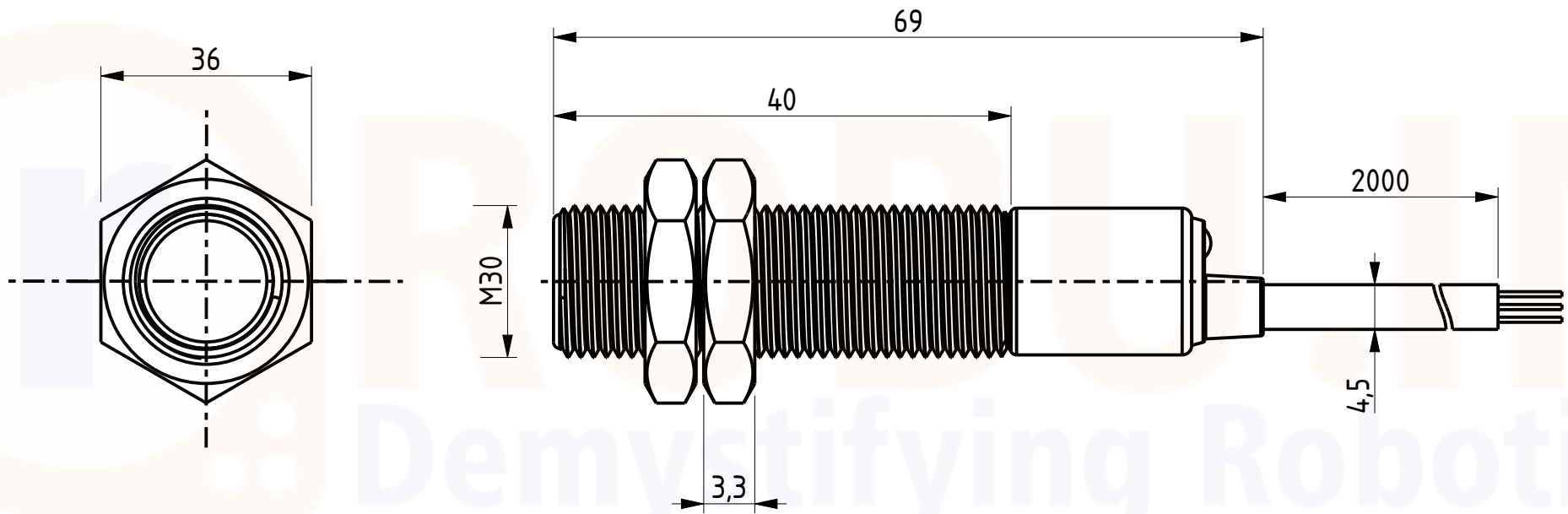


NOTE - DEPENDING ON THE MANUFACTURER, GIVEN DIMENSIONS MAY VARY IN THE RANGE OF $\pm 5\%$



TITLE - ORANGE 15 MM NPN INDUCTIVE PROXIMITY SENSOR RM30 DC-6-36V (SHIELDED)

SCALE - 1:1

ROBU.IN

ALL DIMENSIONS ARE IN MM