

REV	Description	DATE	BY
v2.0	1.Change DB9 to standard interface 2.INT can link to D2 or D3 3.Add a TF card interface 4.Change D0/D1 of Grove Serial to A0/A1 5.Change A4/A5 of Grove I2C to SDA/SCL 6.Change DIP Grove interface to SMD interface 7.Increase ESD Protection	2017.05.26	

Seed Studio

TITLE: CAN-BUS Shield v2.0

CC-BY-SA

Design: weifeng.zeng

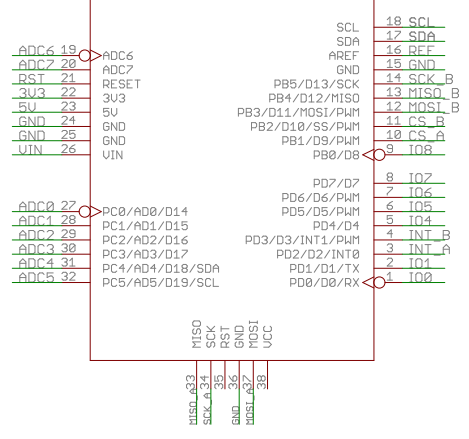
Check:

Date: 2017/6/27 16:22:21

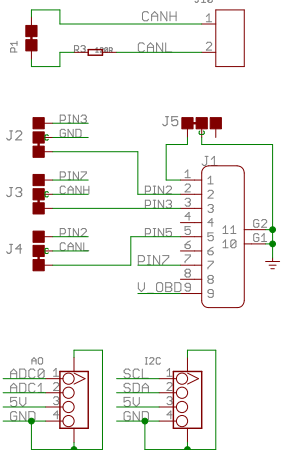
Vision: v2.0

Sheet: 1/2

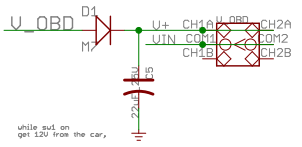
SHIELD CONNECT



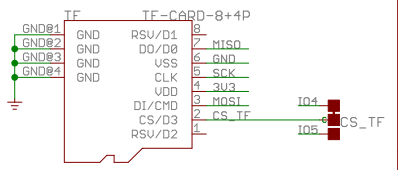
INTERFACE



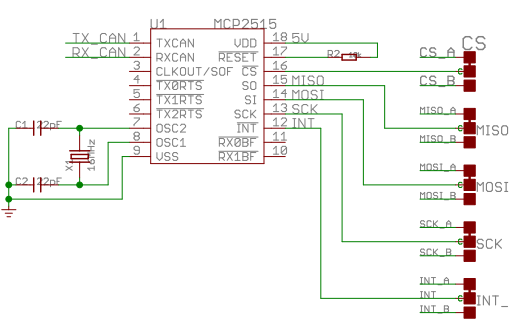
POWER



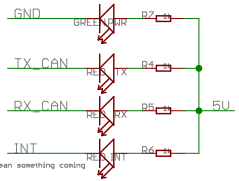
TF\_CARD



CAN\_SPI



LED



Seed Studio

TITLE: CAN-BUS Shield v2.0

CC-BY-SA

Design: weifeng.zeng

Check: v2.0

Date: 2017/6/27 16:22:21

Vision:

Sheet: 1/2

