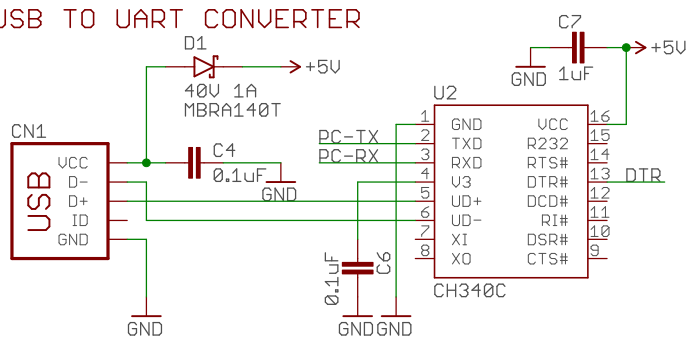
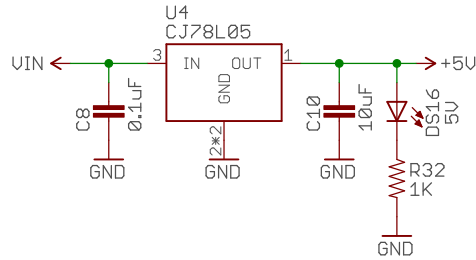


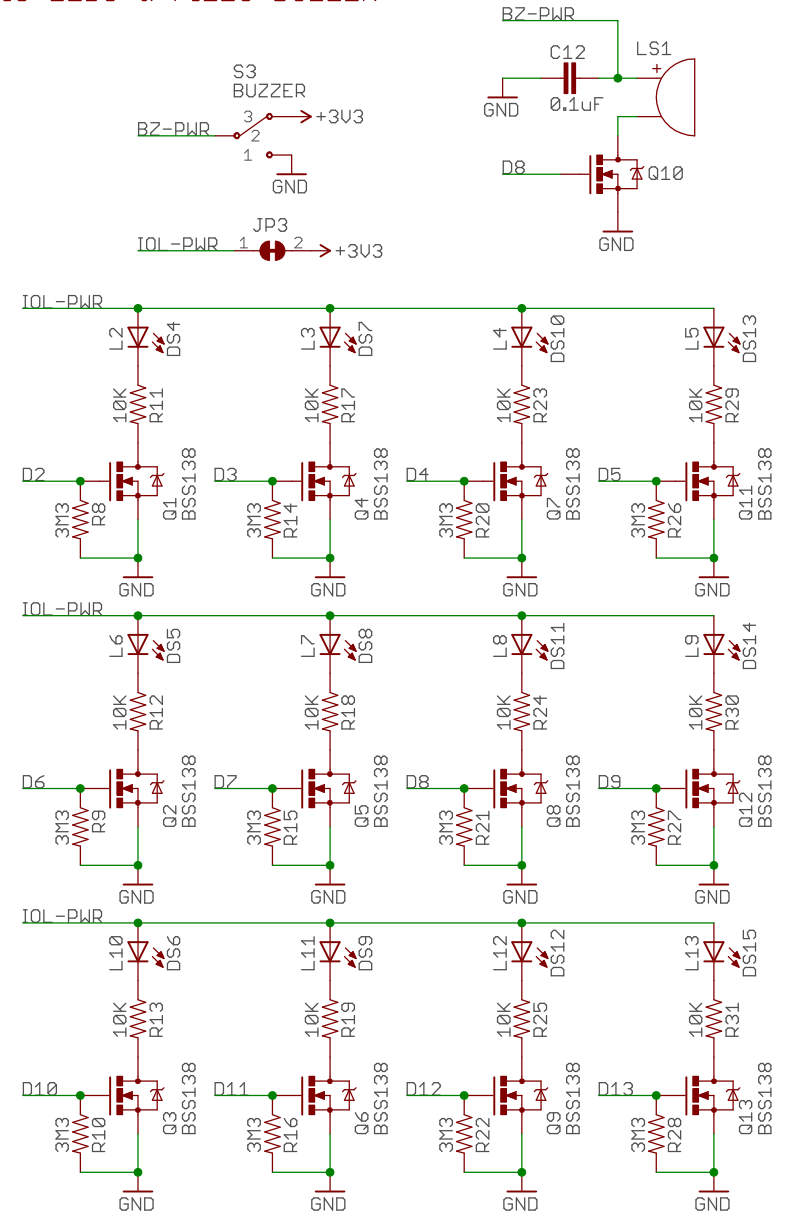
### USB TO UART CONVERTER



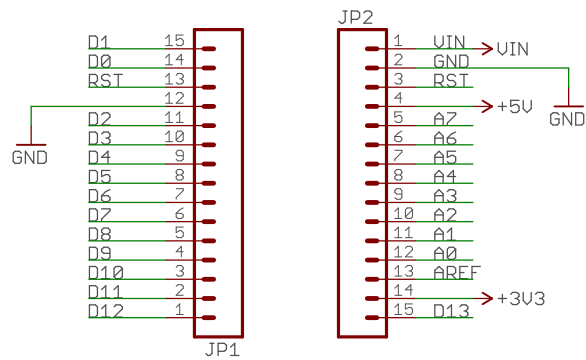
### 5V VOLTAGE REGULATOR



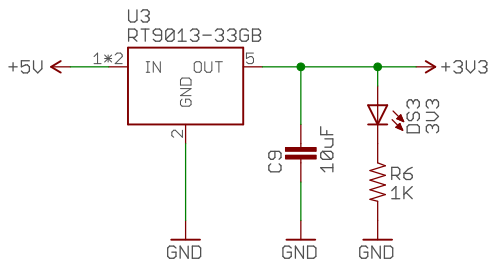
### IO LEDs & PIEZO BUZZER



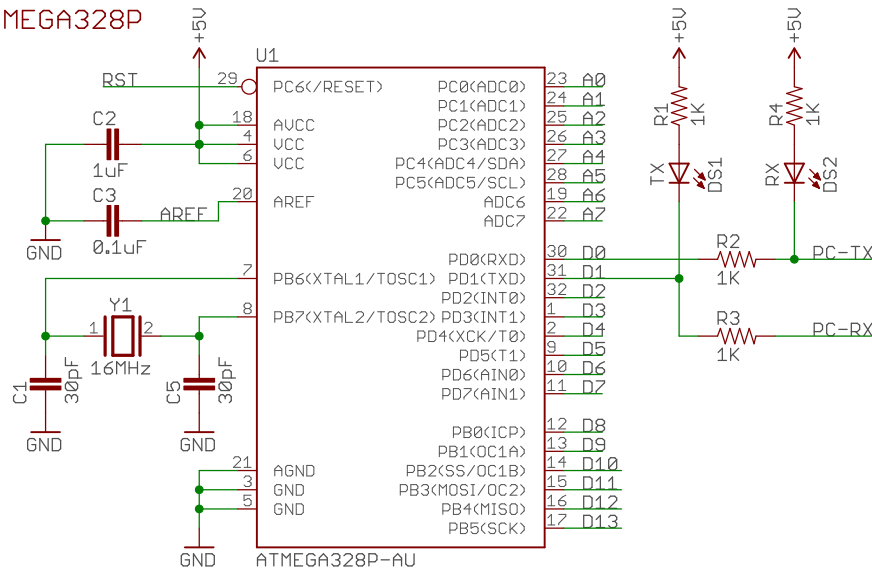
### MALE PIN HEADERS



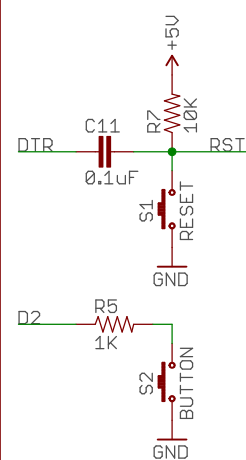
### 3.3V VOLTAGE REGULATOR



### ATMEGA328P



### PUSH BUTTONS



Name: MAKER NANO

Product Code: MAKER-NANO

REV: 1.0.0

Date: 6/16/2020 11:26 AM

Sheet: 1/1