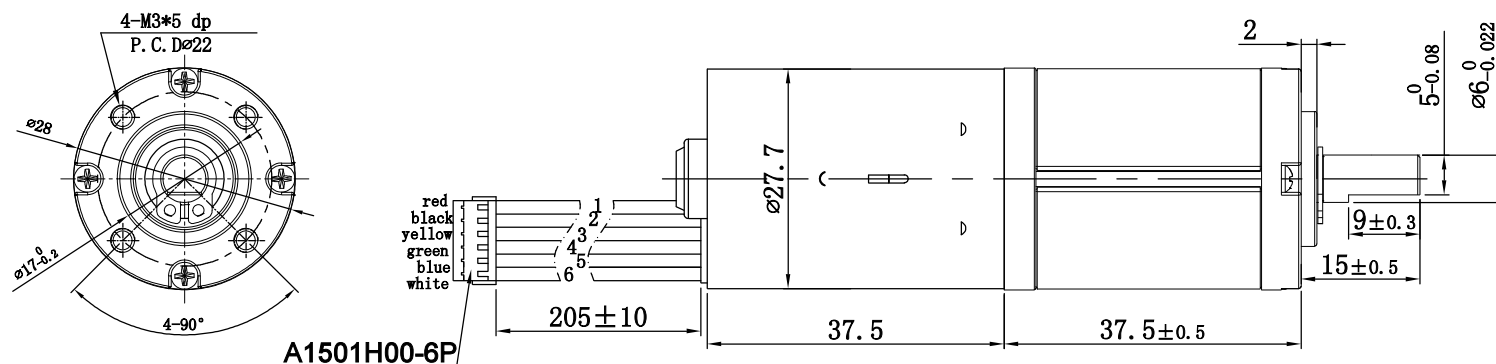


Drawing NO.	PG28A462KBL28Y2460-000Y-2	Model No.	PG28BL28246000-462K	Voltage	24 DC
-------------	---------------------------	-----------	---------------------	---------	-------

Drawing

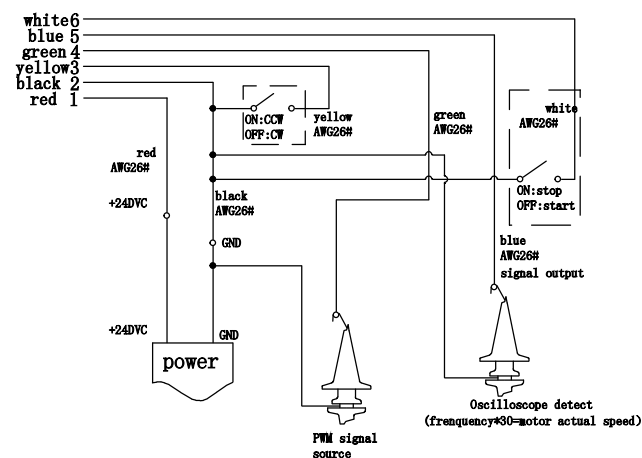


The PWM signal source voltage frequency cycle is adjusted to 20kHz, the input high level is adjusted to 5.0V, the low level is adjusted to 0V, the phase is 0°, the duty cycle is adjusted to 0% for the motor to run at full speed, and the duty cycle to be adjusted to 100% for the motor to stop .

(Customer APP.):

Details

Geared motor specification	
No Load Current (A)	$\leq 0.200$
No Load Speed (r.p.m)	$13 \pm 10\%$
Rated Load Torque(kgf.cm)	23
Rated Current (A)	$\leq 0.500$
Rated Load Speed (r.p.m)	$11 \pm 10\%$
Stall Current (A)	
Stall Torque (kgf.cm)	
Rotation Direction	CW/CCW



Draw

Rev

App.