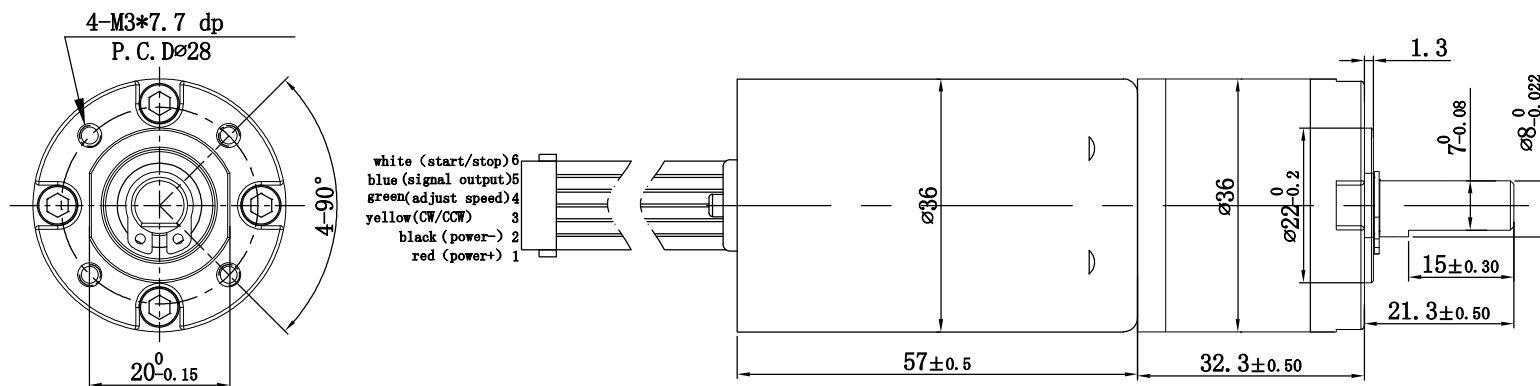


Drawing NO. PG36C26.9KBL36Y2490-000Y-2 Model No. PG36BL36249000-26.9K Voltage 24 DC

Drawing

版次:1.0



Note: The red wire is connected to the power supply "+", the green is connected to the Hall "+", the black wire is connected to the motor and the Hall "-" at the same time, the motor will start.

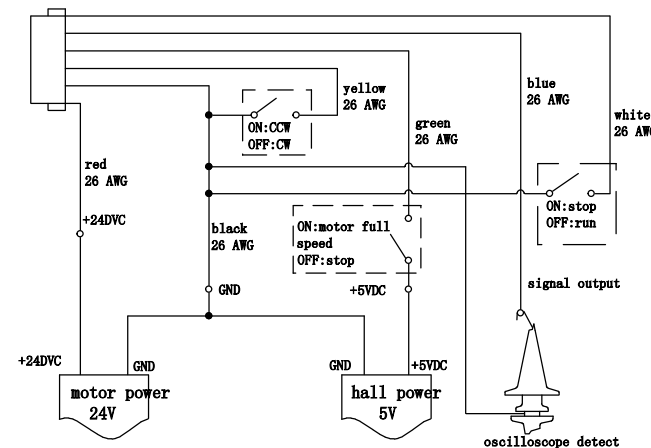
DC PLANET GEARED MOTOR  
TYPE - PG36BL36249000-26.9K  
DC 24 V No. 170823XXXX

客户确认 (Customer APP.):

Details

Geared motor specification	
No Load Current (A)	≤0.500
No Load Speed (r.p.m)	335±10%
Rated Load Torque(kgf.cm)	10
Rated Current (A)	≤2.400
Rated Load Speed (r.p.m)	270±10%
Stall Current (A)	
Stall Torque (kgf.cm)	
Rotation Direction	CW/CCW

电机使用示意图



Draw

Rev

App.