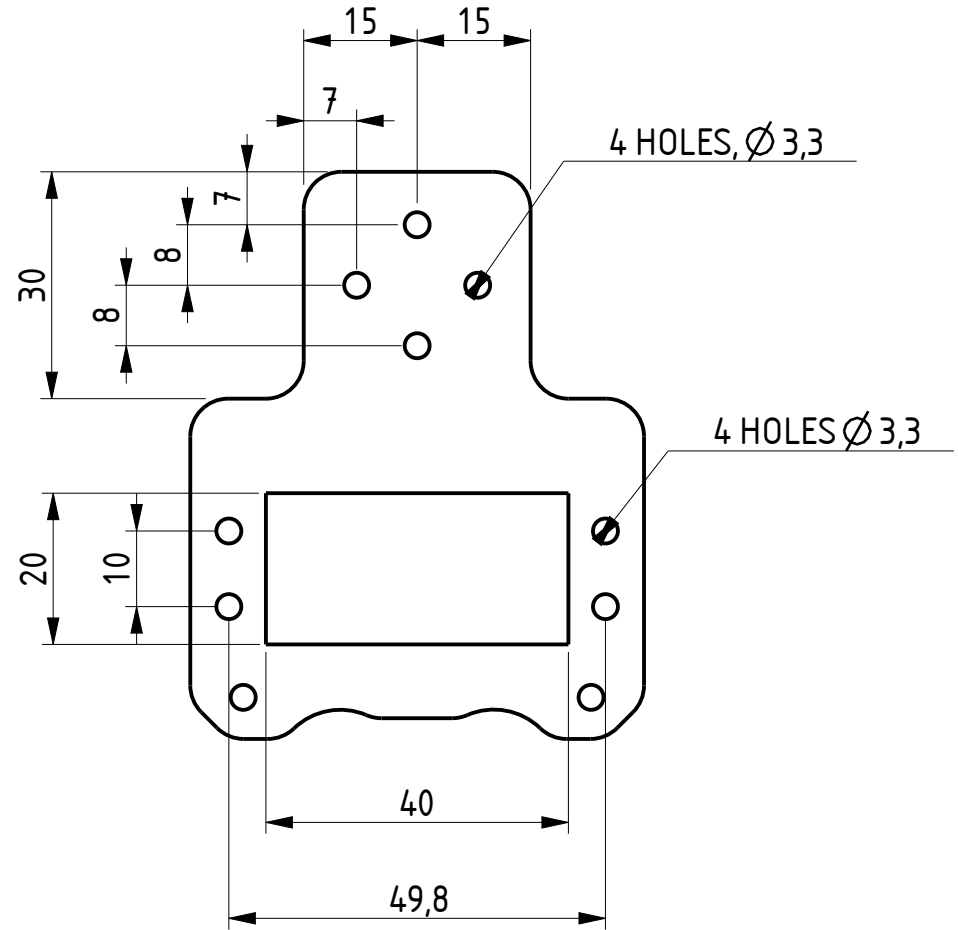
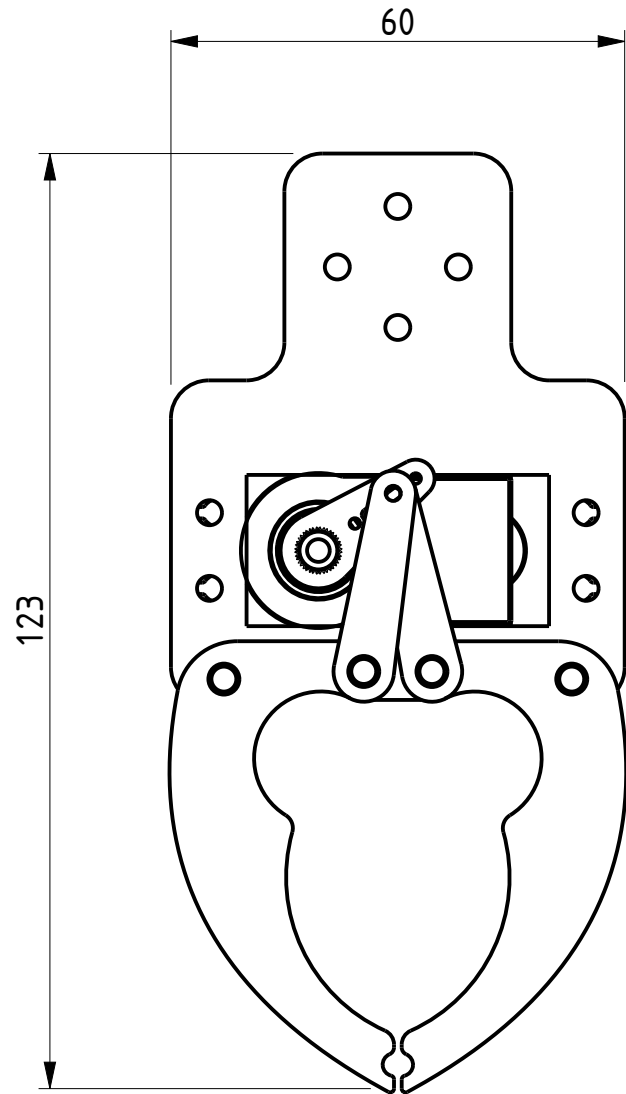


NOTE - DEPENDING ON THE MANUFACTURER, GIVEN DIMENSIONS MAY VARY IN THE RANGE OF $\pm 5\%$



TITLE - MG995 ABS GRIPPER

PART NO. - ROBU.IN

ALL DIMENSIONS ARE IN MM