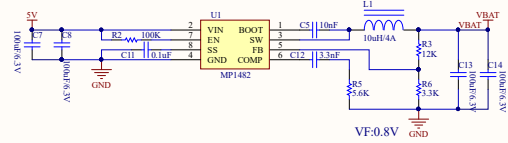
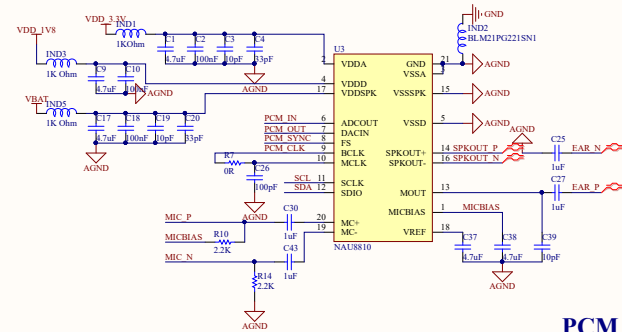


USB to UART



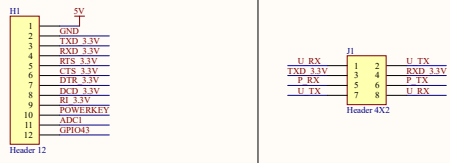
Power



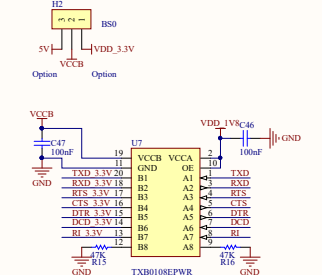
earphone

PCM

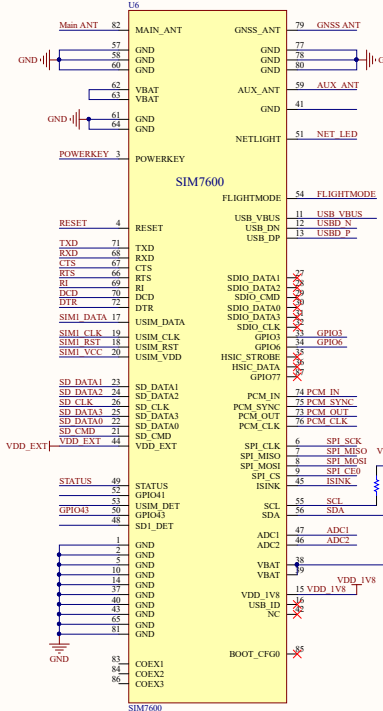
音频IC需要使用3脚电源，否则干扰太大。



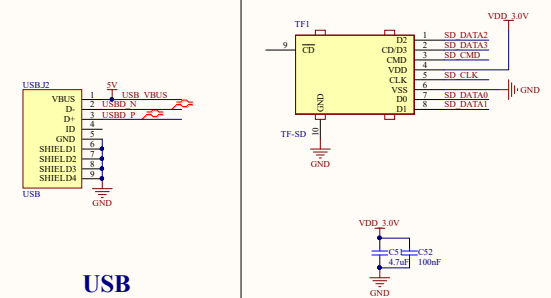
UART JMP



UART



SIM7600



USB

SD_CARD

Indicator light



NET

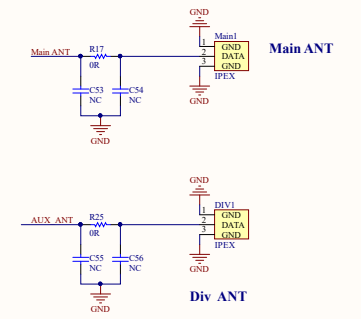
PWR



按下开机

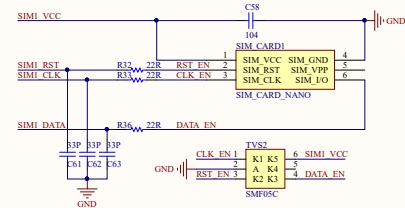
KEY

Antenna

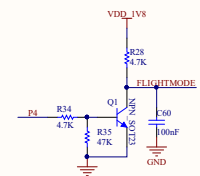


Div ANT

GSSANT



SIM_CARD



Flight mode

BCM	wPi	3.3V	p3	5V	wPi	BCM
2	8	P_SDA	1	4	4V	
3	9	P_SCL	5	6	GND	
4	7	PA	10	11	P_TX	15 14
17	0	GND	9	10	P_RX	16 15
27	2	P17	11	12	P_TX	1 18
22	3	P27	13	14	P_RX	4 23
9	13	P_MISO	15	16	P_CS	5 24
10	12	P_MOSI	17	18	GND	6 25
11	14	P_SCK	19	20	P_CEO	10 8
5	21	P6	21	22	P_CE1	11 7
13	22	P13	23	24	GND	
19	24	P19	33	34	P16	27 16
26	25	GND	35	36	P20	28 20
			37	38	P21	29 21
			39	40		

Raspberry Interface



SIM7600X 4G HAT