

Mini Liquid pumps with high precision

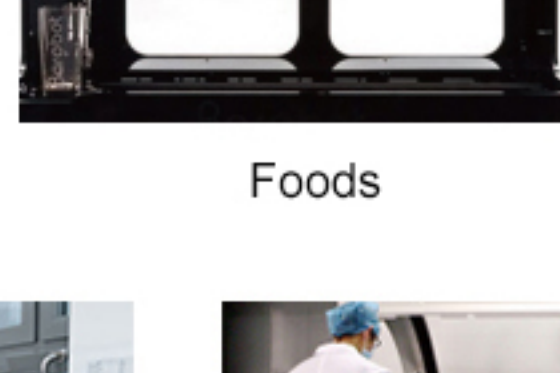
KCS peristaltic pump



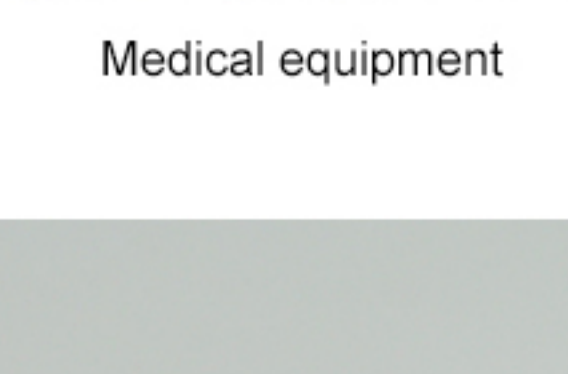
Applications



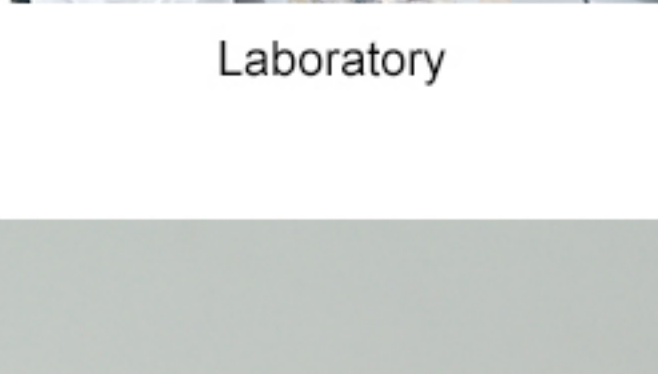
Water Quality Analysis



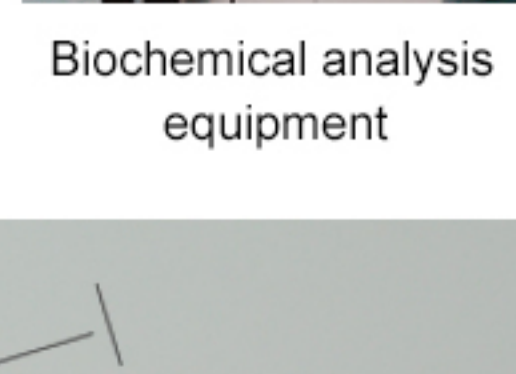
Foods



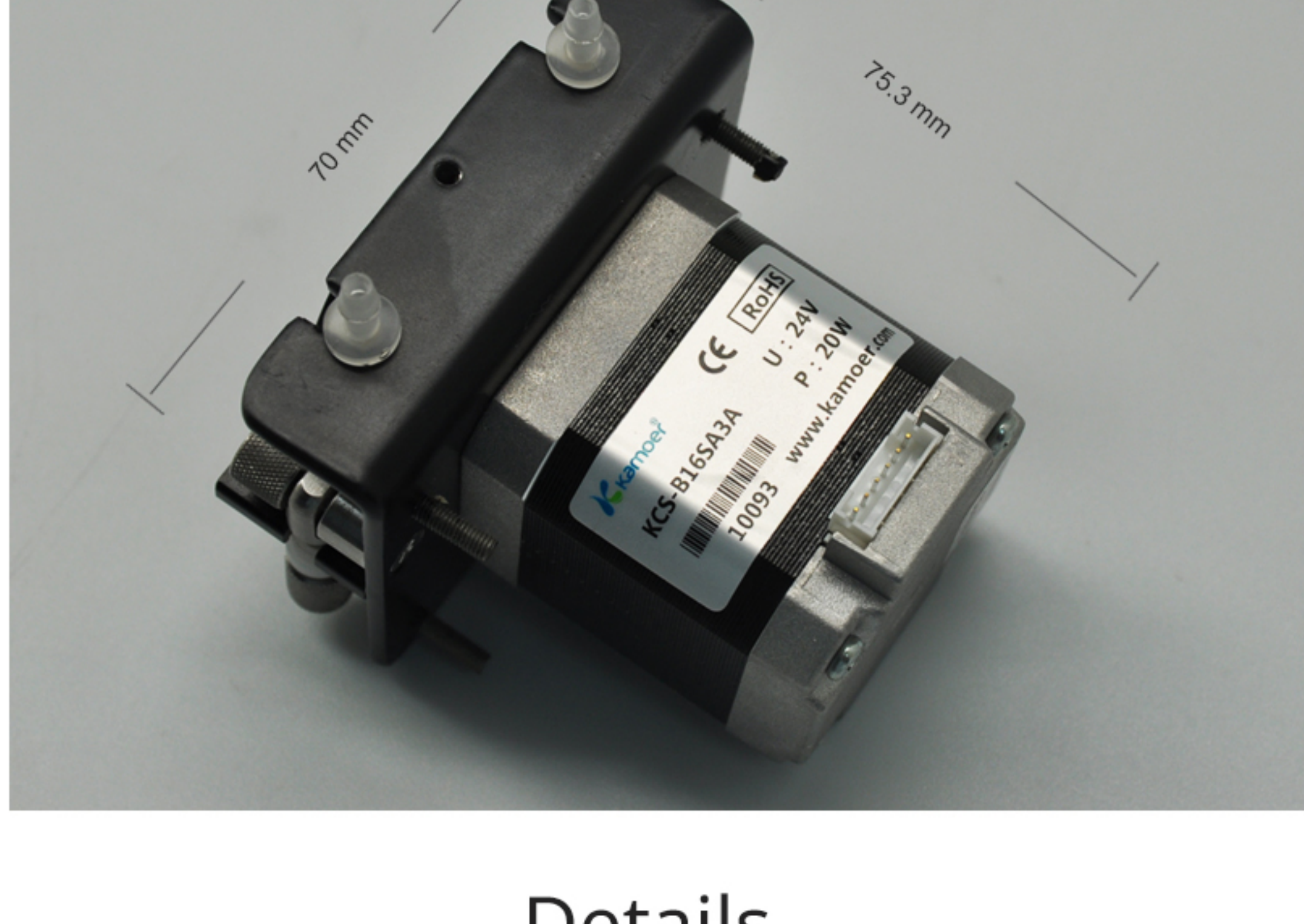
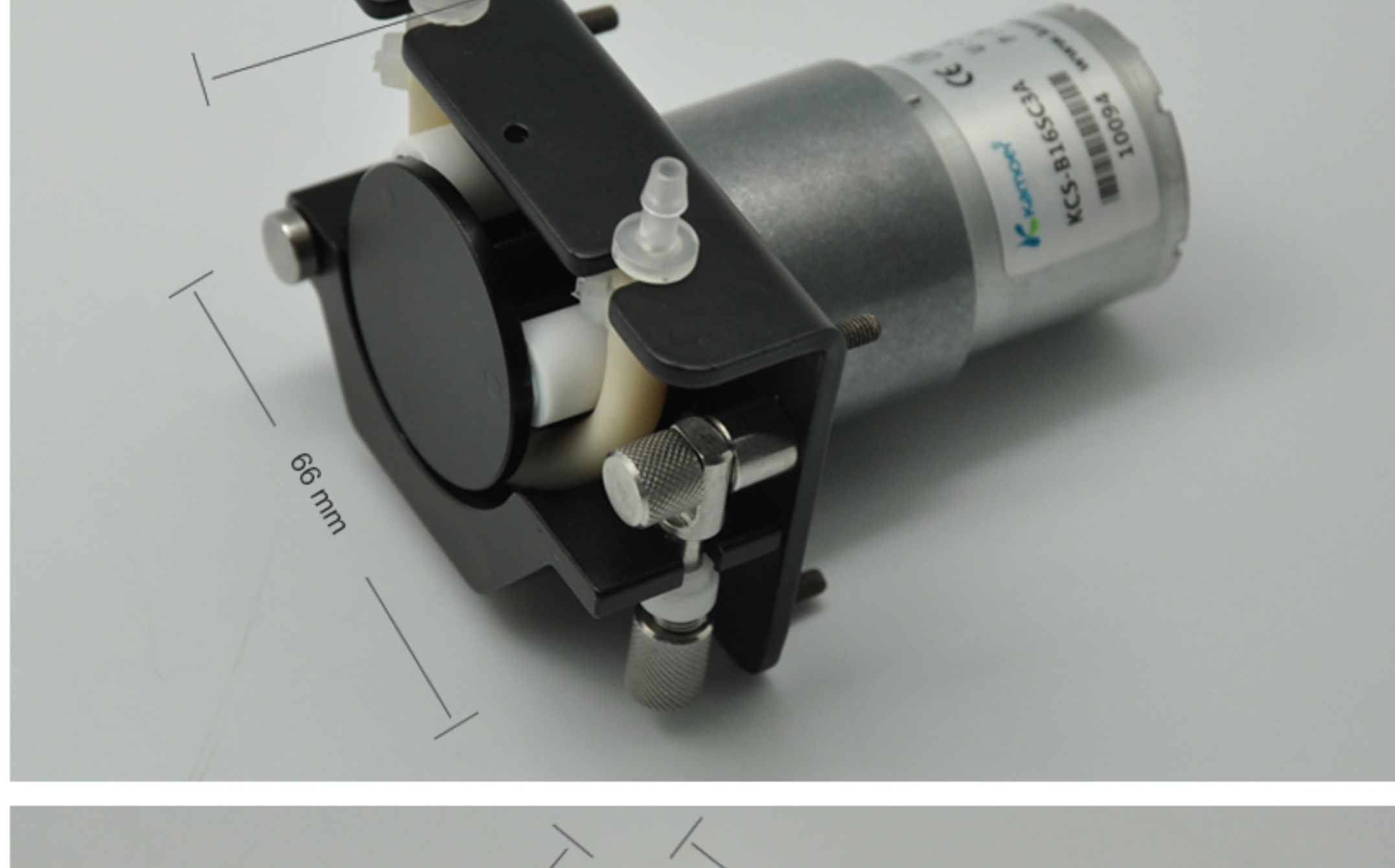
Medical equipment



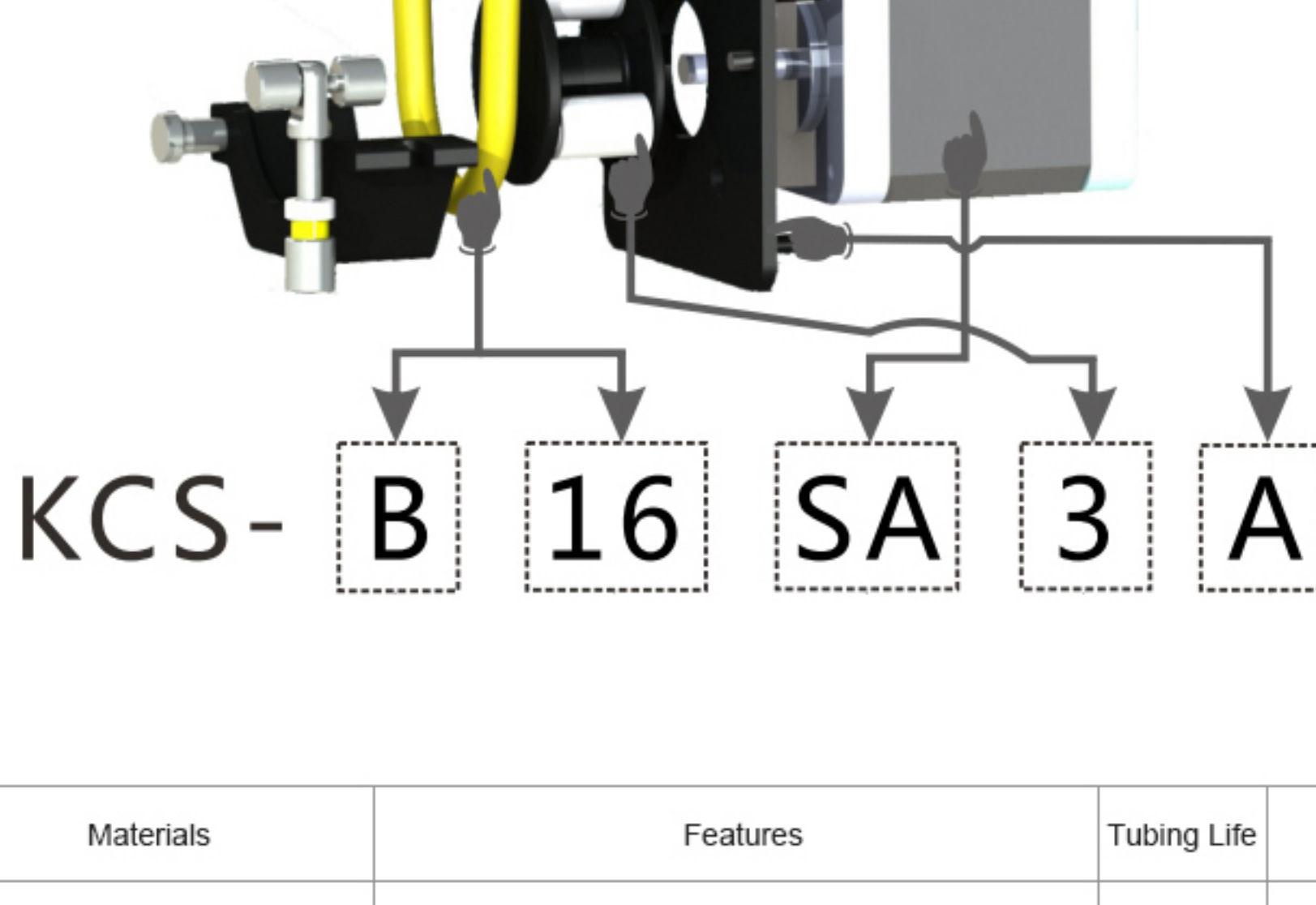
Laboratory



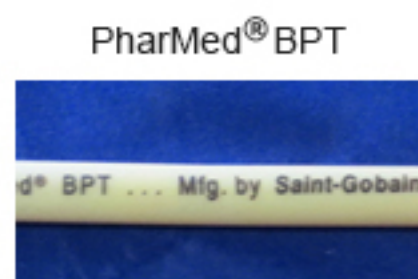
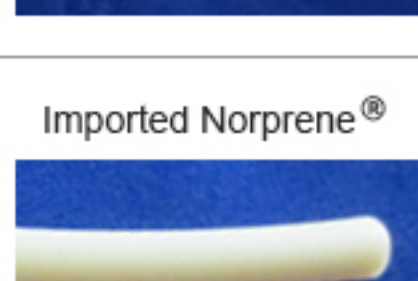
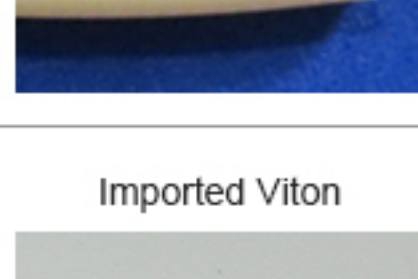

Biochemical analysis equipment



Details



1. Materials

Tubes	Materials	Features	Tubing Life	Size
S		Competitive price, Resistant to weak acid and base, The softest of tube types, Most commonly used in water pump	≥200h	175mm (49.5mm exposed)
B		Non-cytotoxic and non-Hemolytic effect, highly resistant to ozone and UV rays, extreme resistant to the acid and base and heat, anti-aging, antioxidant, long service time, Temperature range from -51°C - 132°C	≥1000h	135mm (29.5mm exposed)
N		Up to the standard of FDA, suitable for food, resistant to hot temperature, ozone, acid and alkali, long life span. Working temperature range -59°C to 135°C	≥1000h	
V		Anti-high temperature, anti-oil, excellent resistance to chemical corrosive and ozone. Poor resistance to low temperature and radiation. Long life.	≥1000h	

2. Tube size

3. DC Motor

Code	13	14	19	16	40	02	01	00		
ID*OD	0.8 X 4.0	1.6 X 4.8	2.4 X 5.6	3.2 X 6.4	4.0 X 7.2	1.65 X 3.35	2.54 X 4.24	2.79 X 4.49		
Material	S	B/N/S	B/S	B/N/S	S	V	V	V		
Flow Rate	3 rollers	SA	18	54	117	190	300	65	100	130
		24V	16	47	95	135	207	/	/	/
	6 rollers	SB	15	54	117	150	300	32	70	80
		12V	16	47	95	135	207	/	/	/
	3 rollers	SC	5.5	18	36	61	90	21	44	52
		24V	4	13.5	25	40	60	/	/	/
	6 rollers	SD	4.5	16	32	56	90	21	41	48
		12V	4	13.5	27	45	60	/	/	/

Tips: SA/SB stepper motor SC/SD DC motor

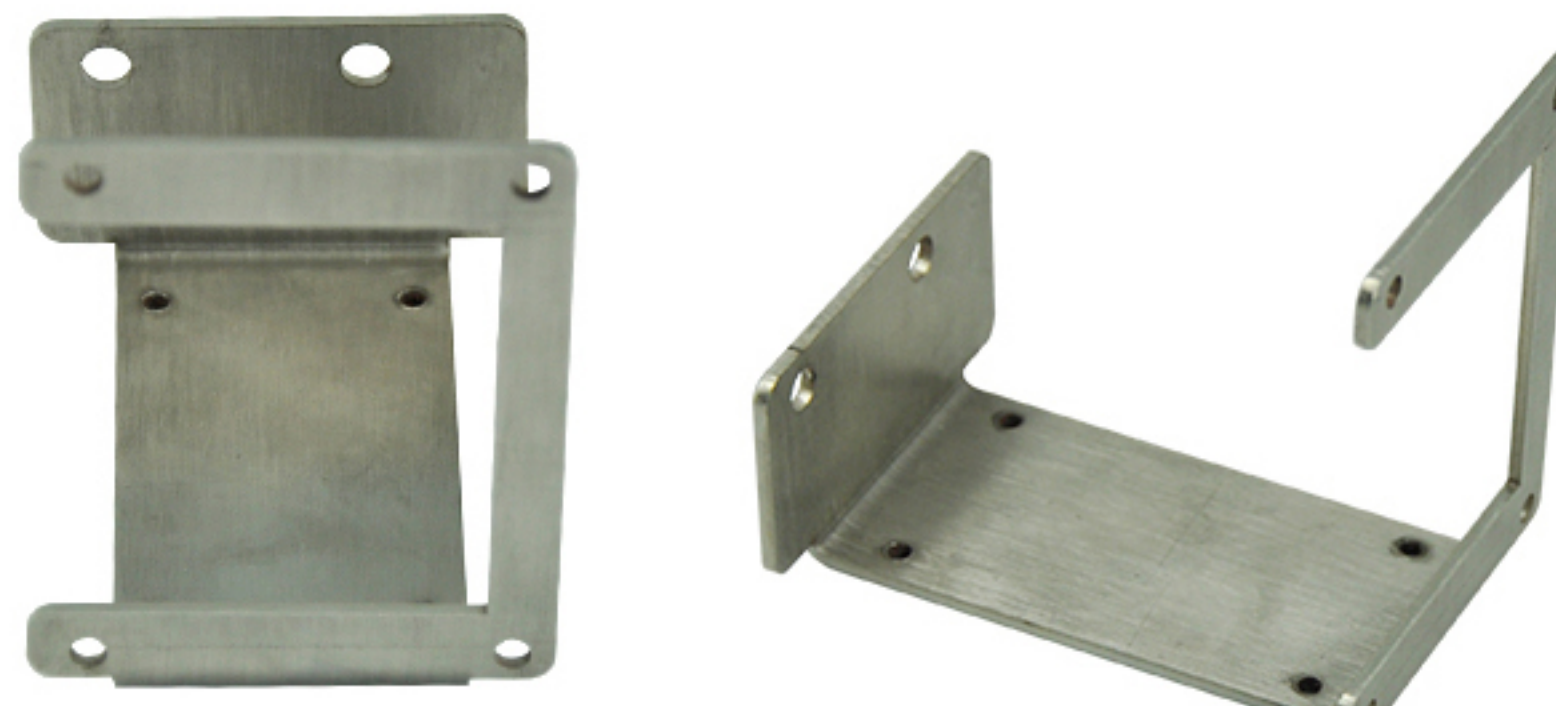
4. Wire tips

Phase line	Color	
Phase A	A+	Red
	A-	Yellow
Phase B	B+	Brown
	B-	Orange

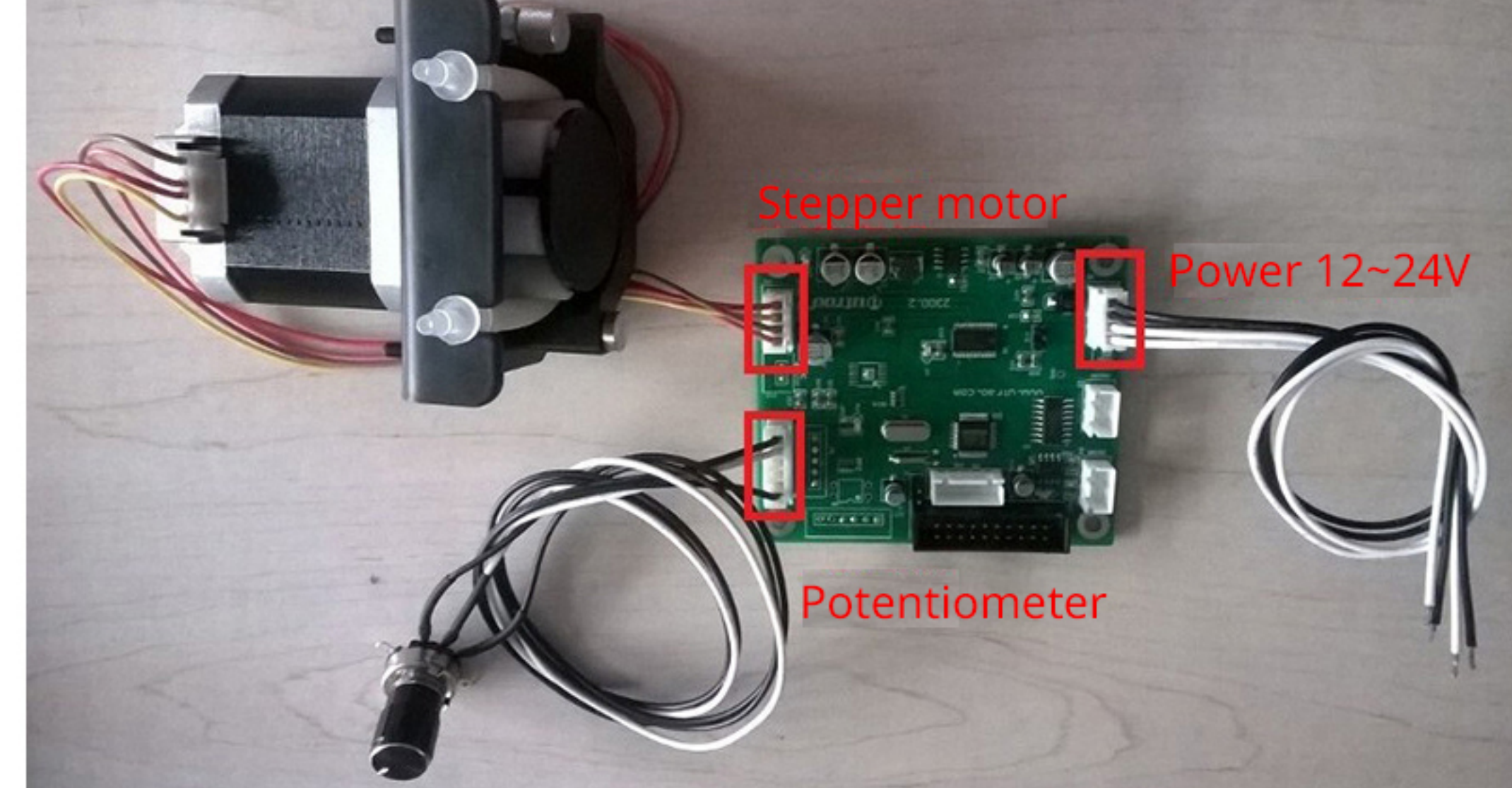
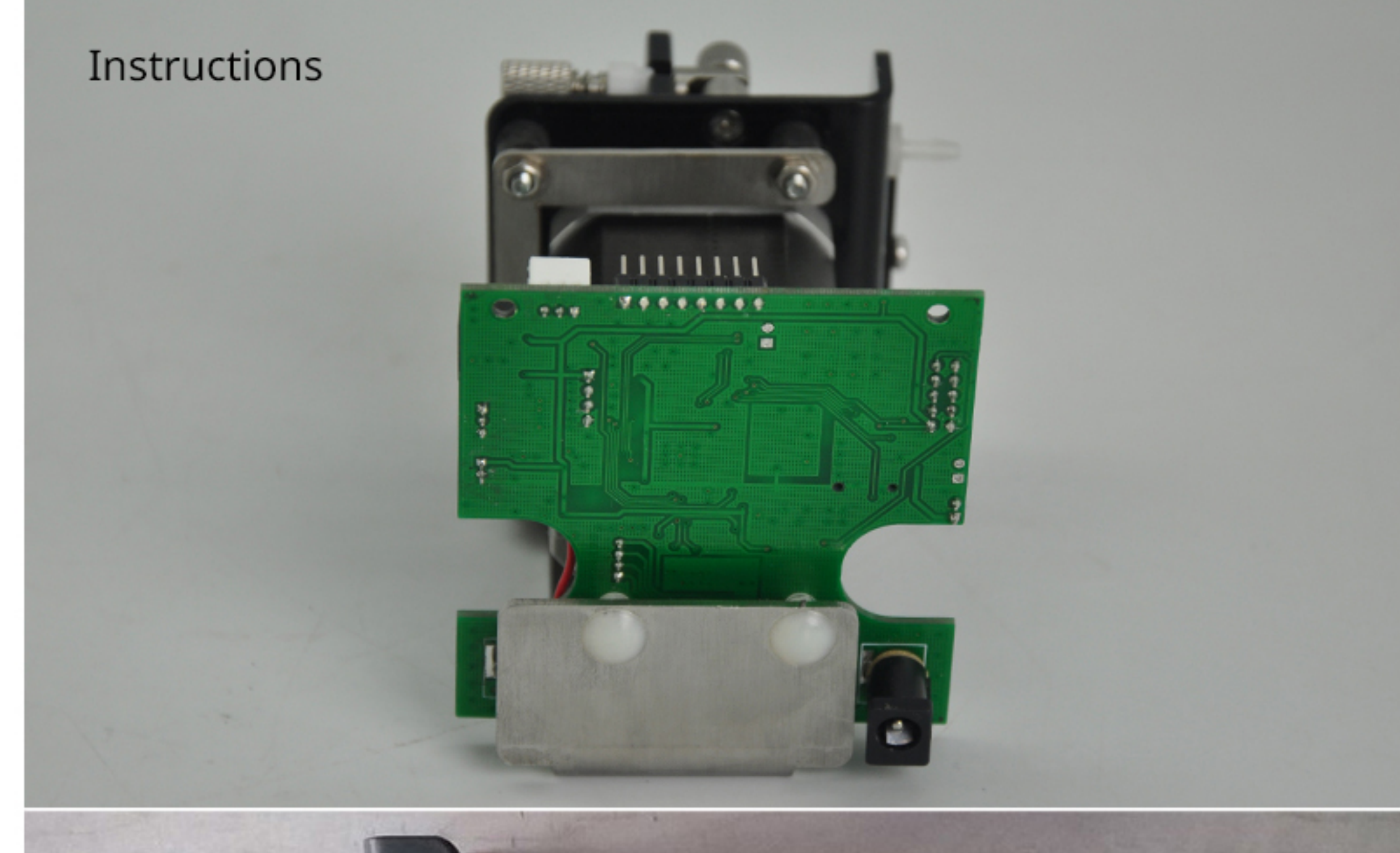


Annex (Need to buy separately)

Effect: damping

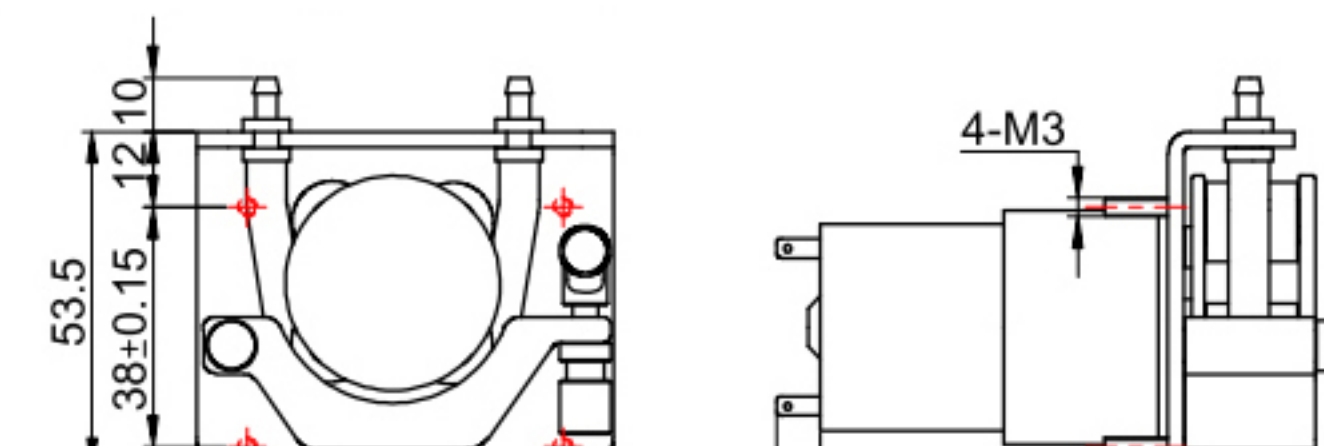


Instructions

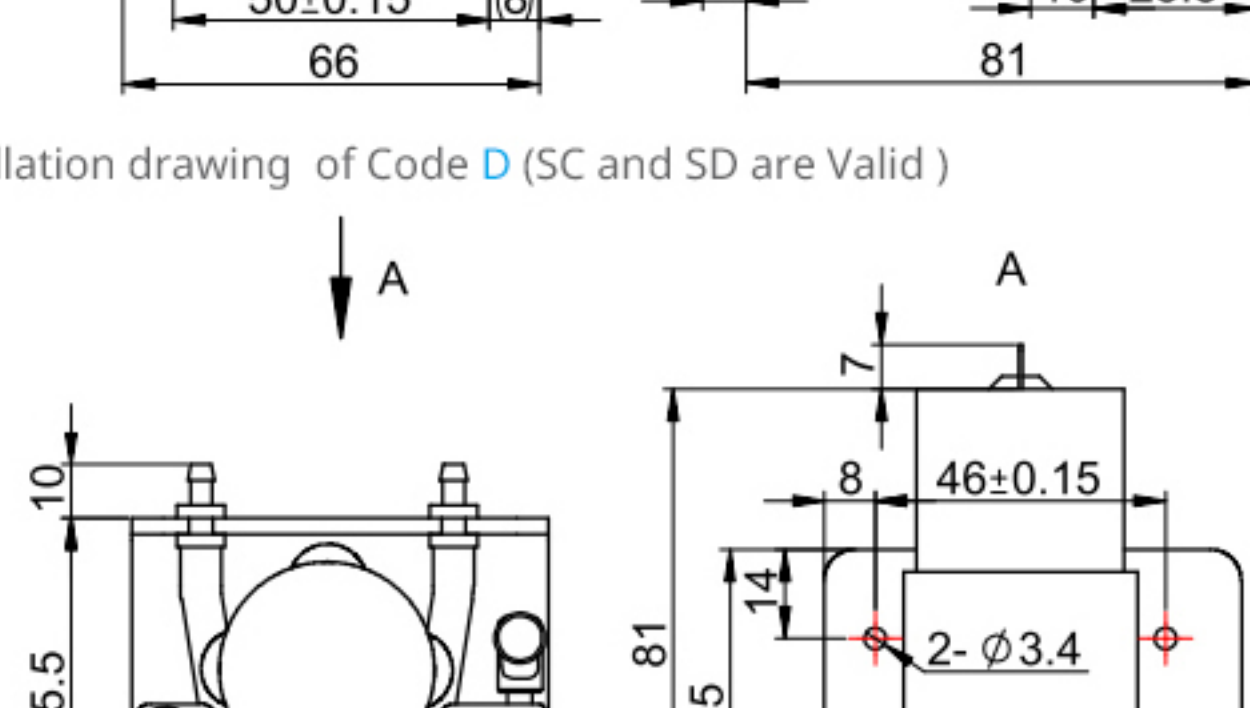


Size

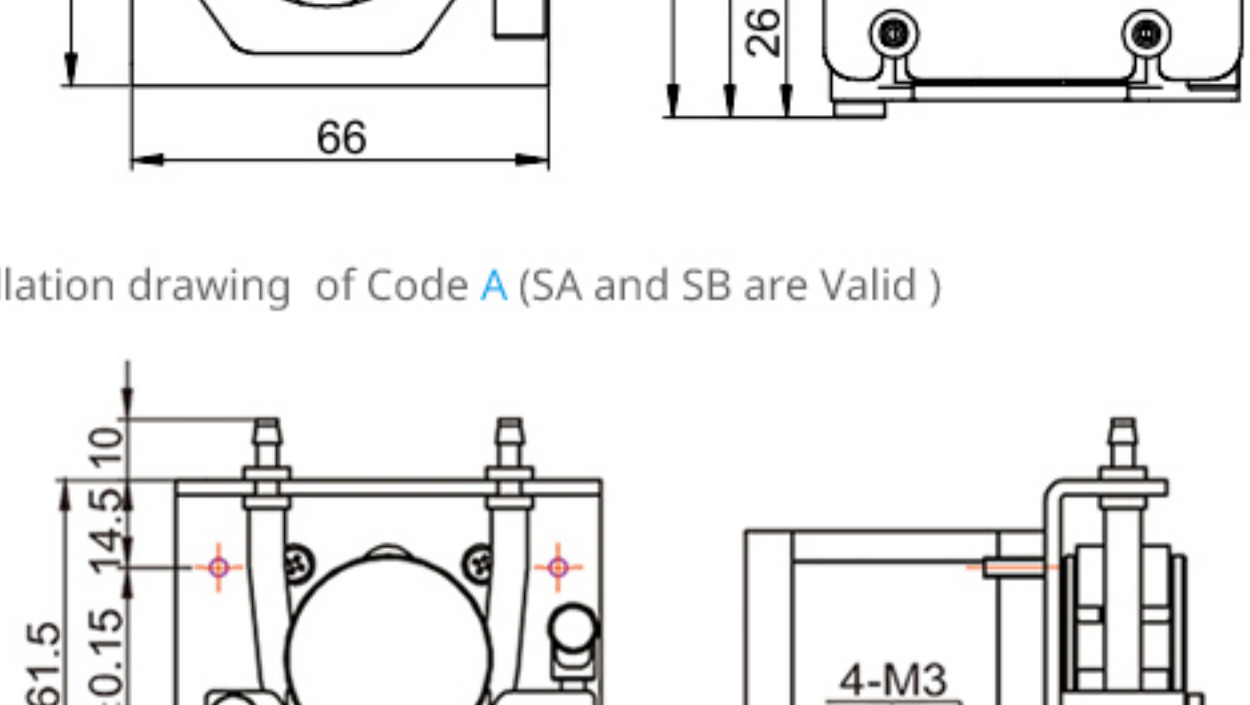
Installation drawing of Code C (SC and SD are Valid)



Installation drawing of Code D (SC and SD are Valid)



Installation drawing of Code A (SA and SB are Valid)



Installation drawing of Code B (SA and SB are Valid)

