

Double pump head, double stability

KPP2 micro peristaltic pump



Applications



Laboratory



Coding

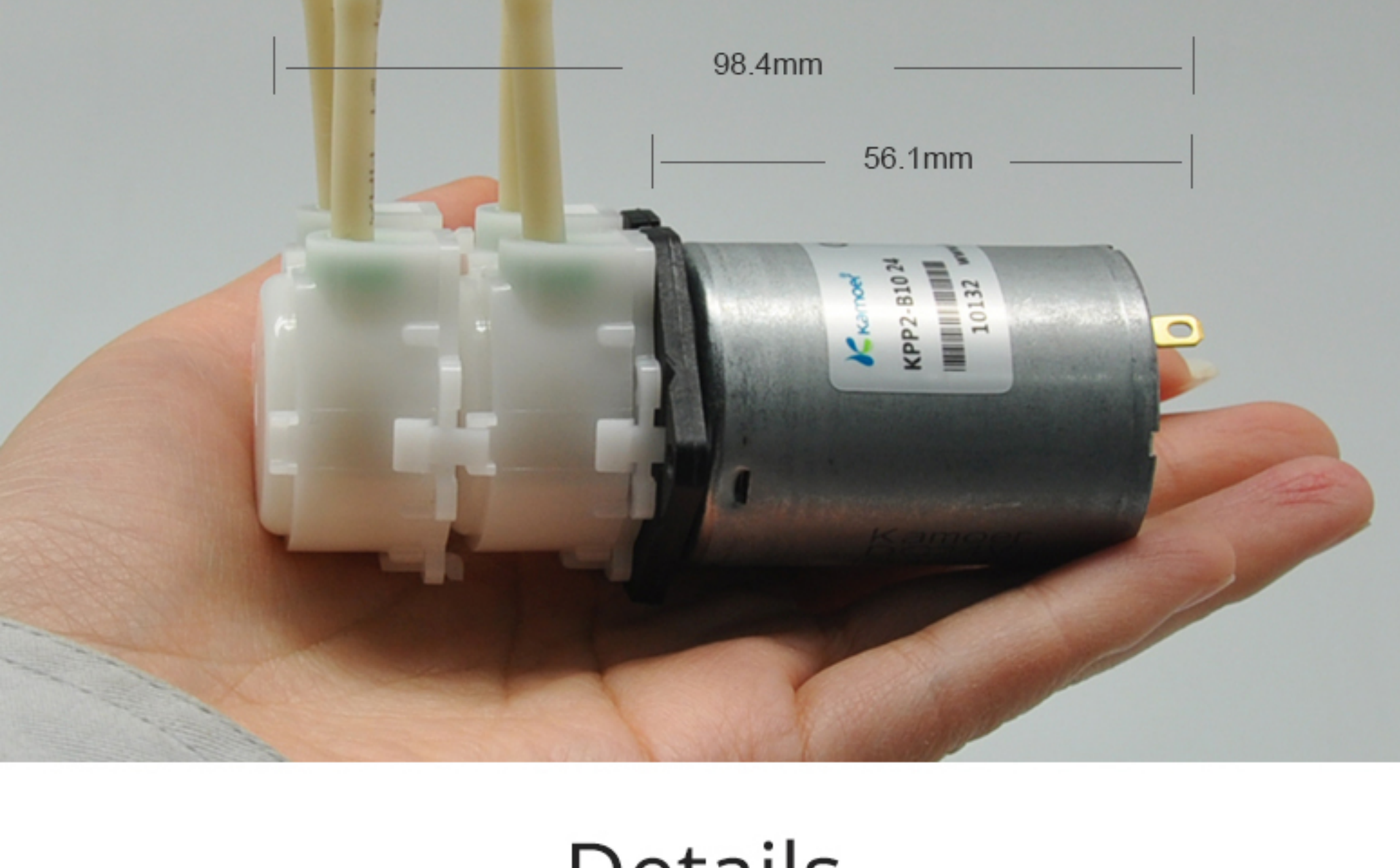


Environmental protection



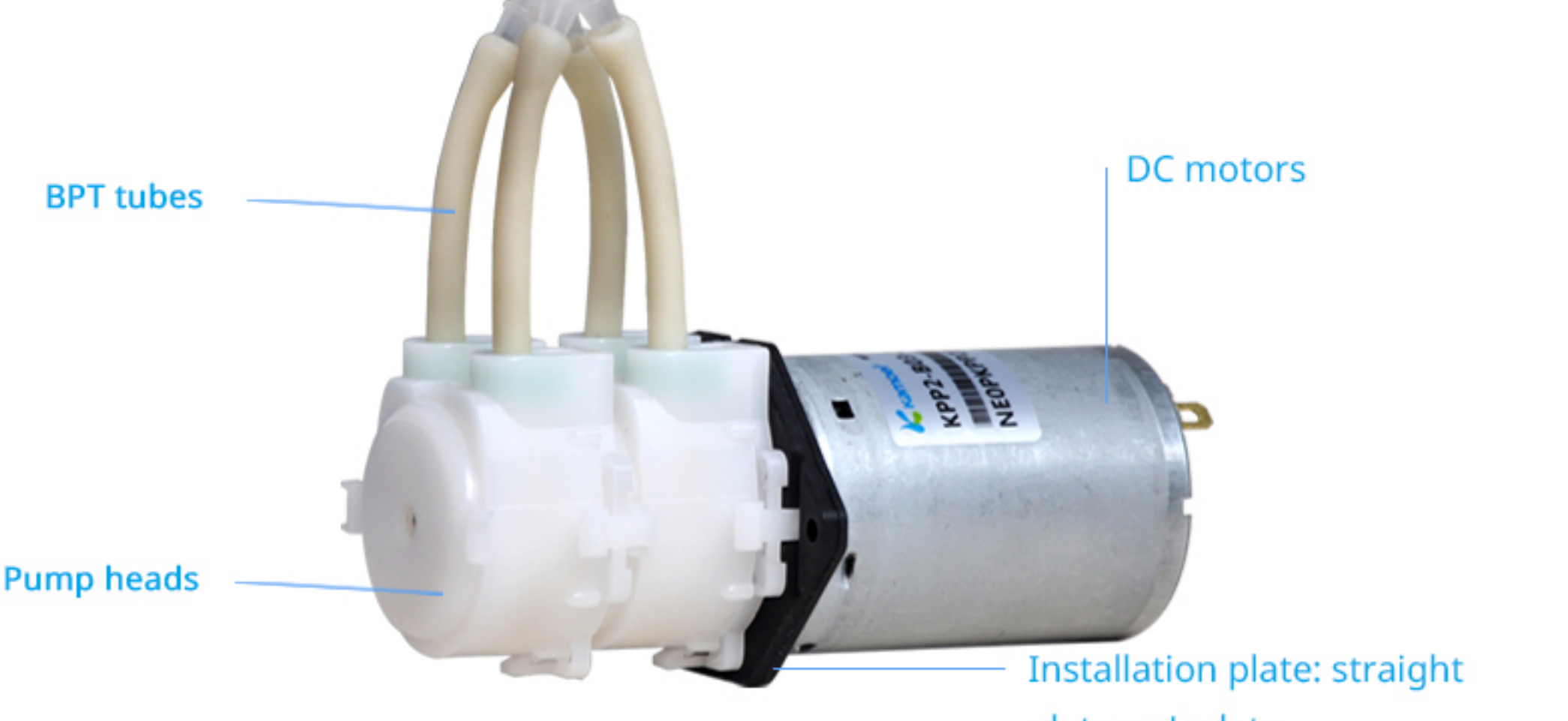
Equipment

Small yet powerful



Details

Pump body and accessories



Basic parameters

- Connection Type: In parallel & In series
- DC motor: 12V/24V
- Flow rate range: 12.5~155ml/min
- Tube: PharMed BPT tube
- Pulse: 3 rollers, moderate pulse
- Pump Head: POM material (acid and alkali resistant)



Selection Guide

1.Flow rate
2.Voltage

Code	Material	Model	Voltage	Current	Single pump flow	Double pump flow
KPP2-B04-24V	PharMed®BPT	1×3.2 (mm)	24V	0.15-0.27 (A)	≥ 12.5 (ml/min)	≥ 25 (ml/min)
KPP2-B06-24V		2×4 (mm)			≥ 40 (ml/min)	≥ 80 (ml/min)
KPP2-B10-24V		3×5 (mm)			≥ 77.5 (ml/min)	≥ 155 (ml/min)
Code	Material	Model	Voltage	Current	Single pump flow	Double pump flow
KPP2-B04-12V	PharMed®BPT	1×3.2 (mm)	12V	0.3-0.5 (A)	≥ 12.5 (ml/min)	≥ 25 (ml/min)
KPP2-B06-12V		2×4 (mm)			≥ 40 (ml/min)	≥ 80 (ml/min)
KPP2-B10-12V		3×5 (mm)			≥ 77.5 (ml/min)	≥ 155 (ml/min)

3.Mounting plate
Plate choice: L type/ Straight plate

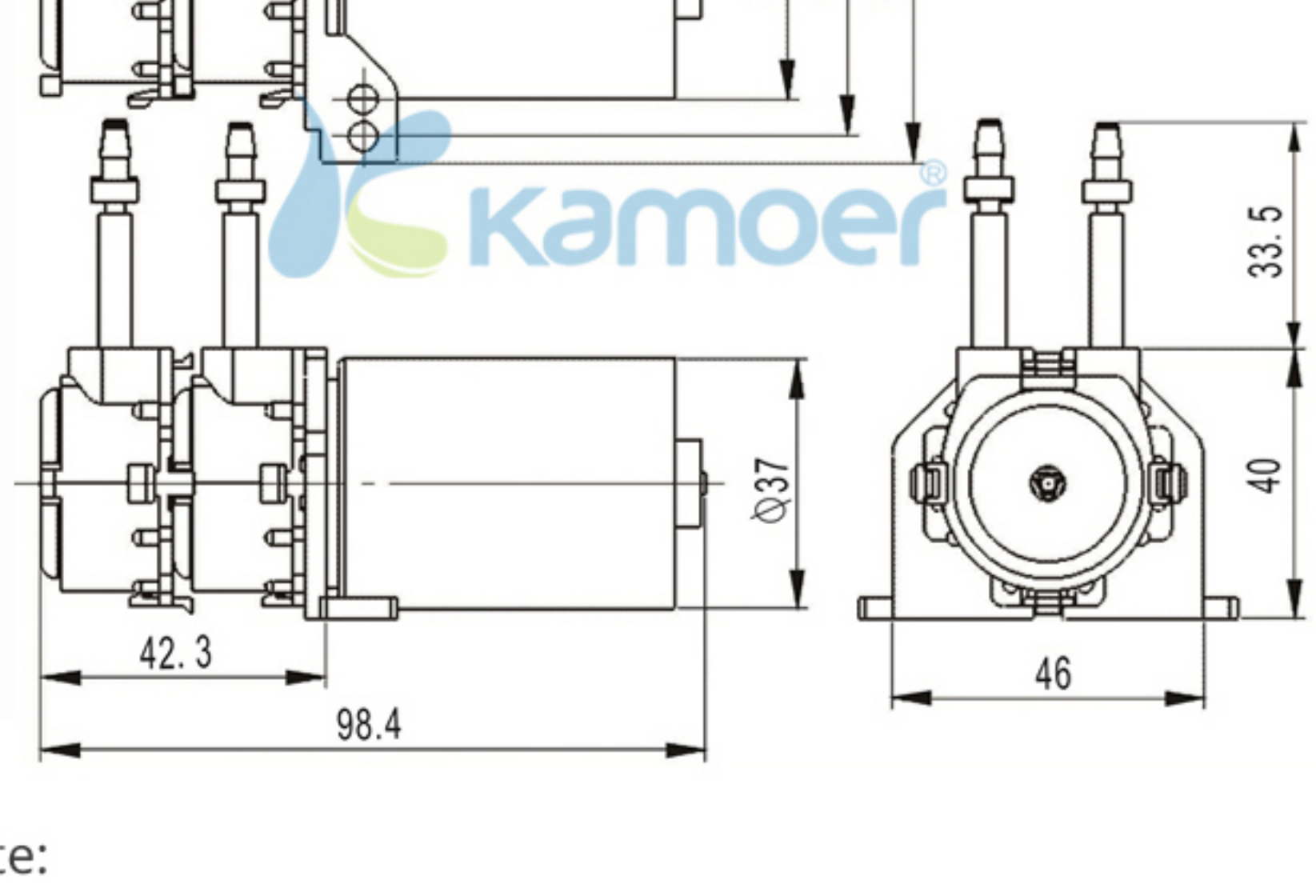


General Specification

Recommended installation height	2 meter (6.562ft.)max (water suction)
Environment temperature range	0-40°C (0 to 104°F) (Note: Freezing must be prevented)
Ambient humidity range	<80% RH
Certifications & Approvals	ISO9001, CE, RoHS

Size

Straight plate:



L-plate:

