

Features

- Surface Mount 3 mm Square Single-Turn Cermet / Sealed
- Compatible with surface mount manufacturing processes
- Rotor stop for "in-circuit" adjustment
- 100 cycle rotational and seal life
- Patent #5043695 assembly for seal integrity
- Plastic housing for RF applications
- RoHS compliant* - see [processing information](#) on lead free surface mount trimmers

3313 - 3 mm Trimming Potentiometer

Electrical Characteristics

Standard Resistance Range 10 ohms to 2 megohms
 (see standard resistance table)
 Resistance Tolerance $\pm 20\%$ std.
 End Resistance 1 % or 3 ohms max.
 (whichever is greater)
 Contact Resistance Variation 3 % or 3 ohms
 Adjustability
 Voltage Divider $\pm 0.1\%$
 Rheostat $\pm 0.2\%$
 Resolution Infinite
 Insulation Resistance 500 vdc.
 100 megohms min.
 Dielectric Strength
 Sea Level 500 vac
 70,000 Feet 350 vac
 Adjustment Angle 220° nom.

Environmental Characteristics

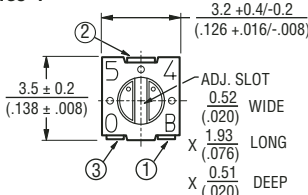
Max. Soldering Exposure $260^\circ\text{C}/5$ seconds
 Power Rating (200 volts max.)
 70°C 0.125 watt
 125°C 0 watt
 Operating Temp. Range -55°C to $+125^\circ\text{C}$
 Temperature Coefficient
 ≤ 100 ohms ± 150 ppm/ $^\circ\text{C}$;
 > 100 ohms ± 100 ppm/ $^\circ\text{C}$
 Seal Test 85°C Fluorinert†
 Humidity MIL-STD 202, Method 106
 (no vibration) TRS $\pm 3\%$;
 IR 10 megohms
 Vibration 20 G TRS $\pm 1\%$; VRS $\pm 1\%$
 Shock 100 G TRS $\pm 1\%$; VRS $\pm 1\%$
 Load Life 1000 hours
 @ 70°C Rated Power; TRS $\pm 3\%$
 Rotational Life 100 cycles TRS $\pm 3\%$
 Thermal Shock 5 cycles
 TRS $\pm 2\%$; VRS $\pm 1\%$

Physical Characteristics

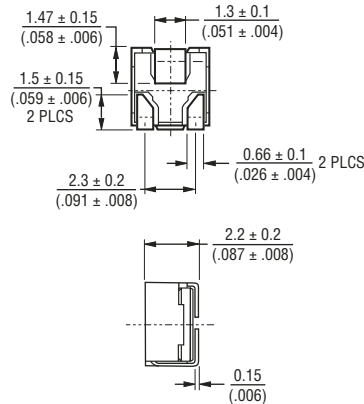
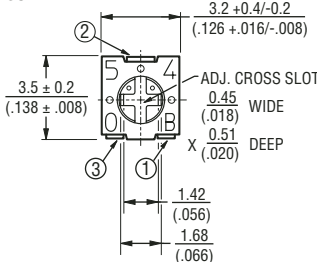
Mechanical Angle 250° nom.
 Torque 50 g-cm max.
 Stop Strength 200 g-cm min.
 Pushover Strength ("S" only)
 1.6 Kilograms (3.5 lbs) minimum
 Flammability U.L. 94V-0
 Weight Approx. 0.01 oz.
 Marking Resistance code
 and date code
 Wiper 50 % (Actual TR) $\pm 10\%$
 Standard Packaging
 J Style 1000 pcs./7" reel
 S Style 200 pcs./7" reel
 Adjustment Tool H-91

Product Dimensions

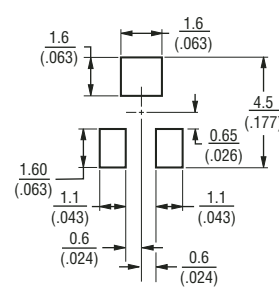
3313J-1



3313J-2

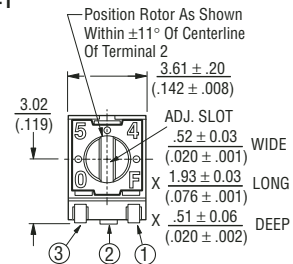


RECOMMENDED LAND PATTERN

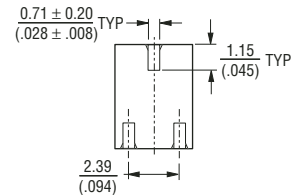
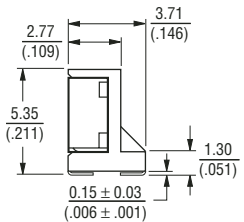
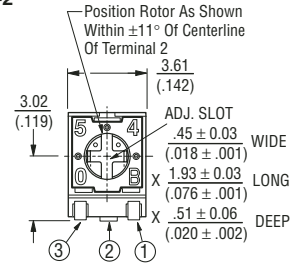


DIMENSIONS: $\frac{\text{MM}}{(\text{INCHES})}$
 TOLERANCES: $\pm \frac{0.25}{(.010)}$ EXCEPT WHERE NOTED

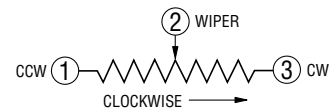
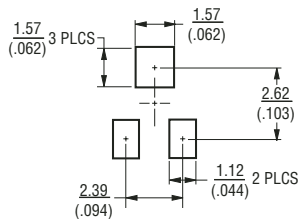
3313S-1



3313S-2



RECOMMENDED LAND PATTERN



*RoHS Directive 2002/95/EC Jan 27 2003 including Annex.

†"Fluorinert" is a registered trademark of 3M Co.

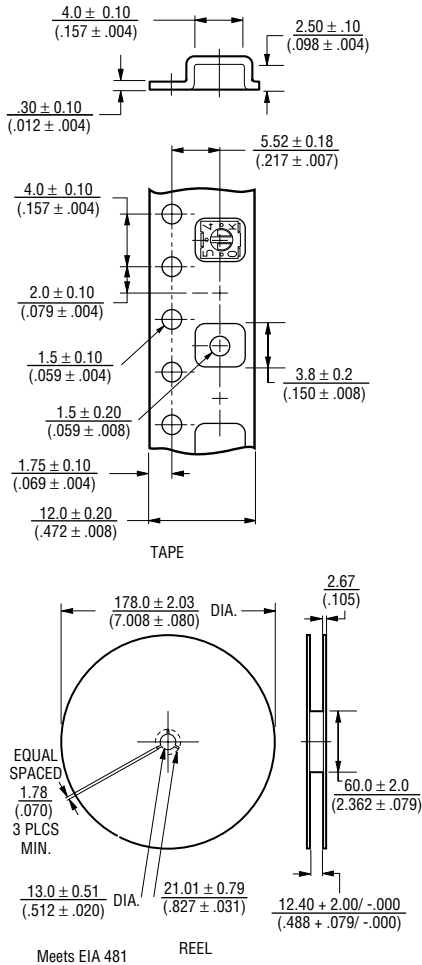
Specifications are subject to change without notice.

Customers should verify actual device performance in their specific applications

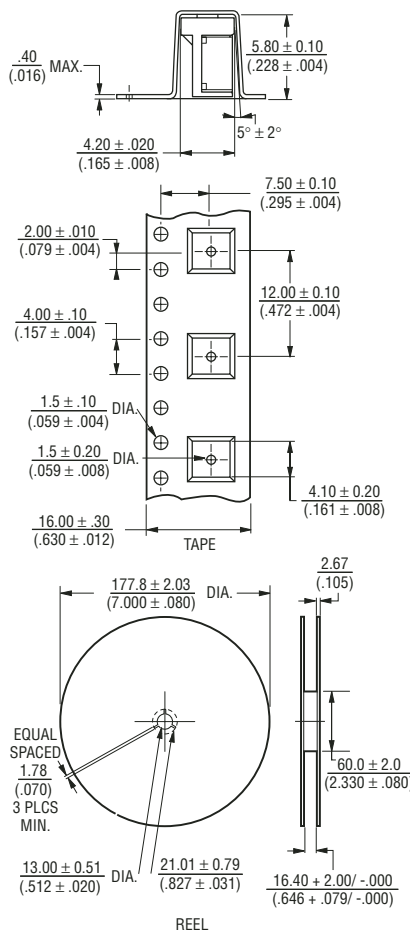
3313 - 3 mm Trimming Potentiometer

BOURNS®

3313J Packaging Specifications



3313S Packaging Specifications



Standard Resistance Table

Resistance (Ohms)	Part Marking Code	Resistance Code
10	A1	100
20	21	200
50	51	500
100	A2	101
200	22	201
500	52	501
1,000	A3	102
2,000	23	202
5,000	53	502
10,000	A4	103
20,000	24	203
50,000	54	503
100,000	A5	104
200,000	25	204
500,000	55	504
1,000,000	A6	105
2,000,000	26	205

Popular distribution resistance values listed in boldface. Special resistances available.

How To Order

3313 J - 1 - 502 E

Model _____

Style _____

Standard or Modified _____

Product Indicator
 -1 = Single Slot
 -2 = Cross Slot

Resistance Code _____

Embossed Tape
 1000 pcs. / 7" Reel (J Style)
 200 pcs. / 7" Reel (S Style)

DIMENSIONS: $\frac{\text{MM}}{\text{(INCHES)}}$

TOLERANCES: $\pm \frac{0.25}{(.010)}$ EXCEPT WHERE NOTED