

Kamoer 350~900ml/min KCP600 Automatic Circulation

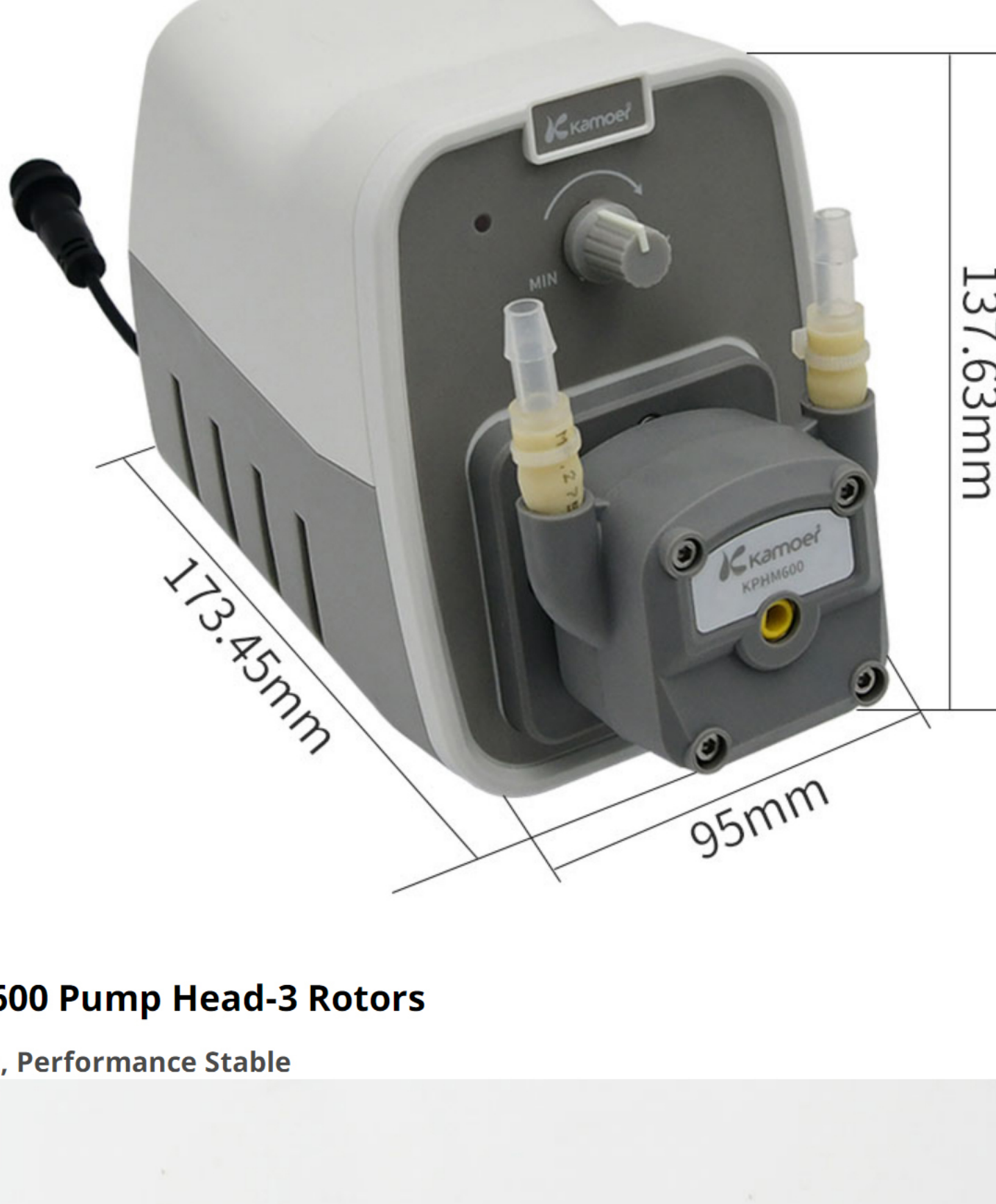
Water Pump Peristaltic Dosing Pump

- # Adjustable flow rate (350~900ml/min)
- # Gear pump
- # Performance Stable (Not easy to cut the tube)



Basic Parameters

Flow Rate: 350~900ml/min Max
 Size: 95*173.45*137.63mm(L*W*H)
 Weight: 520g without any accessory
 Power: Input 100AC-240AC; Output DC 24V 1.9A
 Pump Tube: BPT-B17 6.4*9.6mm 1000H lifetime
 Pump head: KPHM600 3 rotors
 Tubing length: 125mm
 Connector: 1/4



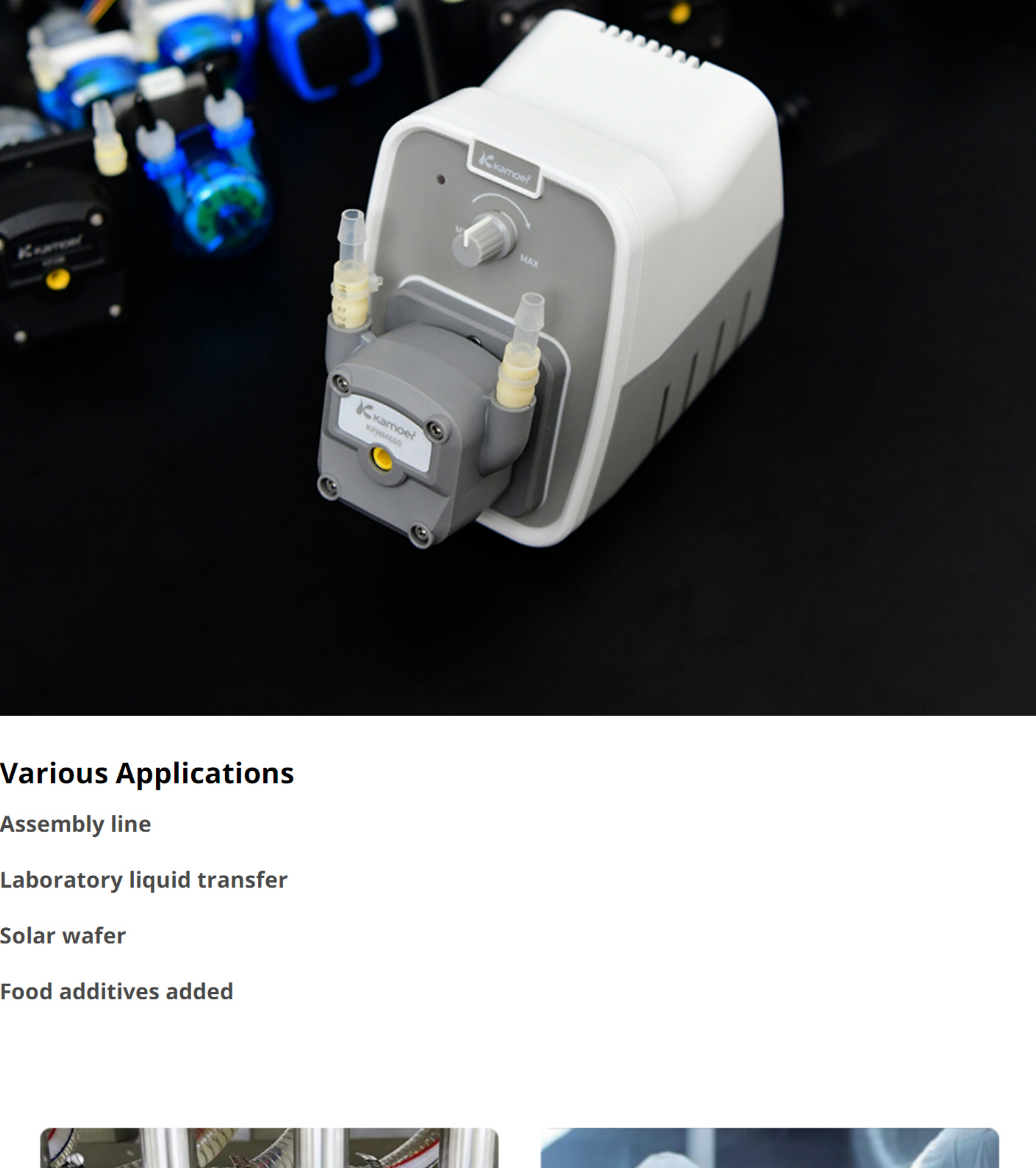
KPHM600 Pump Head-3 Rotors

Easy Use, Performance Stable



Powerful & Cost-effective

Water Pump & Vacuum Pump
 Kamoer is your best choice!



Various Applications

- Assembly line
- Laboratory liquid transfer
- Solar wafer
- Food additives added



Assembly line



Laboratory liquid transfer

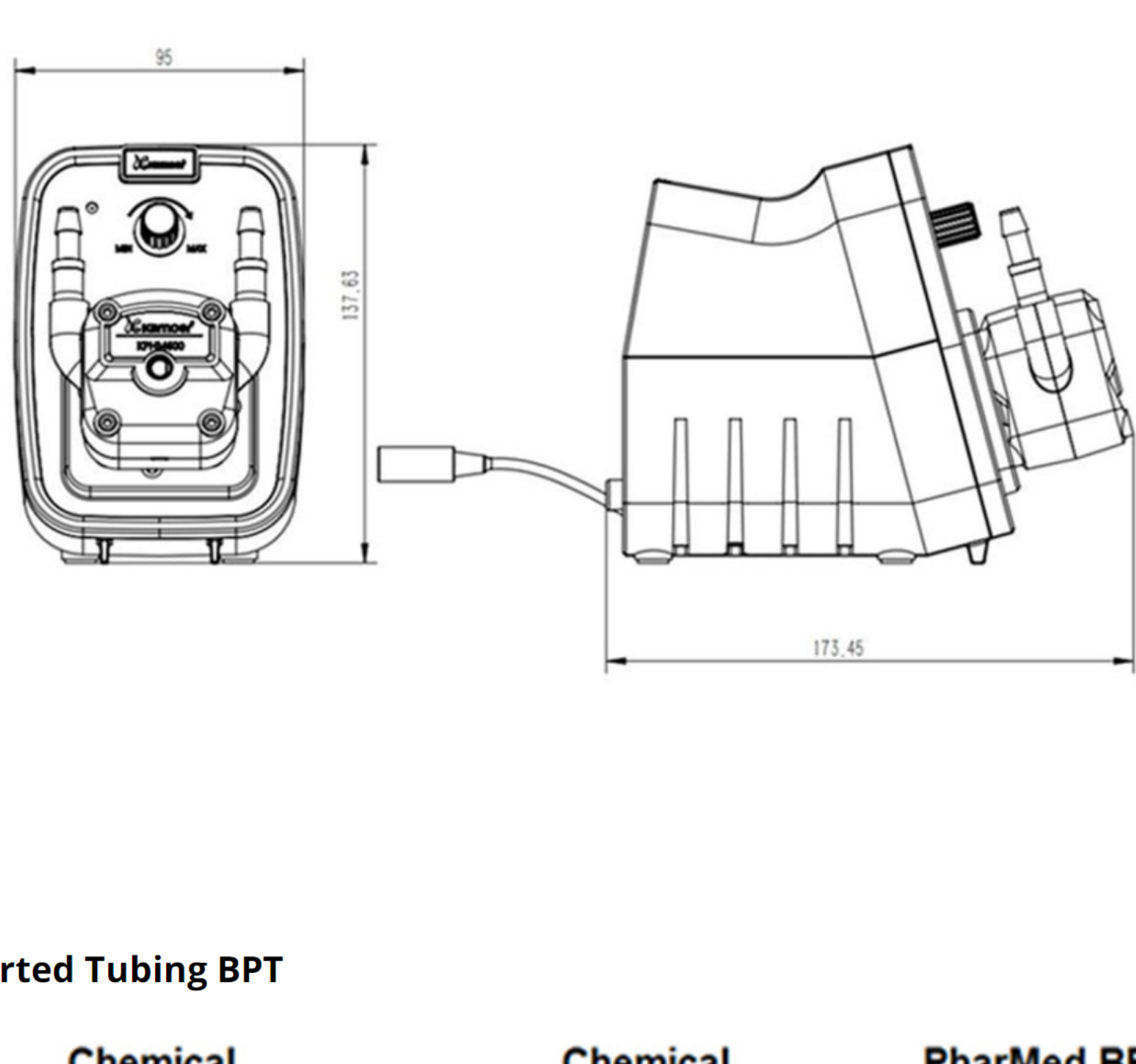


Solar wafer



Food additives added

Technical Size



Imported Tubing BPT

Chemical	Chemical	PharMed BPT
Acetate LMW	Ethylene chlorohydrin	Very good
Acetic acid <5%	Ethylene glycol	Very good
Acetic acid >5%	Ethylene oxide	Very good
Acetic anhydride	Ferric chloride	Very good
Air	Ferric sulfate	Very good
Aluminum chloride	Ferrous chloride	Very good
Aluminum sulfate	Ferrous sulfate	Very good
Alums	Fluoroborate salts	Very good
Ammonia, gas / liquid	Formic acid, 25%	Very good
Ammonium acetate	Glucose	Very good
Ammonium carbonate	Glue, P.V.A.	Very good
Ammonium chloride	Glycerin	Very good
Ammonium hydroxide	Hydrochloric acid (dil)	Very good
Ammonium nitrate	Hydrocyanic acid	Very good
Ammonium phosphate	Hydrocyanic acid, gas, 10%	Very good