

PCB Information

Name:[SEN0443](V1.0)

Thickness: 1.0mm

Engineer:Aaron

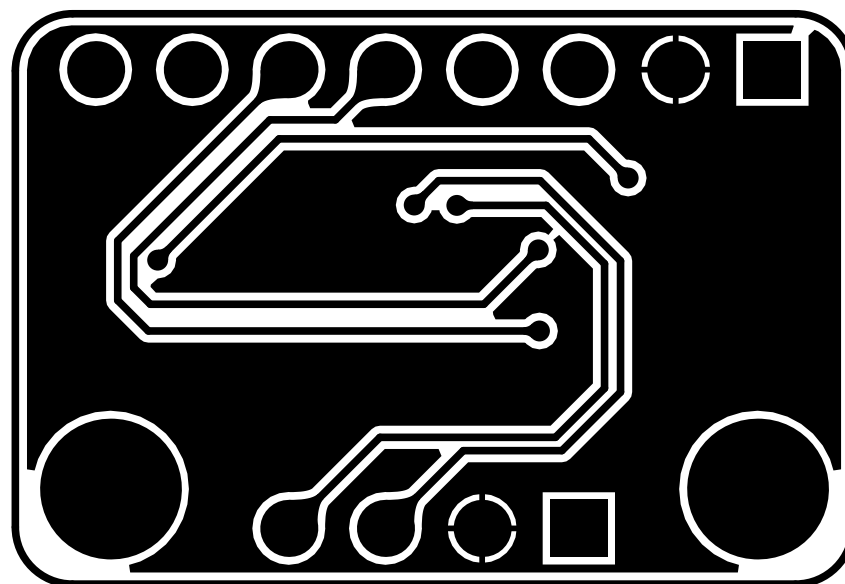
Top SolderMask: Black

Bottom SolderMask: Black

Date: 20210818

Top Silkscreen: White

Bottom Silkscreen: White



PCB Information

Name:[SEN0443](V1.0)

Thickness: 1.0mm

Engineer:Aaron

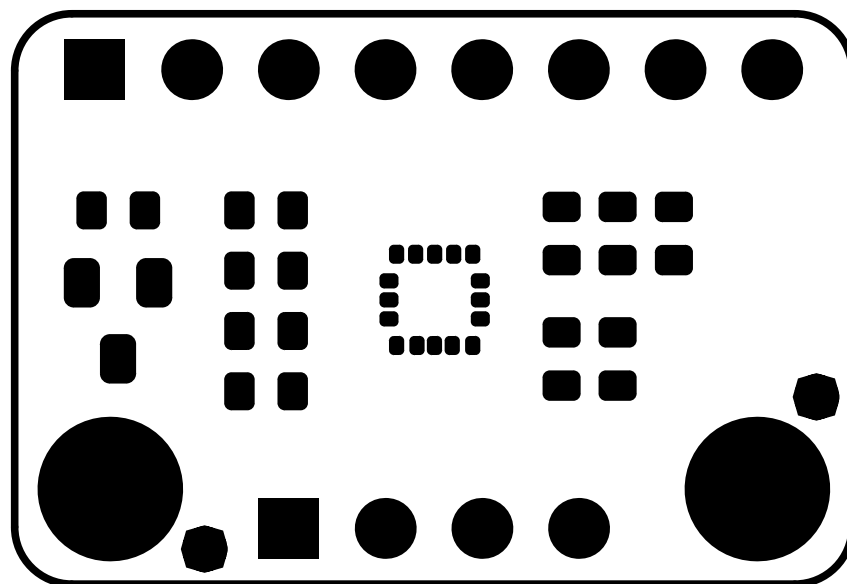
Top SolderMask: Black

Bottom SolderMask: Black

Date: 20210818

Top Silkscreen: White

Bottom Silkscreen: White



PCB Information

Name:[SEN0443](V1.0)

Thickness: 1.0mm

Engineer:Aaron

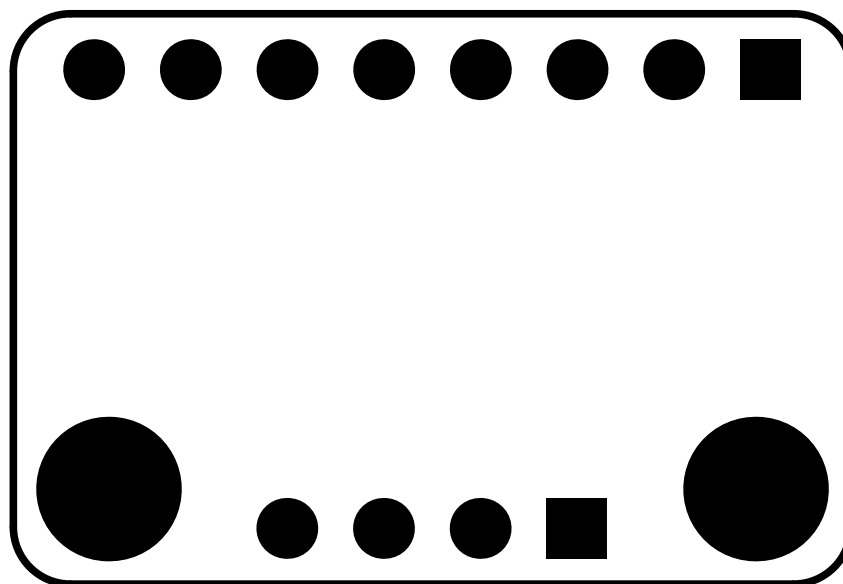
Top SolderMask: Black

Bottom SolderMask: Black

Date: 20210818

Top Silkscreen: White

Bottom Silkscreen: White



PCB Information

Name:[SEN0443](V1.0)

Thickness: 1.0mm

Engineer:Aaron

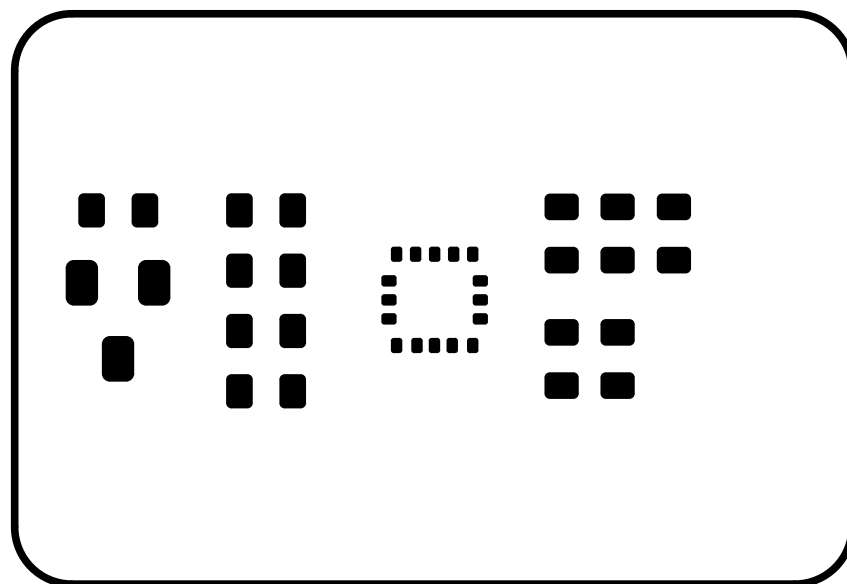
Top SolderMask: Black

Bottom SolderMask: Black

Date: 20210818

Top Silkscreen: White

Bottom Silkscreen: White



PCB Information

Name:[SEN0443](V1.0)

Thickness: 1.0mm

Engineer:Aaron

Top SolderMask: Black

Bottom SolderMask: Black

Date: 20210818

Top Silkscreen: White

Bottom Silkscreen: White



PCB Information

Name:[SEN0443](V1.0)

Thickness: 1.0mm

Engineer:Aaron

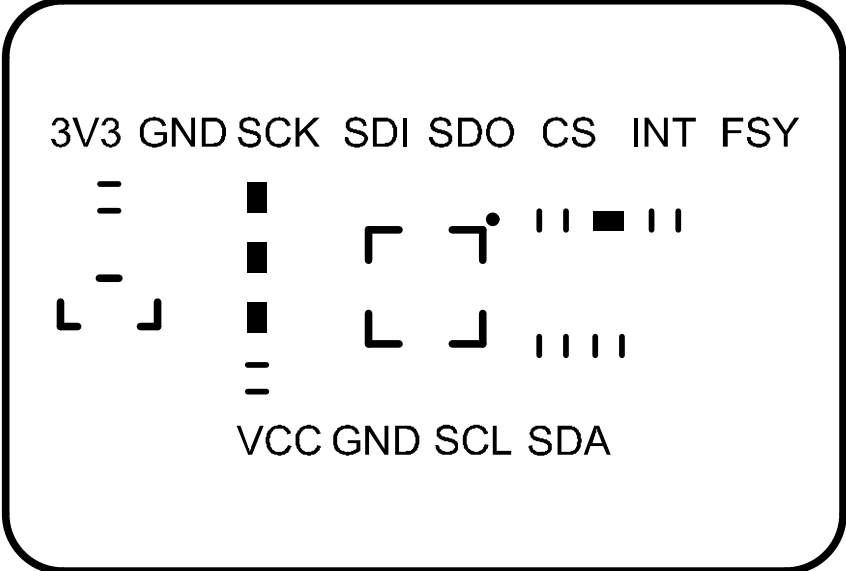
Top SolderMask: Black

Bottom SolderMask: Black

Date: 20210818

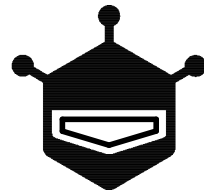
Top Silkscreen: White

Bottom Silkscreen: White



PCB Information	Name:[SEN0443](V1.0)	Thickness: 1.0mm
Engineer:Aaron	Top SolderMask: Black	Bottom SolderMask: Black
Date: 20210818	Top Silkscreen: White	Bottom Silkscreen: White

FSY INT CS SDO SDI SCK GND 3V3



6-Axis MEMS Sensor
-ICG-20660L (V1.0)

SDA SCL GND VCC

PCB Information

Name:[SEN0443](V1.0)

Thickness: 1.0mm

Engineer:Aaron

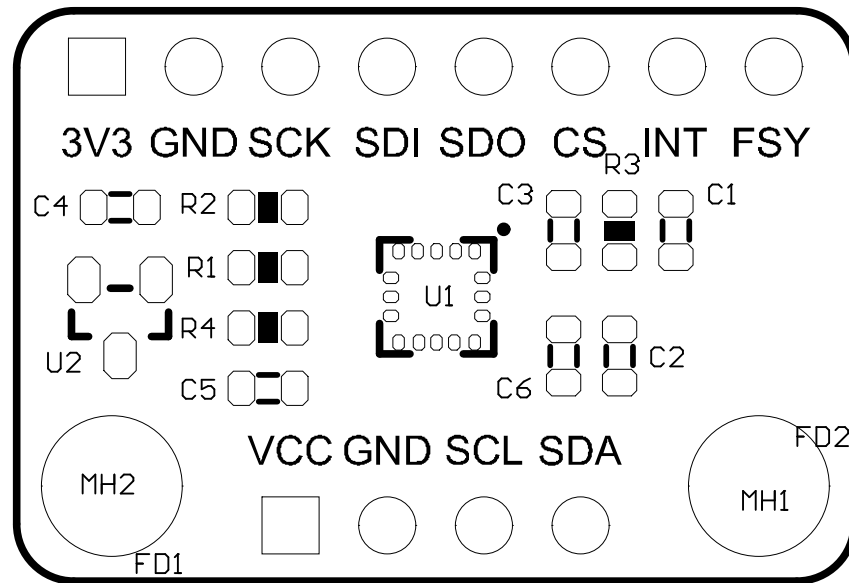
Top SolderMask: Black

Bottom SolderMask: Black

Date: 20210818

Top Silkscreen: White

Bottom Silkscreen: White



PCB Information

Name:[SEN0443](V1.0)

Thickness: 1.0mm

Engineer:Aaron

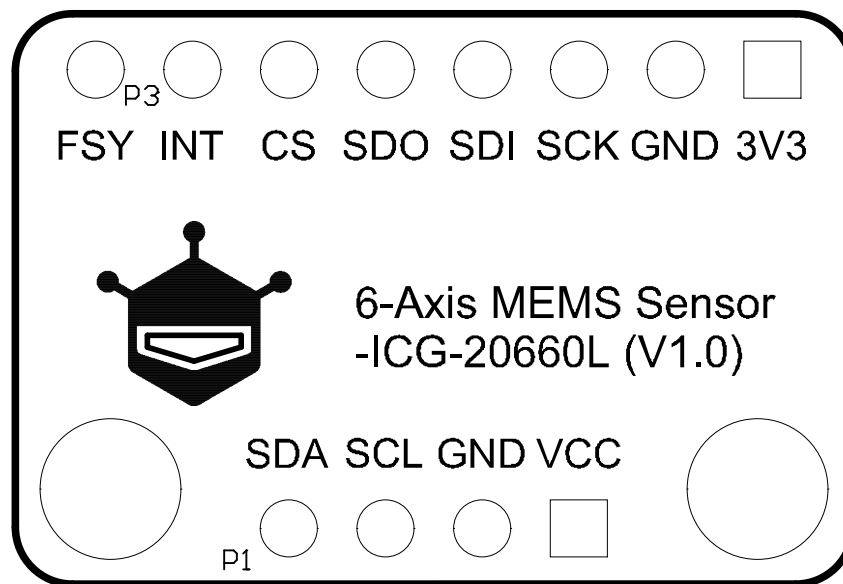
Top SolderMask: Black

Bottom SolderMask: Black

Date: 20210818

Top Silkscreen: White

Bottom Silkscreen: White



PCB Information

Name:[SEN0443](V1.0)

Thickness: 1.0mm

Engineer:Aaron

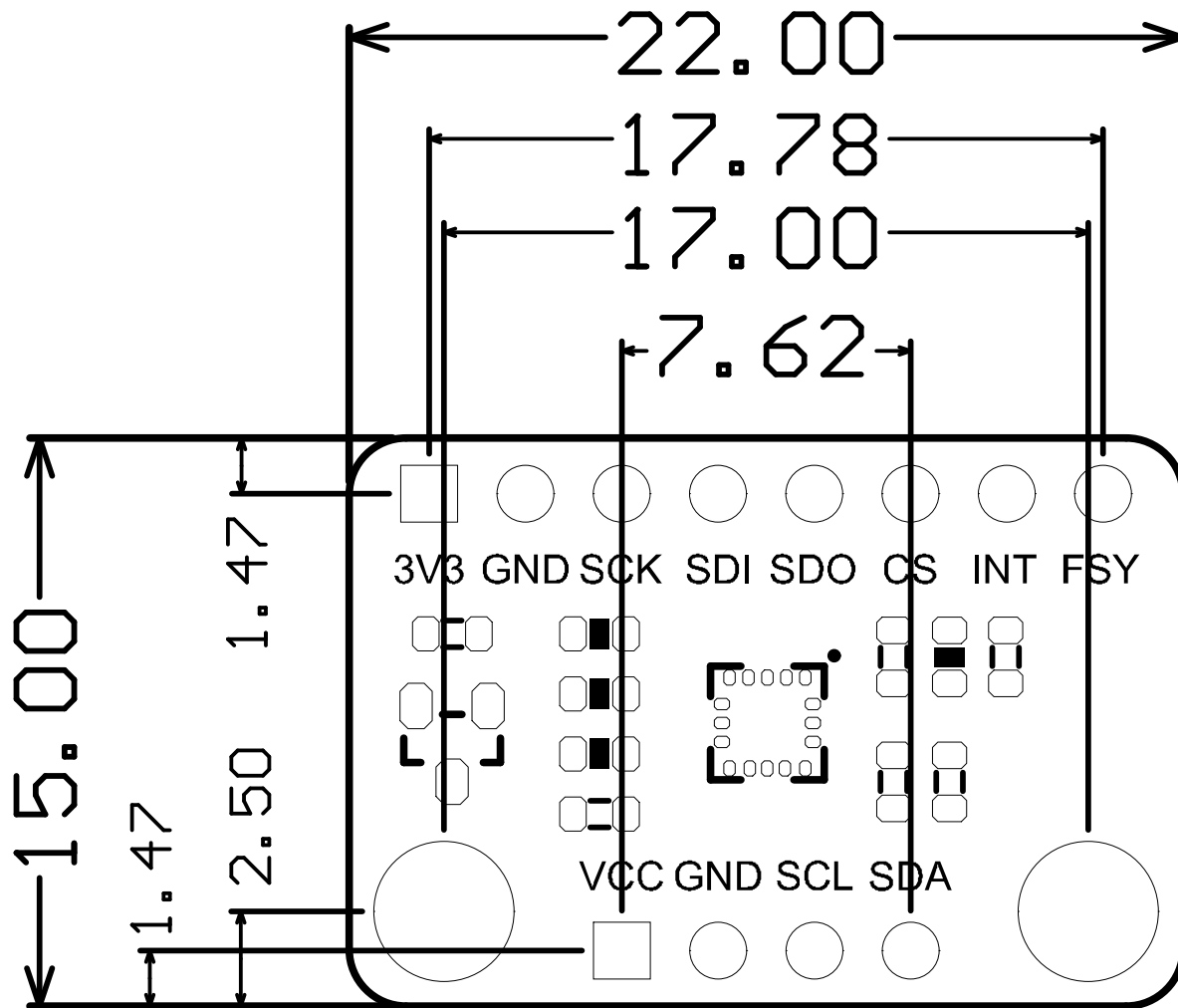
Top SolderMask: Black

Bottom SolderMask: Black

Date: 20210818

Top Silkscreen: White

Bottom Silkscreen: White



PCB Information

Name:[SEND443](V1.0)

Thickness: 1.0mm

Engineer:Aaron

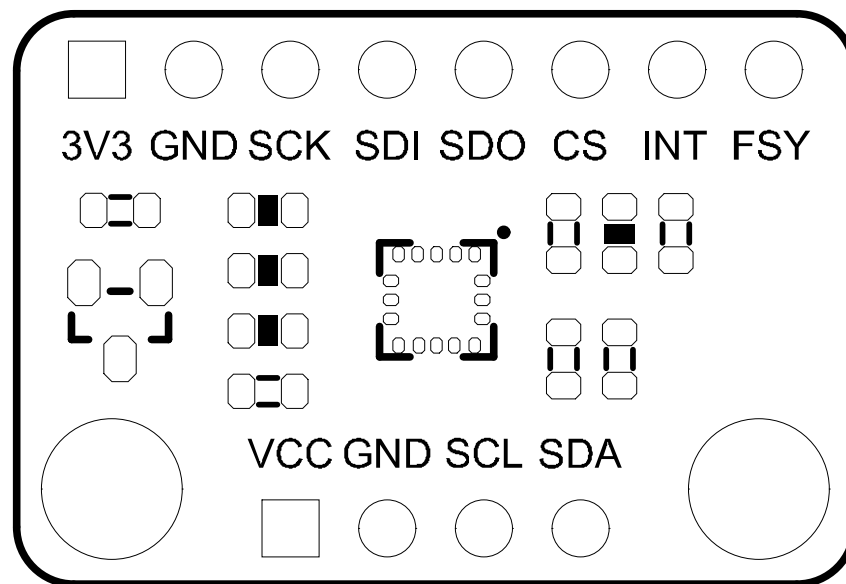
Top SolderMask: Black

Bottom SolderMask: Black

Date: 20210818

Top Silkscreen: White

Bottom Silkscreen: White



PCB Information

Name:[SEN0443](V1.0)

Thickness: 1.0mm

Engineer:Aaron

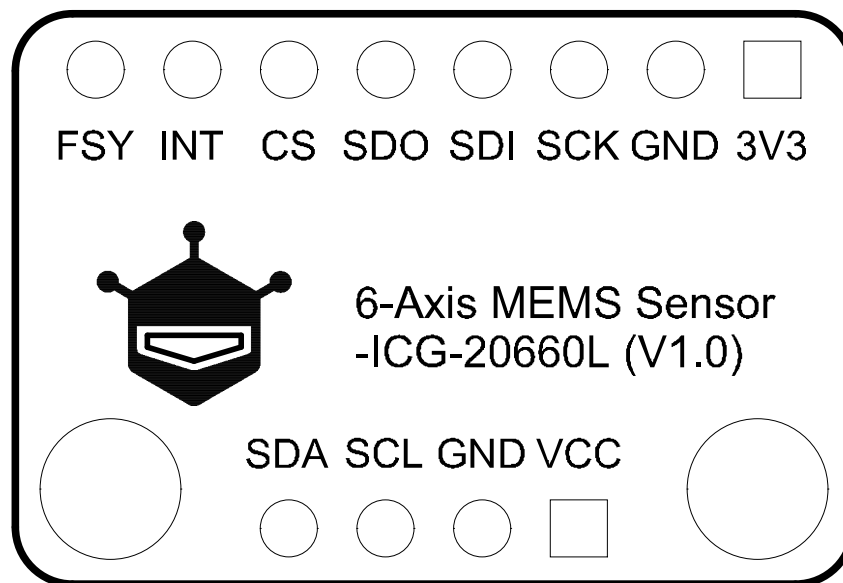
Top SolderMask: Black

Bottom SolderMask: Black

Date: 20210818

Top Silkscreen: White

Bottom Silkscreen: White



PCB Information

Name:[SEN0443](V1.0)

Thickness: 1.0mm

Engineer:Aaron

Top SolderMask: Black

Bottom SolderMask: Black

Date: 20210818

Top Silkscreen: White

Bottom Silkscreen: White