

# Product Manual

**Kamoer Fluid Tech (Shanghai) Co., Ltd.**

Version : A/2

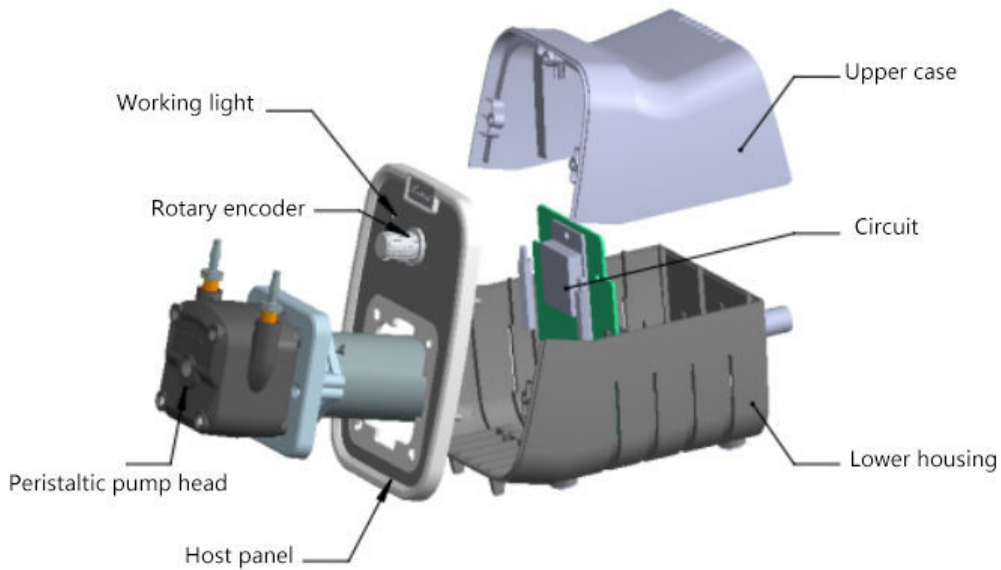
<b>Product name</b>	Adjustable peristaltic pump
<b>Product model</b>	KCP200
<b>Execution date</b>	2023.09.22
<b>Company name</b>	Kamoer Fluid Tech (Shanghai) Co.,Ltd.

## 1. Product Overview

### 1.1 Product physical picture



### 1.2 Product assembly drawing





### 1.3 Model definition (stepper motor drive)

Model	KCP200-B16-GB National standard	KCP200-B16-US American Standard	KCP200-B16-UK British Standard	KCP200-B16-EU European standard	KCP200-B16-AU Australian Standard
Sales code	CK.33.18.0001	CK.33.18.0002	CK.33.18.0003	CK.33.18.0004	CK.33.18.0005



## 1.4 Pump tube material

Pump tube material	Characteristic	Standards compliant
Silicone tube (S) 	Low adsorption, good temperature resistance, good chemical corrosion resistance, life expectancy of 200 hours	RoHS FDA
BPT tube (B) 	Resistant to common chemicals, acid and alkali, and oxidation resistance, with a lifespan of 1000 hours	RoHS

## 1.5 Performance characteristics and typical applications

### 1.5.1 Performance characteristics

- Low-cost adjustment of flow rate
- Easy and quick replacement of pump tubing
- Low noise, small space occupation
- Simple structure, maintenance-free
- With three rotors, moderate pulsation

### 1.5.2 Typical application

- Laboratory: liquid transfer, reagent packing
- Industrial process: such as pumping hydraulic oil
- Fine chemicals: such as cosmetic packaging, slurry recovery and filtration
- Food Process: Beverage Filling



Ion Chromatograph



Auto Car Wash



Five classification  
blood analyzer



Hypochlorite  
water generator



## 1.6 Product main material

Chassis	KPHM200 pump head			
	Cover	Sync disk	Rotor	Fitting
ABS plastic	PA6	POM	PET	PP

## 1.7 Product Certification, Intellectual Property

CN 307203632S

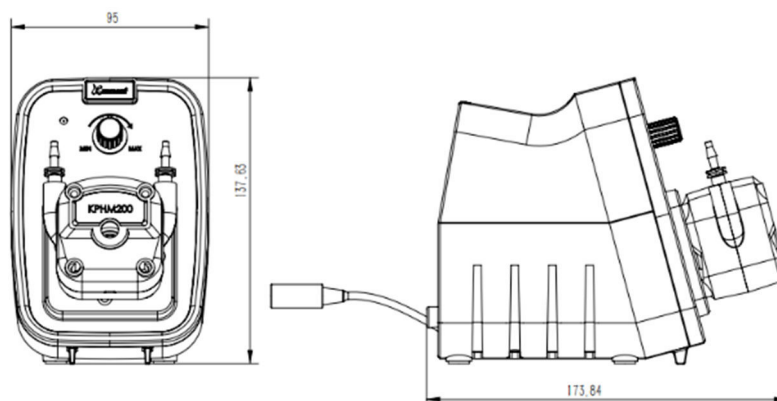


## 1.8 Product Risk Warning

- Hoses are resistant to liquid media. Need to check chemical compatibility or conduct immersion tests, improper hose selection may cause hose damage quickly.
- The working environment of the product should not exceed 45°C, and the humidity should not exceed 70% (no condensation). The harsh working environment will cause premature damage to the product.
- Fluid leakage accidents due to hose ruptures depend on the fluid medium and your specific application conditions.
- High overloading may result in premature failure of the product.

## 2. Product specification

### 2.1 Product Size




## 2.2 Technical Parameters

Project		Technical Parameters
Basic parameters	Using electric	DC24V 1 A power adapter
	Power	<24W
	Drive	DC brushed motor
	Working environment	Temperature 0~40°C, relative humidity<80%RH
	Total Weight	About 0.52 Kg
	Reference noise value	≤ 60dB (test environment noise 34dB , the horizontal distance between the test product and the noise meter is 0.5 m)
	Range of rotation	<400rpm
	Speed adjustment resolution	/
	Flow range	100~200ml/min
	Display method	/
	Control method	Potentiometer
	Operating mode	Speed regulation mode
	Way of working	manual
	Support function	Start and stop, speed regulation
Pump flow	Technical Parameters	
	Model code	B16 (16#)
	Pump tube material	Pharmed BPT
	ID x OD	Metric: 3.2 mm x 6.4 mm Inch: 1/8 in x 1/4 in
	Number of rotors	3
	Max flow	200ml / min
Precautions	<p>The maximum flow rate above is obtained at room temperature (about 25 °C), using a new pump tube that has been aged for 30 minutes and tested water at 400 rpm, for reference only. Ambient temperature, the material and elasticity of the pump tube, the viscosity of the test liquid and other factors will affect the actual flow rate. The thickness of the pump tubing will affect the actual maximum speed for stable operation.</p>	



## 2.3 Accessories

Assembly name	Accessories picture		Function introduction
Connect pump tubing 14.03.0036		3.2mm × 6.4mm	Connect the transmission between the liquid source and the pump, low adsorption, good temperature resistance, good chemical corrosion resistance, passed RoHS FDA.

