

OOWOW Introduction

- VIM4 comes with the OOWOW embedded service.
- Use OOWOW to install your preferred OS directly from the Cloud.

- OOWOW will start automatically if the device storage is empty.
- Control VIM4 with a display and keyboard, or remotely over WiFi/LAN.
- With OOWOW you will always be in control of your VIM4.

Activate OOWOW: hold **Function** and press **Reset**
Activate Hotspot: press **Function** after OOWOW starts
Network Name: vim4-xxxxx (last 5 digits of serial no.)
Further information: <https://docs.khadas.com/oowow>

Website Introduction

- For more documentation and technical information, you can visit docs.khadas.com.
- If you encounter technical issues during development, seek help at forum.khadas.com.
- To purchase additional accessories, please visit shop.khadas.com.

Data Download Instruction

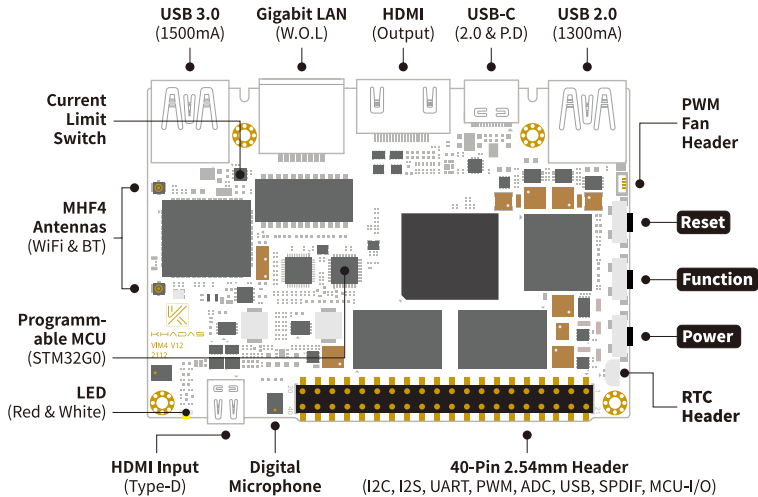
- Schematics: dl.khadas.com/products/vim4/schematic/
- Datasheets: dl.khadas.com/products/vim4/datasheet/
- Specification: dl.khadas.com/products/vim4/specs/
- 2D DXF: dl.khadas.com/products/vim4/dxf/
- 3D CAD: dl.khadas.com/products/vim4/cad/

After-Sales Service

Please email support@khadas.com if you have any after-sales related questions.



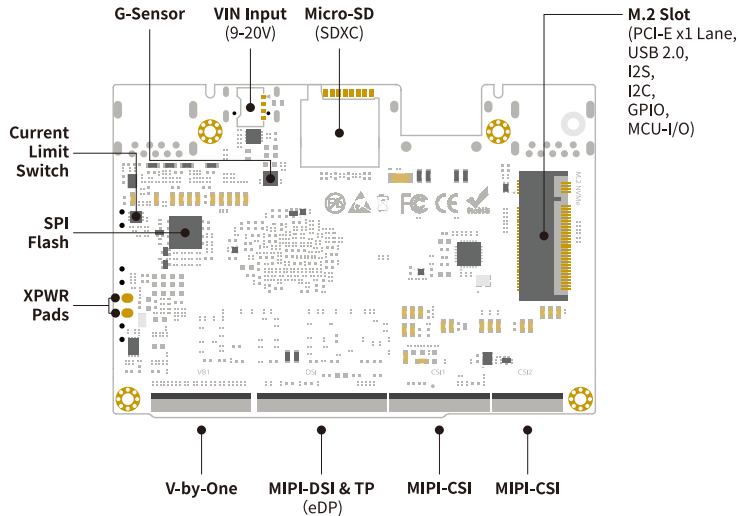
Interfaces



3

4

Interfaces



5

6