

# High performance and wide usag

## Single head brush/brushless motor

### KVP300 Series Diaphragm Vacuum Pump



## Application



Gas sampling

Medical Instrument

Gas analyzer

Aerosol inhaler

## Product parameter

KVP300 micro diaphragm pump is designed according to the principle of volumetric form. It is controlling the import and export diaphragm, forming power drive after drive mechanism reciprocating motion of the piston, the pressure pushing the diaphragm back and forth encouraging work to gas inhalation and ruled out.



## Features

- Oilless
- Free maintenance
- Compact design
- Low energy consumption
- Gas flow rate  $\geq 6L/min$
- Inlet side negative pressure  $\geq 0.05Mpa$
- Outlet positive pressure  $\geq 0.1Mpa$



KVP300-KK

## Motor selection

KK: 12V DC Brush motor  
KD: 12V DC Brushless motor

KJ: 24V DC Brush motor  
KB: 24V DC Brushless motor

## Parameter

Motor code	Volt (V)	No load current (A)	Rated current (A)	Motor length (mm)	Weight (g)
KK	12	0.42	<1.2	58	240
KD	12	0.55	<1.5	67	280
KJ	24	0.2	<0.5	58	238
KB	24	0.32	<0.6	67	277

In addition to the above General Motors, our motors can be customized according to customer requirements, meet the special needs of customers

Motor lifetime: Brush 2000h (in theory); Bushles 6000h(in theory). \*Actually it depends

## Diaphragm、Valve material:

Currently we provide diaphragm、Valve material:

**EPDM:** alcohols, acids, bases, oxidizers, chemicals such as ketones and fat have better resistance and poor oil resistance.

\*If customers have any questions about the compatibility of diaphragm and valve with media can do their own compatibility test, or apply to us.

## Product features

Name	Power (W)	Flow rate (L/H)	Positive pressure(Mpa)	Negative pressure(Mpa)	Noise (Db)
KVP300-KK	5W	$\geq 360$	$\geq 0.1$	$\leq -0.05$	<70
KVP300-KD					
KVP300-KJ					
KVP300-KB					

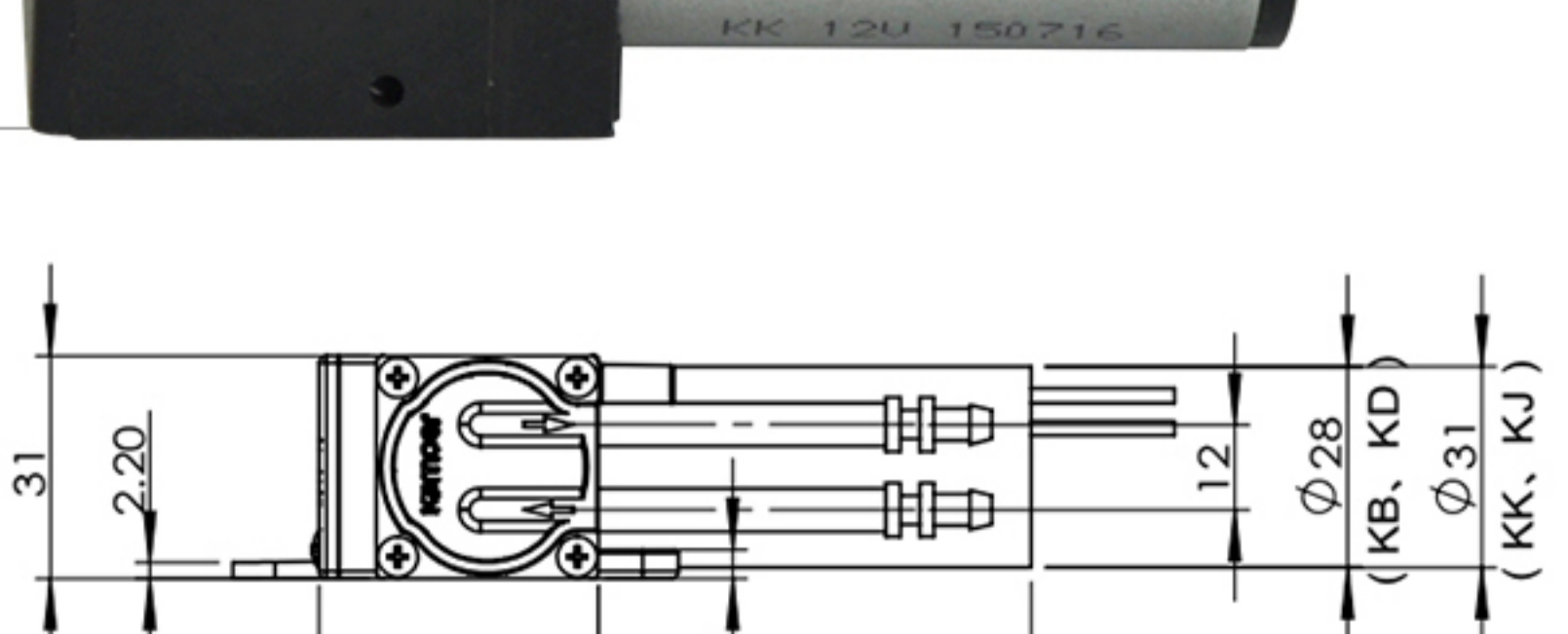
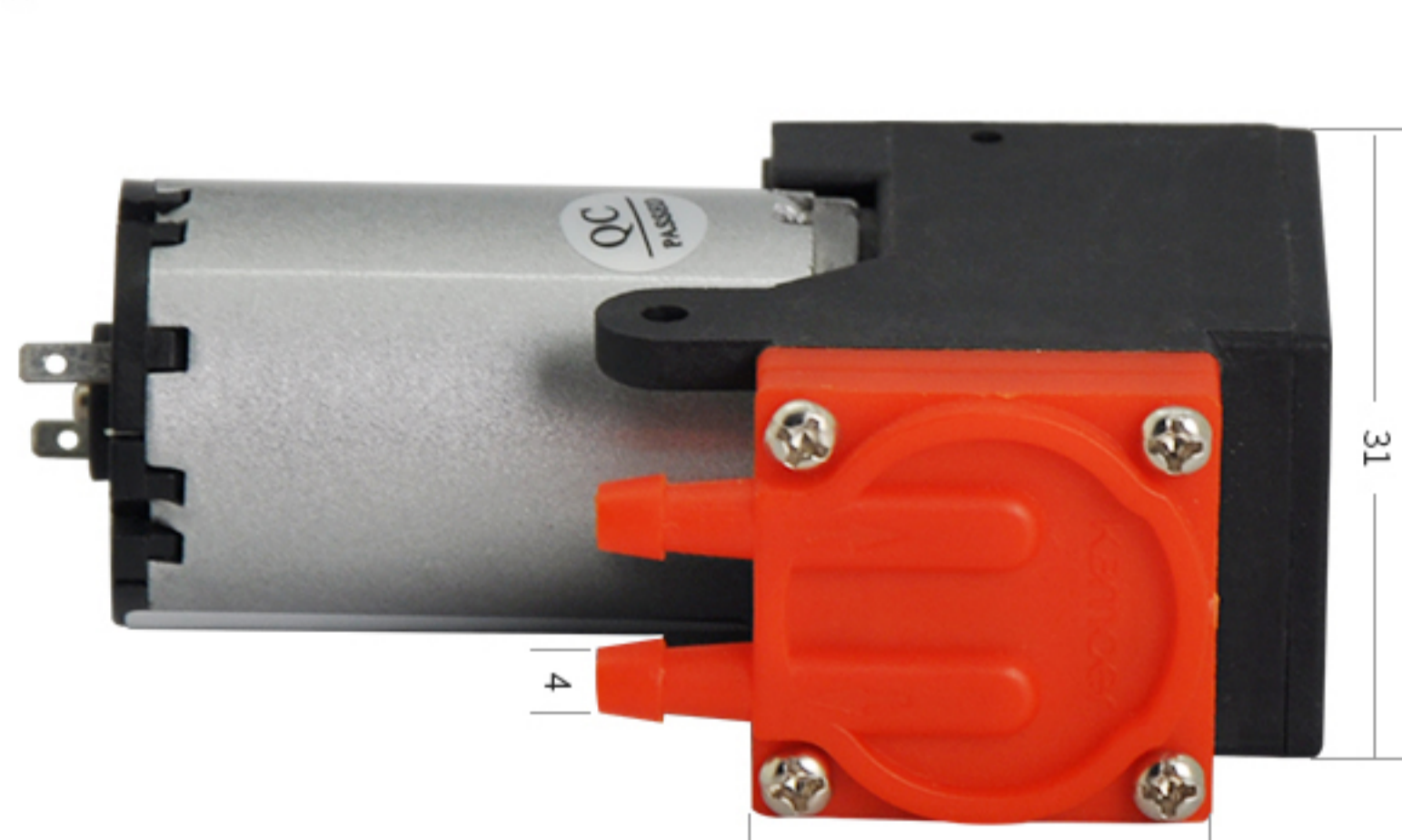
## Working condition:

Temperature: 0 ~ 40°C Humidity: <80%

Note: This diaphragm vacuum pump cannot continuously working under the positive pressure  $> 0.02Mpa$ , otherwise it will shorten the lifetime of the product, other special working condition, please contact Kamoer fluid tech (Shanghai) Co.,Ltd.

## Installation dimension

Unit: mm



Motor length check motor selection for reference

