

4. Device Installation

4.3 Z-axis Cable Drag Chain Installation

- A. Insert the mainboard adapter cable into the appropriate interface and assemble the Z-axis cable drag chain at this end.
- B. Complete the assembly of the other end of the Z-axis cable drag chain.

Figure A

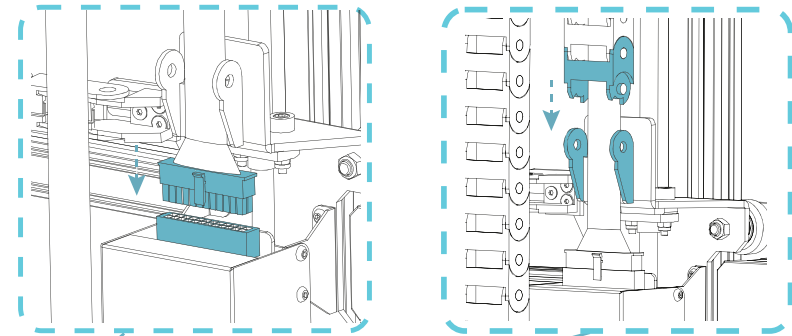
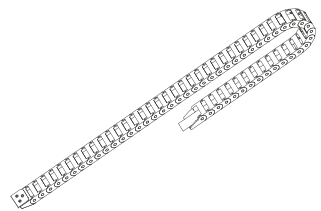
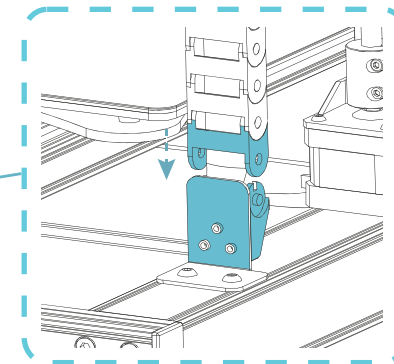
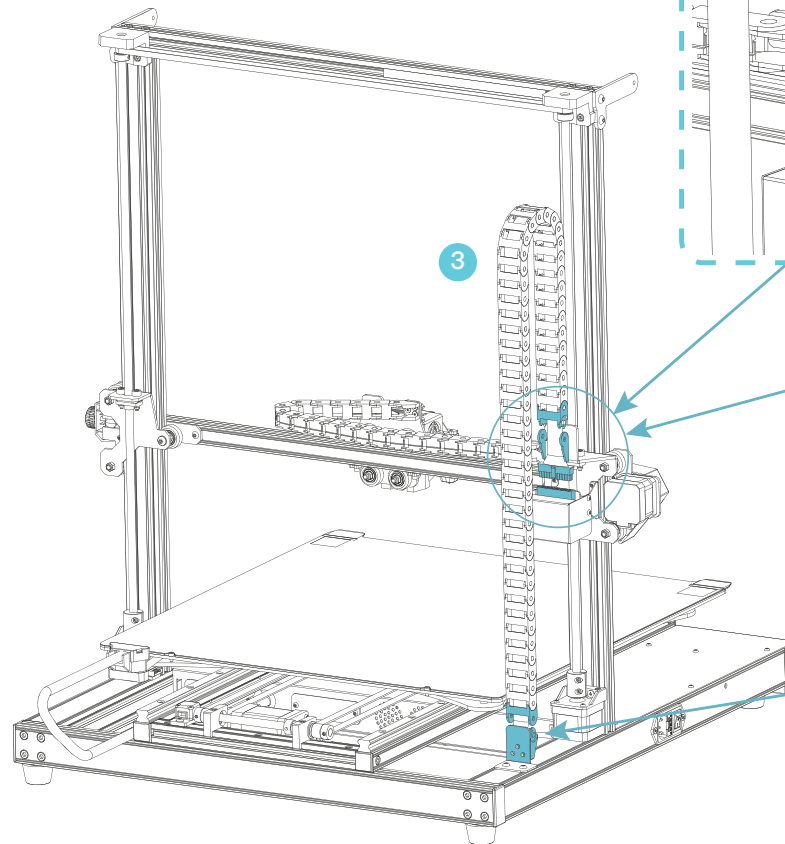


Figure B



3 Z-axis Cable Drag Chain



4. Device Installation

4.4 Pull Rod Installation

- A. Fix one end of the pull rod to the top of the gantry frame with one M5*10 screw (just pre-tighten the screw).
- B. Fix the other end of the pull rod to the base with one M5*25 screw and one M5 flat gasket as shown, finally tighten the fixing screws on both ends of the pull rod; then complete the assembly of the pull rod on the other side using the same method.



6 Pull Rod x 2



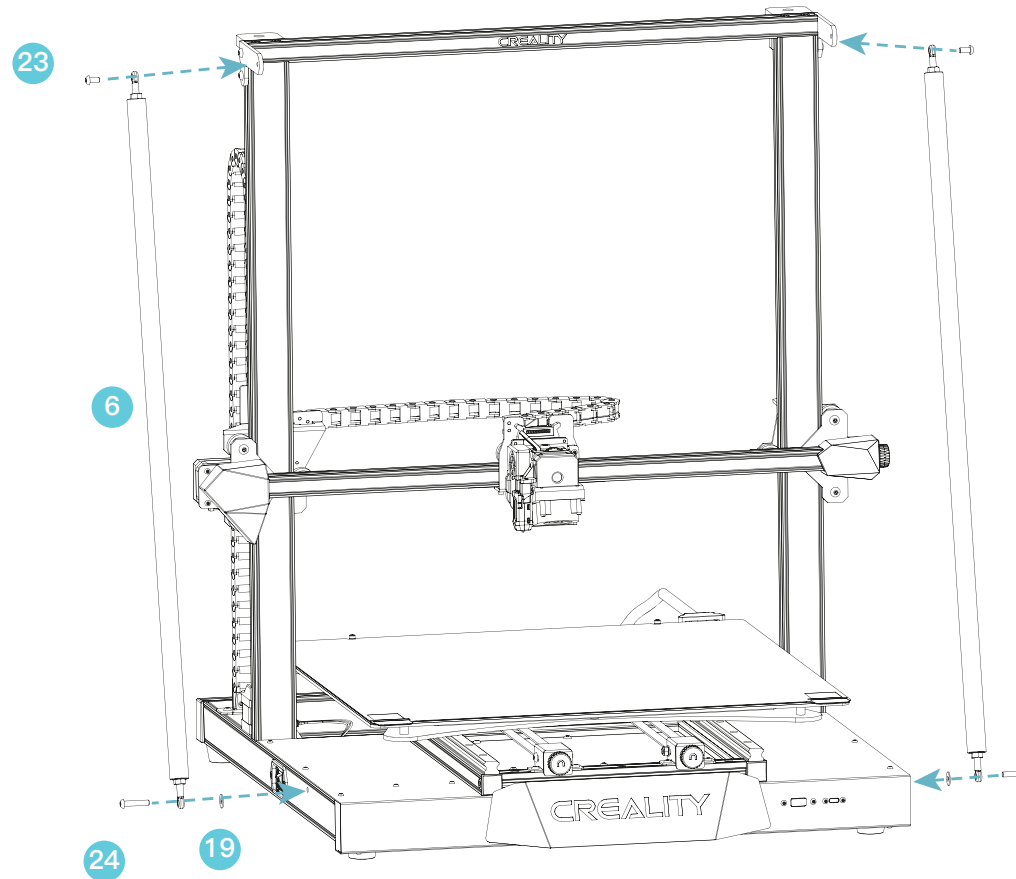
19 M5 Flat Gasket x 2



23 Hexagon Socket Button Head Screw M5*10 x 2



24 Hexagon Socket Button Head Screw M5*25 x 2



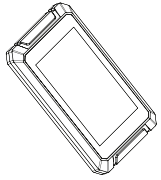
4. Device Installation

4.5 Display screen Installation

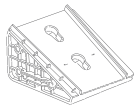
A. Assemble the display screen frame with three M4*20 screws.

B. Insert the display screen cable into the appropriate interface and snap the cable into the buckle.

C. Align the pins on the back of the display screen with the punched holes in the display screen frame and insert it, then slide it downwards to fasten it.



4 Display screen



5 Display Screen Frame



21 Hexagon Socket Button Head Screw M4*20 x 3

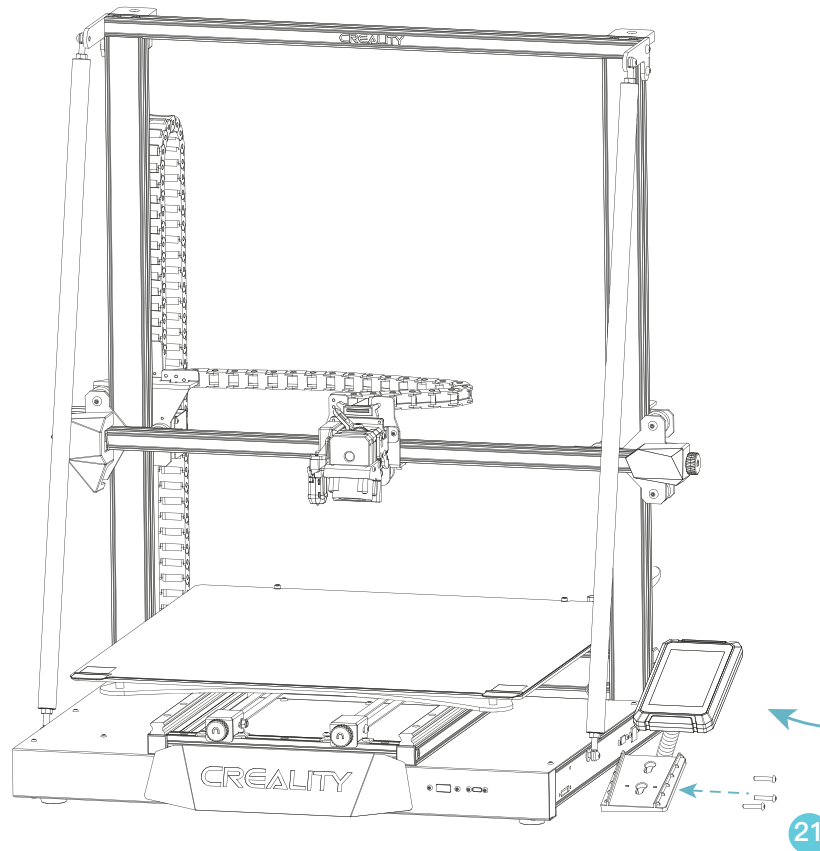


Figure A

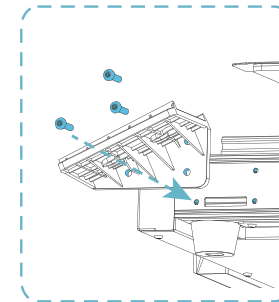
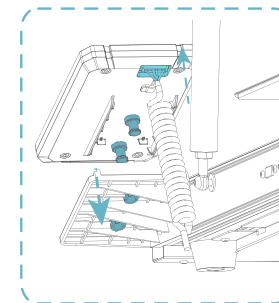


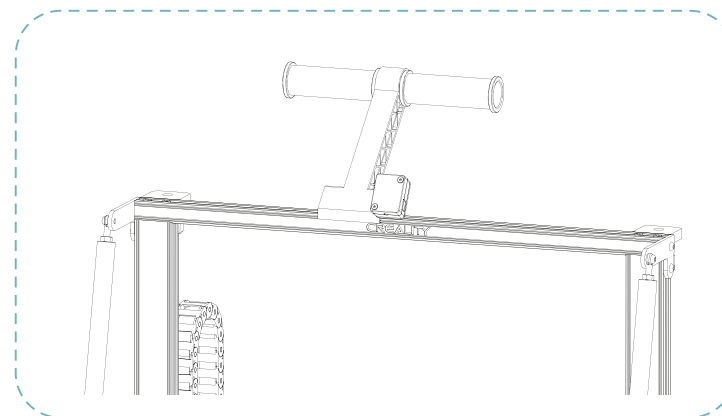
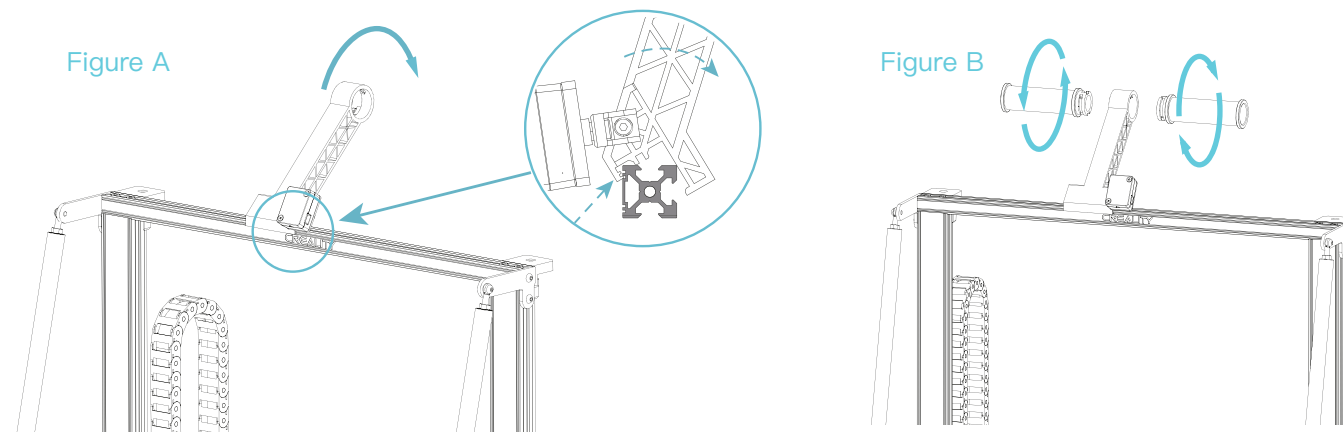
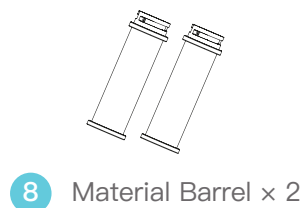
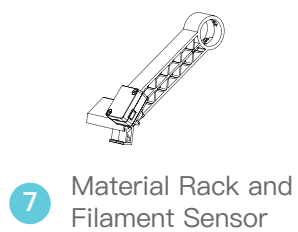
Figure B



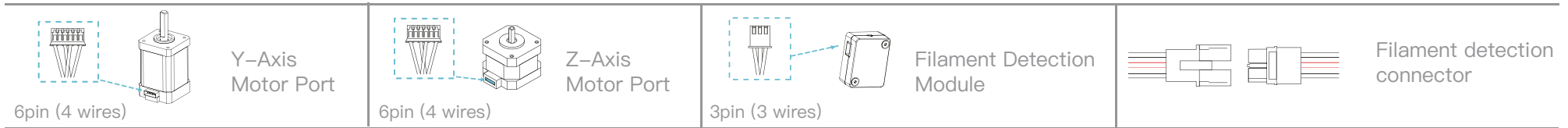
4. Device Installation

4.6 Material Rack Installation

- A. Fit the front slot of the material rack to the front slot of the top profile and press down on the end of the material rack to fix it.
- B. Screw the threaded ends of the two material barrels into the two ends of the material rack.



5. Equipment Connecting



- Follow the yellow label on the 6pin (4 wires) port to connect the Y-axis stepper motor;
- Follow the yellow label on the 6pin (4 wires) port to connect the Z-axis stepper motor;
- Connect the filament detection module by following the yellow label on the 3pin (3 wires) port;
- Connect the filament detection connector;

