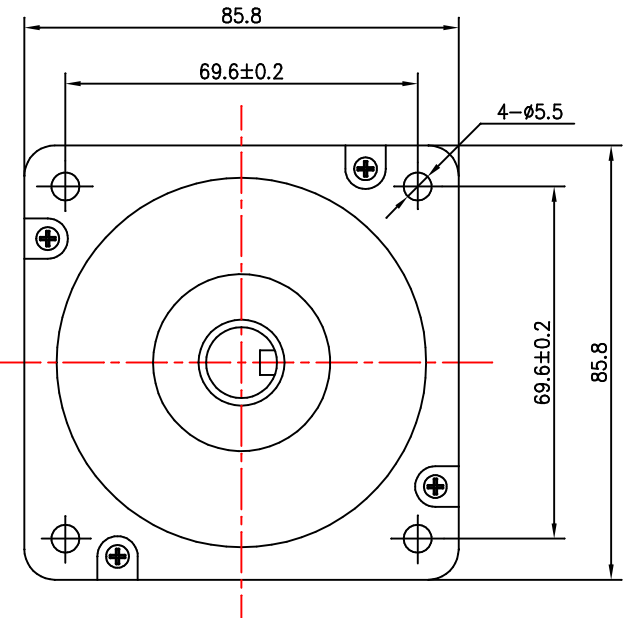
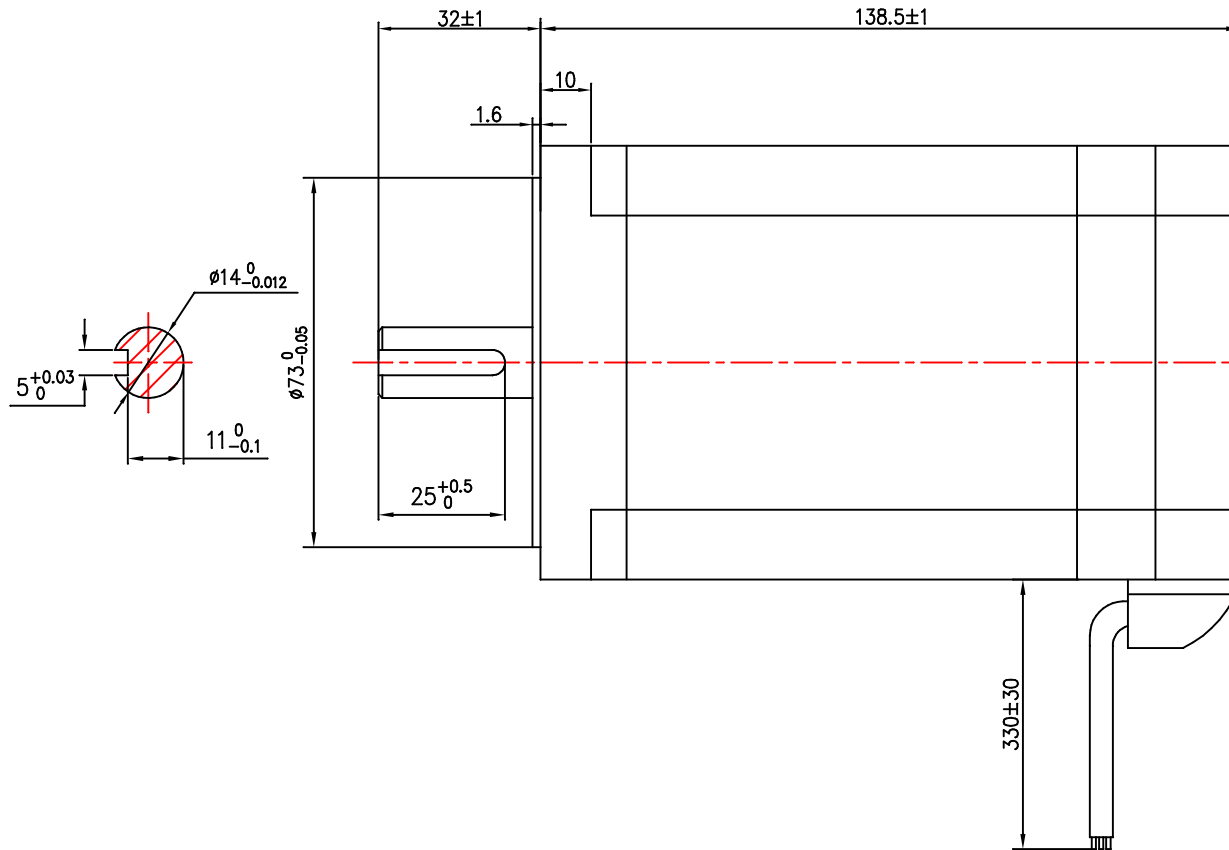


Dimension:
Unit=mm

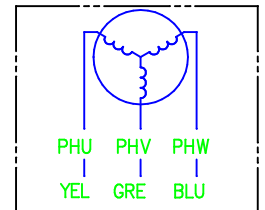
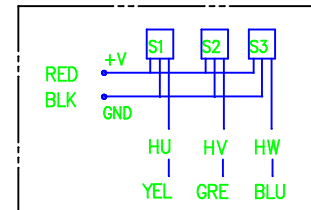


ROTATION: CW SEE FROM LEAD END

MANUFACTUER MODEL	JK86BLS125-X015
NUMBER OF POLES	8
PHASE TO PHASERESISTANCE	0.13 OHMS
NOMINAL VOLTAGE	48 VDC
NO LOAD SPEED	3700±10% RPM
NO LOAD CURRENT	2.8 Amps Max.
RATED TORQUE	2.1 N-m
RATED SPEED	3000±10% RPM
OUTPUT POWER	660 W
BACK EMF CONSTANT	13 V/kRPM
TORQUE CONSTANT	0.124 N-m/A
INSULATION CLASS	B

ELECTRICAL CONNECTION TABLE				
+5V	RED	红	UL1007 26 AWG	
HALL U	YEL	黄		
HALL V	GRE	绿		
HALL W	BLU	蓝		
GND	GND	黑	AF 1.5	
PHASE U	YEL	黄		
PHASE V	GRE	绿		
PHASE W	BLU	蓝		

Connection diagram:



Hall sensor cable

Wiring cable

Note: hall sensor power supply
voltage +5 to +20VDC

REV.	QTY.	No.	SIG.	DATE
DESIGN	CCY	19.01.09	STD.	
CHECK				
PROC.			APPR.	

Title:			常州精控电机电器有限公司		
Specification			JK86BLS125-X015		
CLS.MAK	WEIGHT	SCALE	www.jkongmotor.com		
PAGE: 1/1					