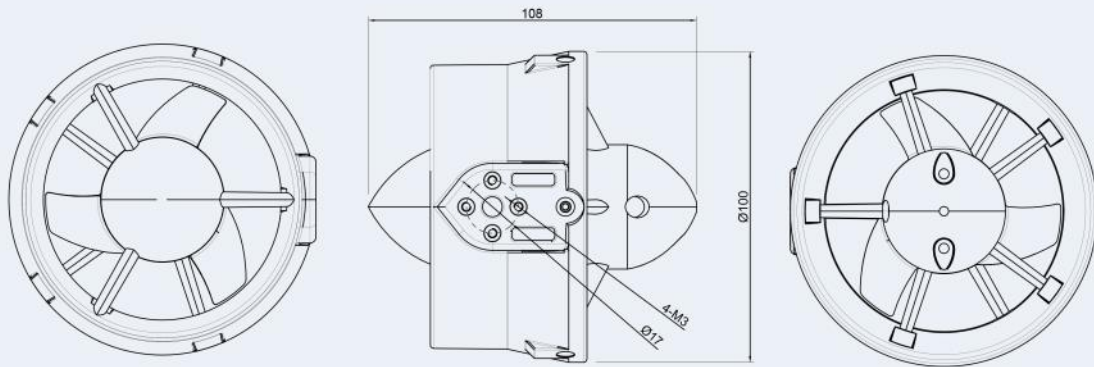


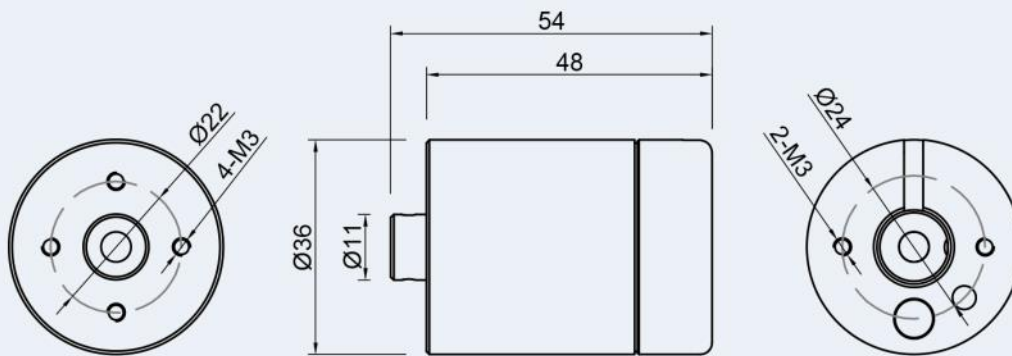
W30 Thruster - Product Drawing



W30 Thruster - specification

Type	W30	Max. depth	200m
Dimension	Ø100*108mm	Wire configuration x length	18AWG*1000mm
Forward thrust	6.7kgf-7.7kgf	Motor	W30 KV320
Backward thrust	5.0kgf-5.8kgf	Battery(Lipo) recommend	6S (4.2V)
Rate power	480W	ESC	W30 ESC-8S-45A
Rated current	22A	Propeller	W30 Purple PC propeller
Weight in air	420g	Package Weight	710g
Weight in water	200g		

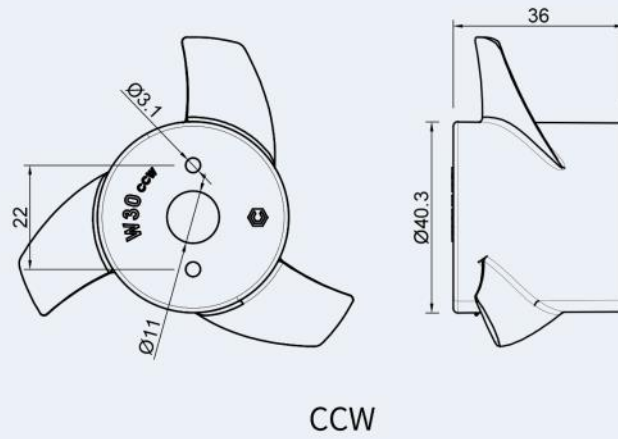
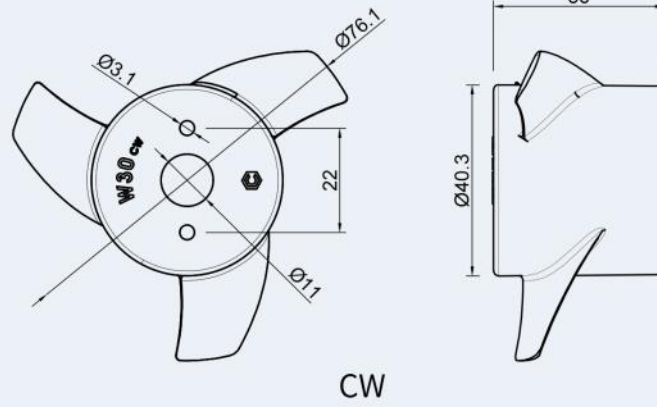
W30 KV320 motor - Product Drawing



W30 KV320 motor - specification

Motor type	W30 KV320	Rated power	480W
Rated current	22A	Weight	270g
No-load current@10V	0.5A	Winding wire temperature-resistant	220°C
No-load RPM@10V	3200rpm	Wire configuration x length	18AWG*1000mm
Inductance	125uH	Max. depth	200m
Max. current	30A/180s	Slot/Pole	12N14P
Max. power	720W/180s	Winding hi-pot	500V/5s
Internal resistance	220mΩ	Package weight	580g

W30 3blades propeller - Product Drawing



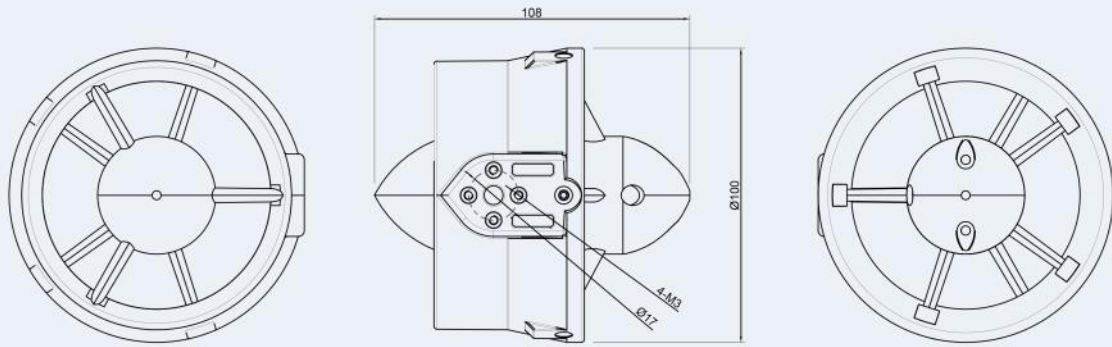
W30 3blades propeller - specification

Dimension $\text{Ø}76.1 * 36\text{mm}$

Weight 12g

Pitch 3.6 inch

W30 Nozzle - Product Drawing

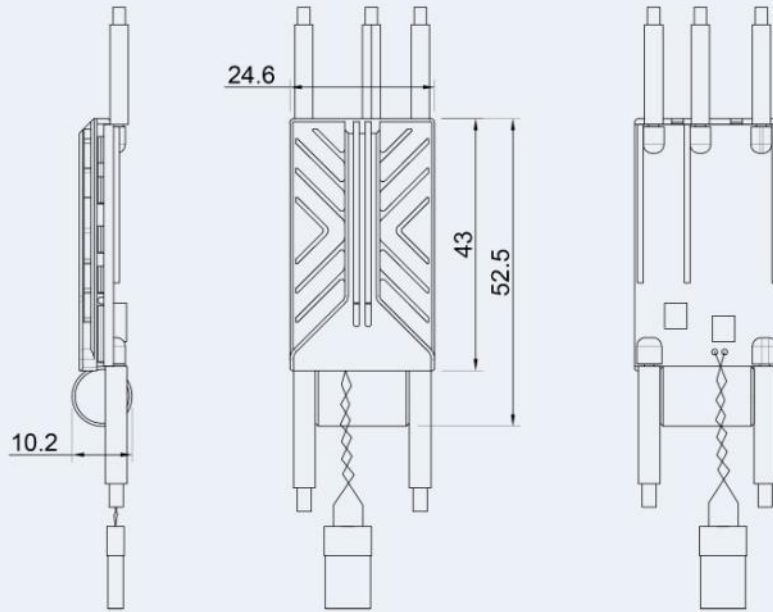


W30 Nozzle - specification

Dimension $\varnothing 100 \times 108 \text{ mm}$

Weight 140g

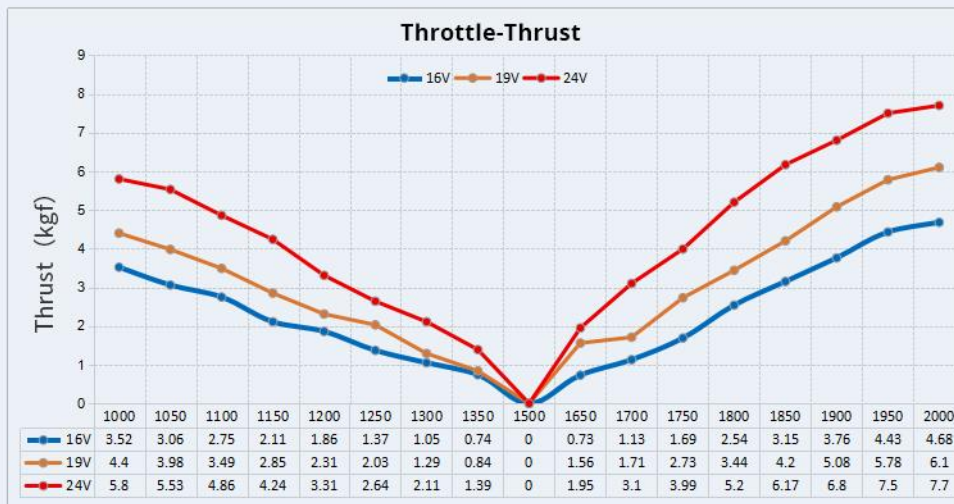
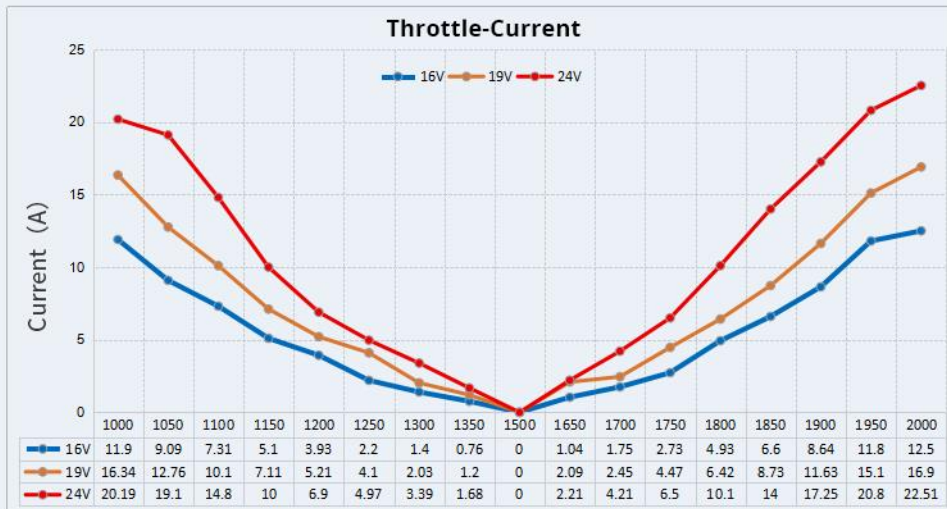
W30-6S-45A ESC - Product Drawing

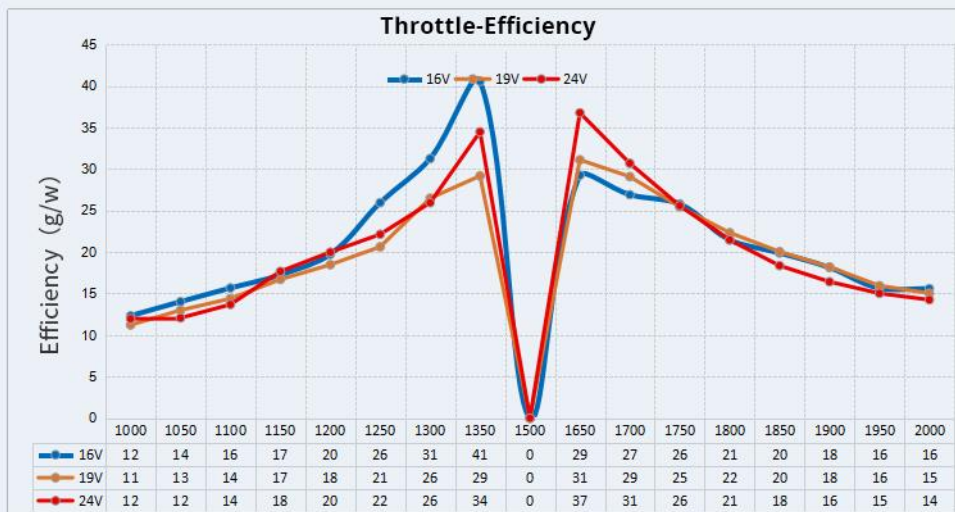
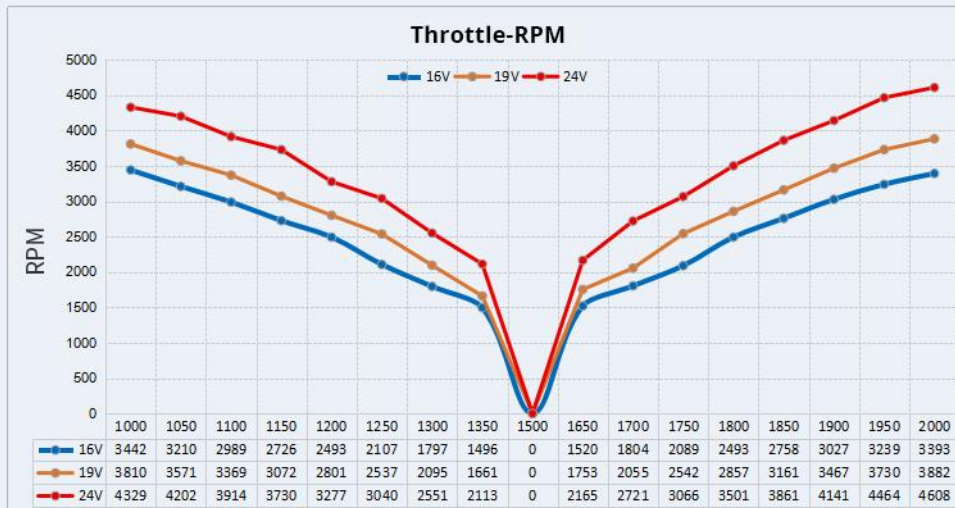


W30-6S-45A ESC - specification

Voltage	4-6S	Motor wires	Black 16AWG 100mm*3p
Continuous current	45A	Power wires	Red/Black 14AWG 200mm
Instant current	50A (10s)	Signal wires	PVC JR 3p
Standby loss	≤50mA	Throttle range	1000-2000us
Throttle flash frequency	400Hz	Weight	32.5g

Performance Curves





The data in the above pages are all from CubeMars internal labs and tested in specific environments (please see specific descriptions). Actual use may vary due to individual differences in products, software versions, use conditions as well as environmental factors, please refer to your actual use. To provide the most accurate product information, specifications and product features, CubeMars may adjust and correct the text descriptions and pictures on the above pages in real time to match the actual product performance, specifications, parameters, parts and other information. Due to product batches and production supply factors, the above mentioned modifications and adjustments will be made without notice.