

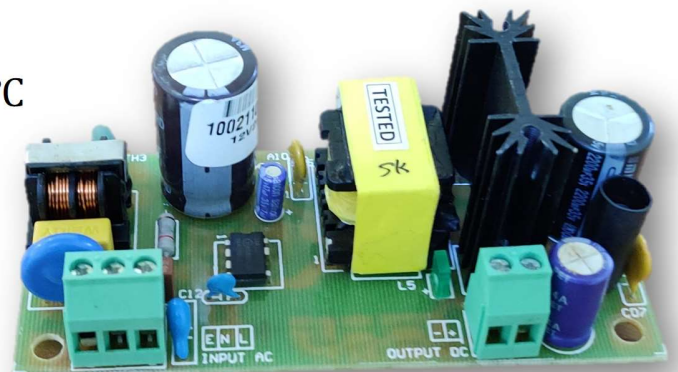
## AC/DC 72W OPEN TYPE SMPS

NHP-OS-72-X

### SALIENT FEATURES:

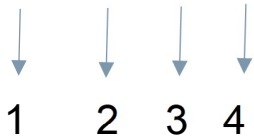
The OS-series is one of NHP's compact size power converter. It features universal AC input and at the same time accepts DC input voltage. It functions from a wide AC input range and at the same time accepts DC input voltage. Its main features are low no-load power consumption, high efficiency and high reliability. These power supply offer excellent EMC performance and meet international standards and are widely used in areas of industrial automation, street light control, electricity, security, telecommunications, smart home, etc.

- 170-270V Input AC
- Operating ambient temperature range: -40°C to +85°C
- High I/O isolation test voltage up to 3000VAC
- Regulated output, low ripple & noise
- Output short circuit, over-current protection
- High efficiency, high reliability



### ORDERING CODE:

NHP-OS-72-12



1	Company Name
2	OS- Open Type SMPS
3	Rated Output Power
4	Output Voltage

## SELECTION GUIDE:

Model Number	Output Power (Watt)	Output Voltage and Output Current (V/I)	Efficiency
NHP-OS-72-5-X	30W	5V/6A	>85%
NHP-OS-72-12-X	60W	12V/5A	
NHP-OS-72-24-X	72W	24V/3A	

## INPUT SPECIFICATIONS:

Item	Operating Conditions	Min.	Typ.	Max.	Unit
Input Voltage	AC Input	170	-	270	VAC
	DC Input	200	-	380	VDC
Input Voltage Frequency		40	-	70	Hz
Input Current	115VAC	-	-	0.4	A
	230VAC	-	-	0.25	
Inrush Current	115VAC	-	18	-	
	230VAC	-	35	-	
Leakage current	240VAC	<2 mA			
Recommended External Fuse		1A/250V Slow-blow			

## OUTPUT SPECIFICATIONS:

Item	Operating Conditions	Min.	Typ.	Max.	Unit
Output Voltage Accuracy		-	±1	-	%
Line Regulation	Full Load	-	±1	-	
Load Regulation	0%-100% Load	-	±1	-	
Ripple and Noise	20MHz bandwidth (peak-to-peak value)	-	150	-	mV
Stand-by Power Consumption	230 VAC	-	0.1	0.3	W
Temperature Coefficient		-	±0.02	-	%/°C
Short Circuit Protection		Hiccup, continuous, self-recover			
Over Current Protection		≥110%Io, self-recovery			



Min. Load		0			
Hold-up Time		-	20	-	mS

## GENERAL SPECIFICATIONS:

Item		Operating Conditions	Min.	Typ.	Max.	Unit
Isolation Test	Input-Output	Electric Strength Test for 1min	3000	-	-	VAC
Operating Temperature			-30	-	+60	°C
Storage Temperature			-30	-	+60	
Storage Humidity			-	-	95	%RH
Vibration			10-500 Hz 2G 10 min/cycle 60 mins each along XYZ axis			
Indication			Mains On			

## MECHANICAL SPECIFICATIONS:

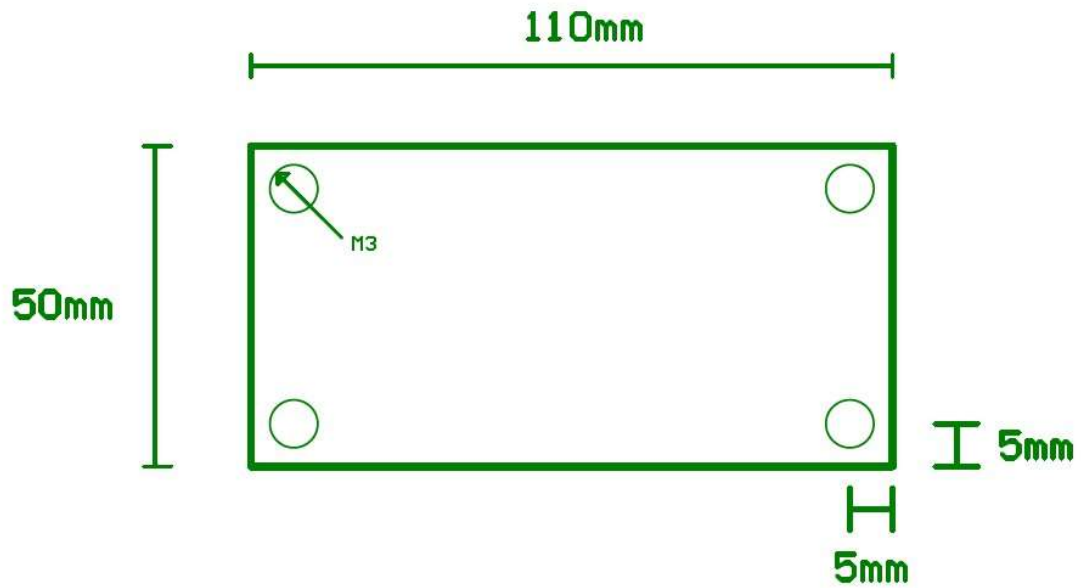
Dimensions: L*B*H	110*50*35mm (L*B*H)
Weight	250g
Cooling Method	Naturally Air Cooled

**MECHANICAL DRAWING:**

**NOTE:**

**All measurements are in mm.**

**All Mounting Holes are M3.**



**NHP POWER SYSTEMS**

MODEL NO :  
NHP-OS-50

PART DESCRIPTION:  
SMPS 50 WATTS

DRG BY : SOHAIL

VERSION-1

DRWG DATE 14-04-22

DRWG NO 4103J

