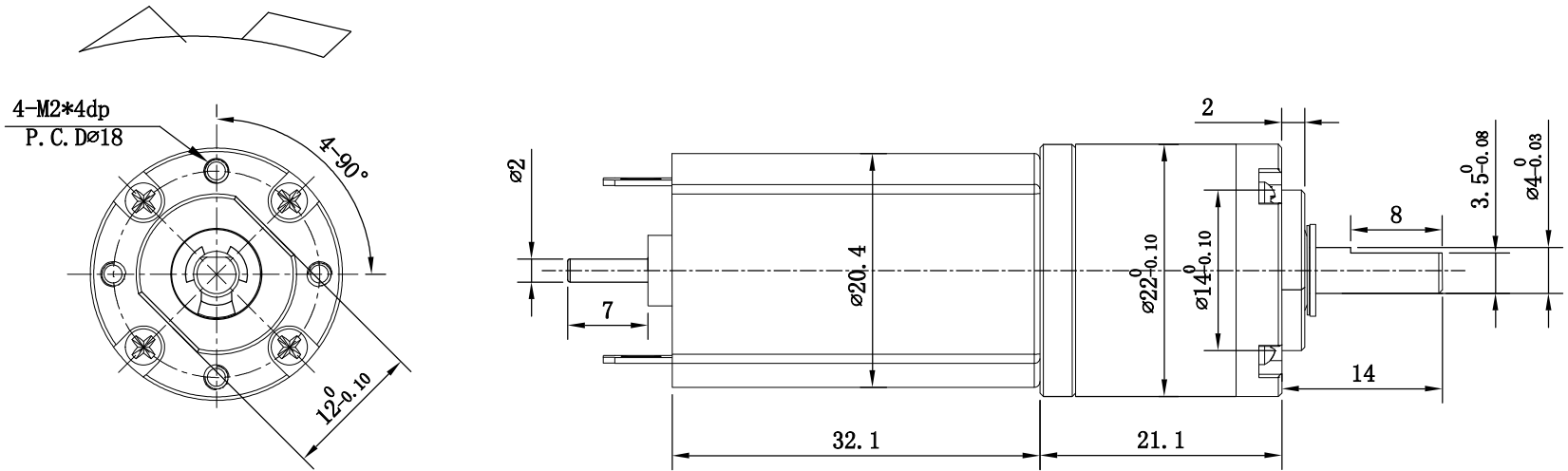


Drawing NO.	PG22A64K180H2490-000Y-1	Model No.	PG22180249000-64K	Voltage	24 DC
-------------	-------------------------	-----------	-------------------	---------	-------

Drawing

版次:1.0



客户确认 (Customer APP.):

商  
标

Details

Geared motor specification

No Load Current (A)	≤0.060
No Load Speed (r.p.m)	140 ± 10%
Rated Load Torque (kgf.cm)	1
Rated Current (A)	≤0.250
Rated Load Speed (r.p.m)	110 ± 10%
Stall Current (A)	
Torque (kgf.cm)	
Rotation Direction	CCW

NO.  
1  
2  
3  
4  
5  
6

备注

Draw

Rev

App.