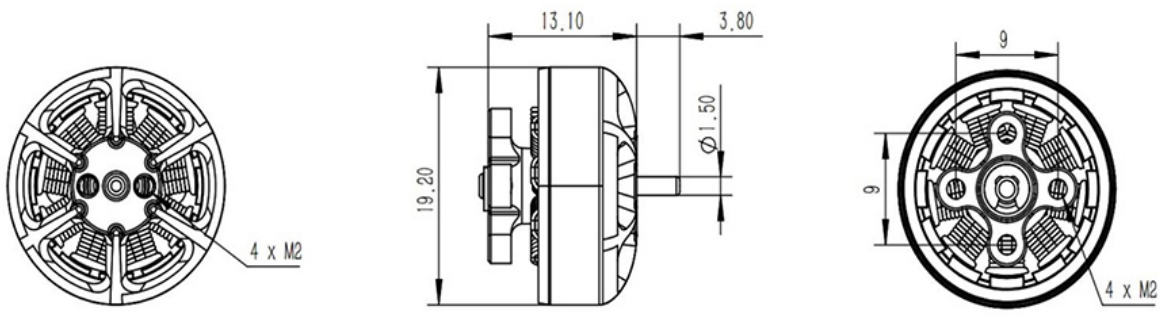


# DATURA 1404-3850KV

Technical Datas	
KV	3850
Configu-ration	9N12P
Stator Diamter	14mm
Stator Length	4mm
Shaft Diameter	1.5mm (2mm inside)
Motor Dimension(Dia.*Len)	Φ 19.2*16.9mm
Weight(g)	9 (3cm wire)
Idle current(10)@10V(A)	0.6
No.of Cells(Lipo)	3S-4S
Max Continuous Power(W)3S	226
Internal Resistance	240mΩ
Max Current(3S)	15.3A
Max.Efficiency Current	(4-6A)>83%



Prop (inch)	Voltages (V)	Throttle (%)	Load Currency (A)	Pull(g)	Power(W)	Efficiency(g/W)	Temperature(in full throttle load 3 Secs )
DAL T3018	11.1	50%	1.4	73	15.5	4.698	53°C
		100%	7.7	227	85.5	2.656	
	14.8	50%	2.3	122	25.5	4.779	73°C
		100%	12.5	361	138.8	2.602	
DAL T3028	11.1	50%	1.8	93	20.0	4.655	63°C
		100%	9.5	272	105.5	2.579	
	14.8	50%	2.9	150	42.9	3.495	80°C(HOT)
		100%	15.3	423	226.4	1.868	
GF 3028*3	11.1	50%	1.4	90	15.5	5.792	61°C
		100%	8.2	263	91.0	2.889	
	14.8	50%	2.8	150	41.4	3.620	75°C
		100%	13.3	411	196.8	2.088	
GF4*2*2	11.1	50%	1.7	151	18.9	8.002	53°C
		100%	7.6	361	84.4	4.279	