

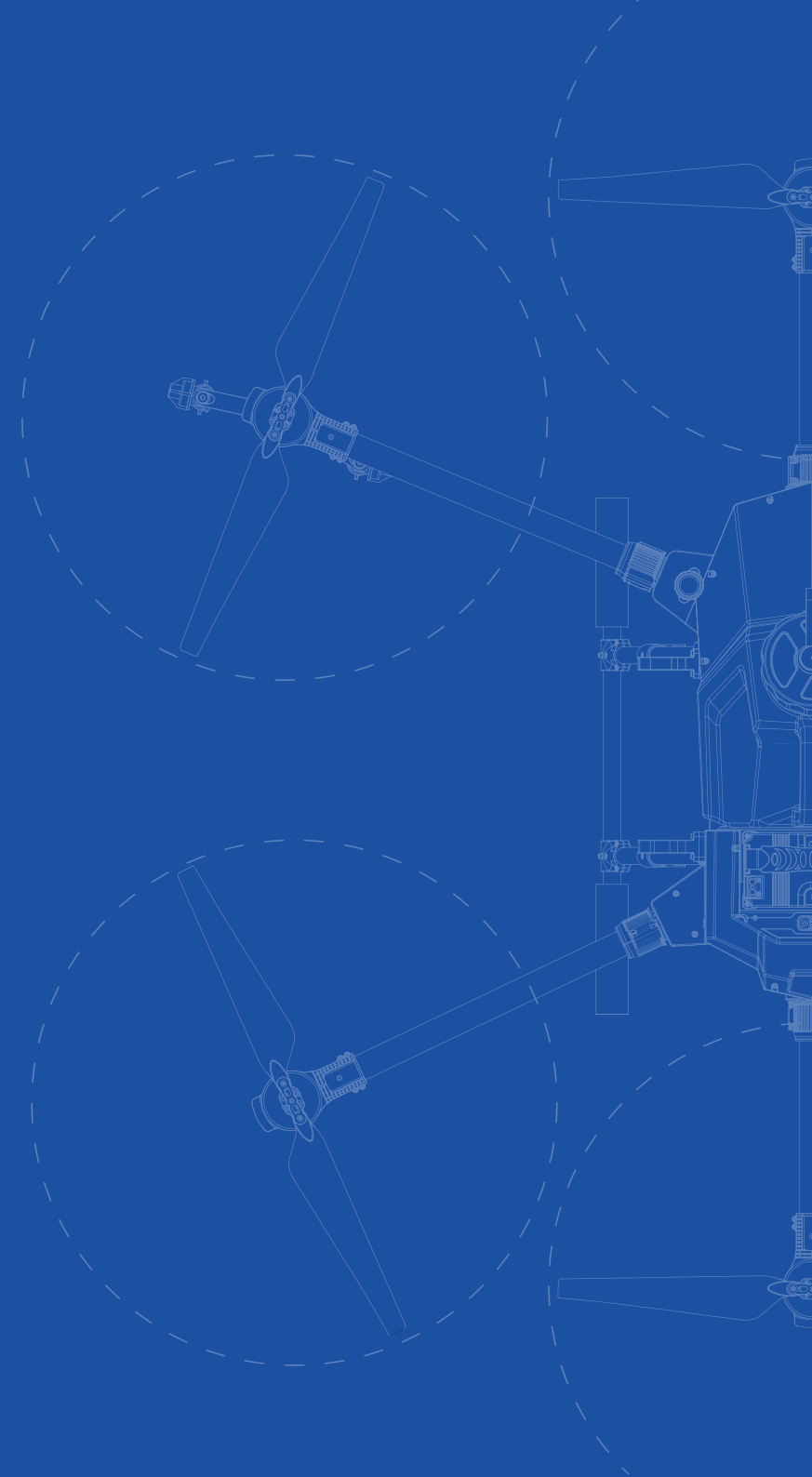


PRODUCT CATALOG

- Innovation
- Quality
- Service

EFT Electronic Technology Co. Ltd

<https://en.effort-tech.com>



PROFILE

EFT Electronic Technology Co. Ltd. established in 2015, It is a professional UAV system solution provider . The products cover agricultural drone frames, granule spreading systems, power distribution management modules, spraying systems, etc..Customers come from over 100 countries ●



All products have completely independent property rights, won various national patents, and passed the ISO 9001 system certification. Importantly, our company has also won the honorary titles of National High-tech Enterprise、Hefei Specialized New Enterprise、Industrial Design Center, Key Industrial Enterprise etc. EFT is committed to providing professional UAV solutions and promoting the development of the global UAV supply chain ●



GX SEREIS

Large load · Flagship model



Integrated Body



2 battery solutions



Cross-fold



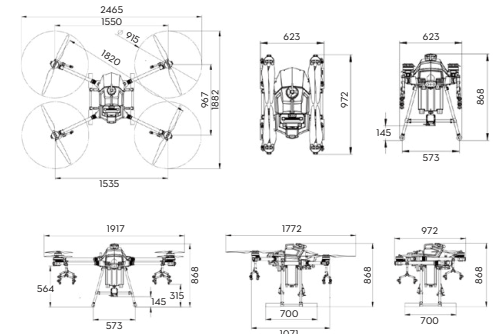
Waterproof



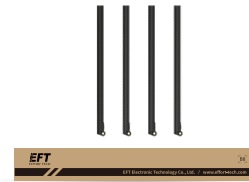
Multi-purpose



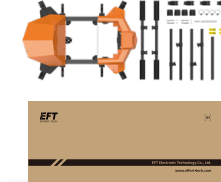
Wheelbase	2038mm
Tank capacity	20L
Frame (net weight)	7.73kg
Tank (net weight)	1.62kg
Expand size	2465*1882*868mm
Folded size	972*623*868mm
Color	Orange/White
Recommended motor	X9 Plus 36inch
Recommended Battery	22000mah (14s)
Arm diameter	40mm



PACKAGE



795mm*125mm*105mm / 1.4kg



760mm*574mm*313mm / 10.6kg



620mm*360mm*295mm / 3.4kg

OPTIONAL COMBO

- Standard Set



Framex1

- Sprayer & motor set PNP

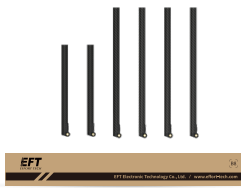


Package content:

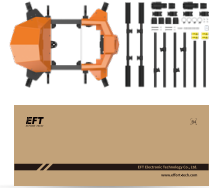
G420 drone frame	x1	Universal spray pneumatic packet
X9PLUS motor set	x6	Pneumatic connector
8L brushless pump	x1	Radar RTK Mount
Integrated Y-type Nozzle	x4	Assembly parts package

Wheelbase	2028mm	
Tank capacity	20L	
Frame (net weight)	8.14kg	
Tank (net weight)	1.62kg	
Expand size	2641*2568*885mm	
Folded size	1192*623*885mm	
Color	Orange/White	
Recommended motor	X9 34inch	
Recommended Battery	22000mah (14s)	
Arm diameter	40mm	

PACKAGE



795mm*125mm*105mm / 1.95kg



760mm*574mm*313mm / 10.6kg



620mm*360mm*295mm / 2.8kg

OPTIONAL COMBO

• Standard Set



FrameX1

• Sprayer & motor set PNP



Package content:

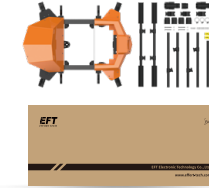
G620 drone frame	x1	Universal spray pneumatic packet
X9 motor set	x6	Pneumatic connector
8L brushless pump	x1	Radar RTK Mount
Integrated Y-type Nozzle	x4	Assembly parts package

Wheelbase	2028mm	
Tank capacity	30L	
Frame (net weight)	8.08kg	
Tank (net weight)	1.54kg	
Expand size	2692*2619*885mm	
Folded size	1192*623*885mm	
Color	Orange/White	
Recommended motor	X9 Plus 36inch	
Recommended Battery	28000mah (14s)	
Arm diameter	40mm	

PACKAGE



795mm*125mm*105mm / 1.95kg



760mm*574mm*313mm / 10.4kg



620mm*360mm*295mm / 2.8kg

OPTIONAL COMBO

• Sprayer & motor set PNP



Package content:

G630 drone frame	x1	Universal spray pneumatic packet
X9PLUS motor set	x6	Pneumatic connector
8L brushless pump	X1	Radar RTK Mount
Integrated Y-type Nozzle	x4	Assembly parts package

• All-round & motor sets PNP



Package content:

G630 drone frame	x1	EPS240	x1
X9PLUS motor set	x6	Universal spray pneumatic packet	
8L brushless pump	X1	Pump expansion wire, Pneumatic connector	
Integrated Y-type Nozzle	x4	Radar RTK Mount, Assembly parts package	

G10SERIES

Plug-in design · Simple & Efficient



Integrated body



Quick release design



Cross-fold

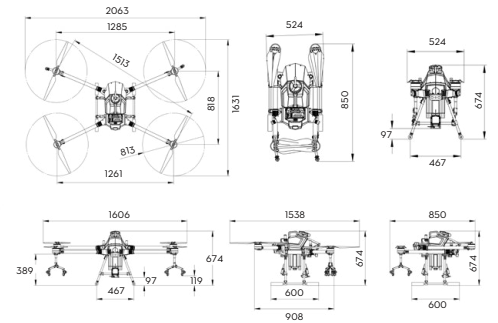


Waterproof

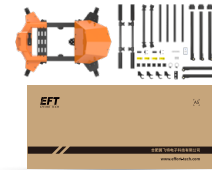


Easy assemble

Wheelbase	1513mm
Tank capacity	10L
Frame (net weight)	6.47kg
Tank (net weight) /2pcs	2.32kg
Folded size	850*524*674mm
Expanded size	2063*1631*674mm
Color	Orange/White
Recommended motor	X8 30inch prepeller
Recommended Battery	16000mah 12s
Arm diameter	40mm



PACKAGE



660mm*490mm*300mm / 7.35kg



495mm*404mm*270 / 2.4kg

OPTIONAL COMBO

- Standard Set



Framex1

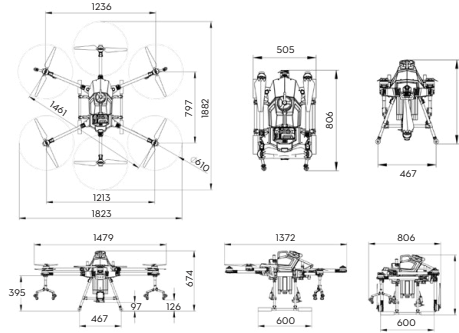
- Sprayer & motor set PNP



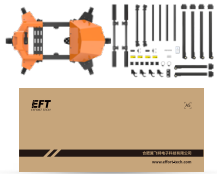
Package content:

- | | | |
|--------------------------|----|----------------------------------|
| G410 drone frame | x1 | Universal spray pneumatic packet |
| X8 motor set | x4 | Motor parts packet |
| 5L brushless pump | x1 | Radar RTK Mount |
| Integrated Y-type Nozzle | x2 | Assembly parts package |

Wheelbase	1460mm
Tank capacity	10L
Frame (net weight)	6.64kg
Tank (net weight) /2pcs	2.32kg
Folded size	806*505*674mm
Expanded size	1823*1882*674mm
Color	Orange/White
Recommended motor	X6 23inch
Recommended Battery	16000mah 12s
Arm diameter	30mm



PACKAGE



660mm*490mm*300mm / 7.4kg



495mm*404mm*270 / 2.4kg

OPTIONAL COMBO

- Standard Set



FrameX1

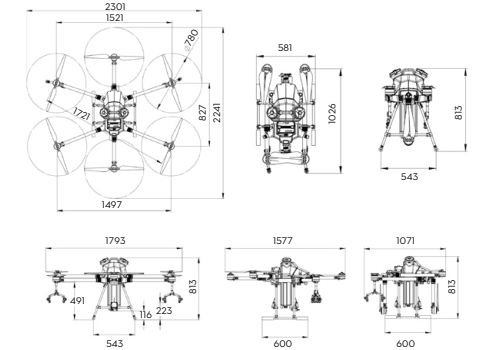
- Sprayer & motor set PNP



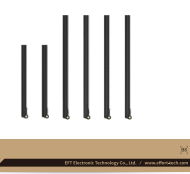
Package content:

G610 drone frame	x1	Universal spray pneumatic packet
X6 motor set	x6	Motor parts packet
5L brushless pump	x1	Radar RTK Mount
Integrated Y-type Nozzle	x2	Assembly parts package

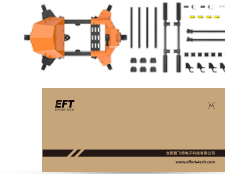
Wheelbase	1721mm
Tank capacity	16L
Frame (net weight)	5.76kg
Tank (net weight) /2pcs	2.8kg
Expand size	2301*2241*813mm
Folded size	1026*581*813 mm
Color	Orange/White
Recommended motor	X8 30inch
Recommended Battery	22000mah 12s
Arm diameter	40mm



PACKAGE



795mm*125mm*105mm / 1.95kg



660mm*490mm*300mm / 8kg



680mm*440mm*385mm / 3.5kg

OPTIONAL COMBO

- Standard Set



Package content:

G616 drone frame	x1	Universal spray pneumatic packet
X8 motor set	x6	Pneumatic connector
5L brushless pump	X1	Radar RTK Mount
Integrated Y-type Nozzle	x2	Assembly parts package

- All-round & motor sets PNP



Package content:

G616 frame	x1	EPS220	x1
X8 motor set	x6	Universal spray pneumatic packet	
5L brushless pump	X1	Pump expansion wire, Pneumatic connector	
Integrated Y-type Nozzle	x4	Radar RTK Mount, Assembly parts package	

EP Hexacopter

Sturdy and durable · Classic bestseller



All-in-one



bigger inlet



Classic Fold



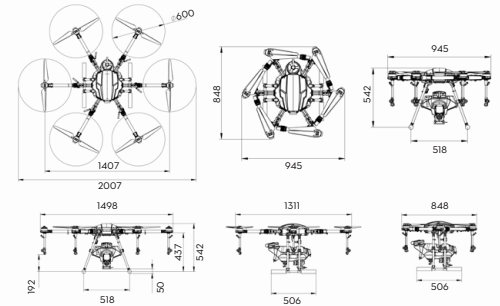
Waterproof



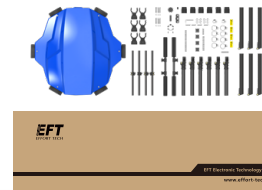
Integrated PDB



Wheelbase	1407mm
Tank capacity	11L
Frame (net weight)	5.92kg
Tank (net weight)	1.11kg
Expand size	2007*1498*542mm
Folded size	945*848*542mm
Color	Blue/White
Recommended motor	X6 23inch
Recommended Battery	16000mah (12S)
Arm diameter	30mm



PACKAGE



715mm*440mm*210mm / 7.55kg



485mm*345mm*245mm / 1.92kg

OPTIONAL COMBO

- Standard Set



Framex1

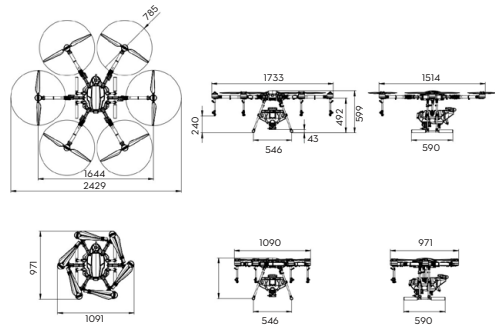
- Sprayer & motor set PNP



Package content:

E610P drone frame	x1	Universal spray pneumatic packet
X6 motor set	x6	Motor parts packet
5L brushless pump	x1	Radar RTK Mount
Extended spray bar	x4	Assembly parts package

Wheelbase	1648mm
Tank capacity	17L
Frame (net weight)	6.41kg
Tank (net weight)	1.5kg
Expand size	2429*1733*599mm
Folded size	1091*970*579 mm
Color	Blue/White
Recommended motor	X8 30inch
Recommended Battery	22000mah (12S)
Arm diameter	35mm/40mm



PACKAGE



715mm*440mm*210mm / 8.2kg



485mm*345mm*245mm / 2.27kg

OPTIONAL COMBO

- Standard Set



Frame x1

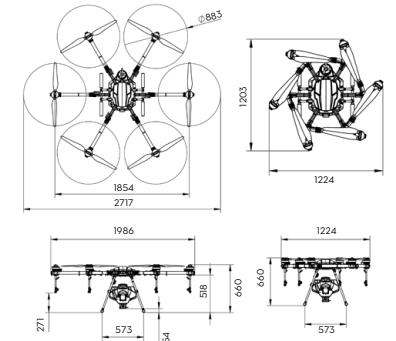
- Sprayer & motor set PNP



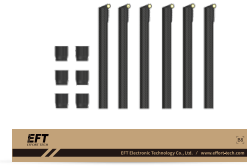
Package content:

E616P drone frame	x1	Universal spray pneumatic packet
X8 motor set	x6	Motor parts packet
5L brushless pump	x1	Radar RTK Mount
Extended spray bar	x4	Assembly parts package

Wheelbase	1854mm
Tank capacity	22L
Frame (net weight)	5.6kg
Tank (net weight)	1.9kg
Expand size	2717*2717*660mm
Folded size	1224*1203*660mm
Color	blue/white
Recommended motor	X9 34inch
Recommended Battery	22000mAh (14S)
Arm diameter	40mm



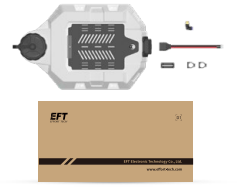
PACKAGE



795mm*125mm*105mm / 1.95kg



715mm*440mm*210mm / 7.55kg



615mm*400mm*320mm / 2.6kg

OPTIONAL COMBO

- Standard Set



Frame x1

- Sprayer & motor set PNP



Package content:

E620P drone frame	x1	Universal spray pneumatic packet
X9 motor set	x6	Motor parts packet
8L brushless pump	x1	Radar RTK Mount
Extended spray bar	x4	Assembly parts package

EPQuadcopter

Sturdy and durable · Classic bestseller



All-in-one



bigger inlet



Classic Fold



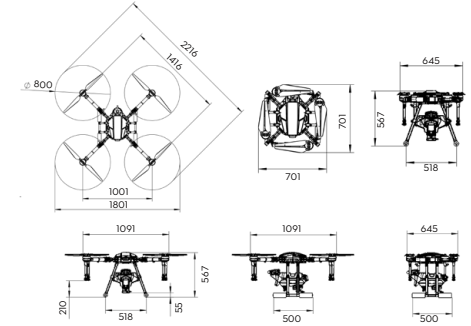
Waterproof



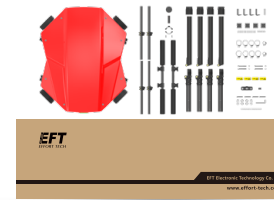
Integrated PDB



Wheelbase	1416mm
Tank capacity	11L
Frame (net weight)	5kg
Tank (net weight)	1.11kg
Expand Size	1801*1801*567mm
Folded size	701*701*567mm
Color	Red/White
Recommended motor	X8 30inch
Recommended Battery	16000mah(12S)
Arm diameter	35mm/40mm



PACKAGE



715mm*440mm*210mm / 6.5kg



485mm*345mm*245mm / 1.92kg

OPTIONAL COMBO

- Standard Set



Frame1

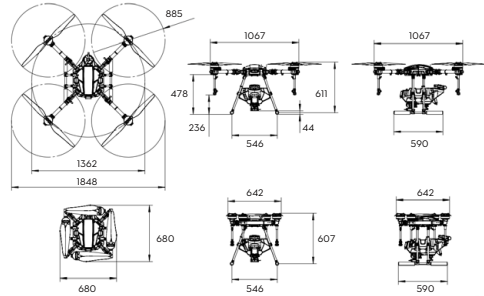
- Sprayer & motor set PNP



Package content:

E410P drone frame	x1	Universal spray pneumatic packet
X8 motor set	x6	Motor parts packet
5L brushless pump	x1	Radar RTK Mount
Extended spray bar	x4	Assembly parts package

Wheelbase	1362mm
Tank capacity	17L
Frame (net weight)	5.07kg
Tank (net weight)	1.5kg
Expand Size	1848*1848*607mm
Folded size	680*680*607mm
Color	Red/White
Recommended motor	X9 34inch
Recommended Battery	22000mah (12S)
Arm diameter	40mm



PACKAGE



715mm*440mm*210mm / 6.65kg



485mm*345mm*245mm / 2.27kg

OPTIONAL COMBO

• Standard Set



Framex1

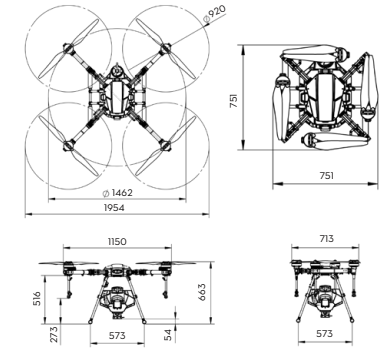
• Sprayer & motor set PNP



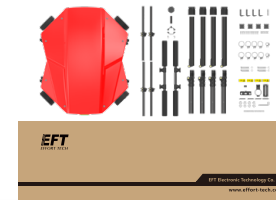
Package content:

E416P drone frame	x1	Universal spray pneumatic packet
X9 motor set	x4	Motor parts packet
5L brushless pump	x1	Radar RTK Mount
Extended spray bar	x4	Assembly parts package

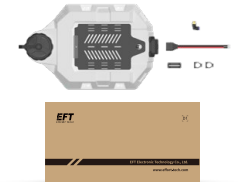
Wheelbase	1462mm
Tank capacity	22L
Frame (net weight)	5.14kg
Tank (net weight)	1.9kg
Expand Size	1954*1954*663mm
Folded size	713*713*663mm
Color	red/white
Recommended motor	X9PLUS 36inch
Recommended Battery	22000mAh (14S)
Arm diameter	40mm



PACKAGE



715mm*440mm*210mm / 6.5kg



615mm*400mm*320mm / 2.6kg

OPTIONAL COMBO

• Standard Set



Framex1

• Sprayer & motor set PNP



Package content:

E420P drone frame	x1	Universal spray pneumatic packet
X9 plus motor set	x4	Motor parts packet
8L brushless pump	x1	Radar RTK Mount
Extended spray bar	x4	Assembly parts package

G06 SEREIS

Lightweight · Flexible&Portable



Integrated body



Quick release



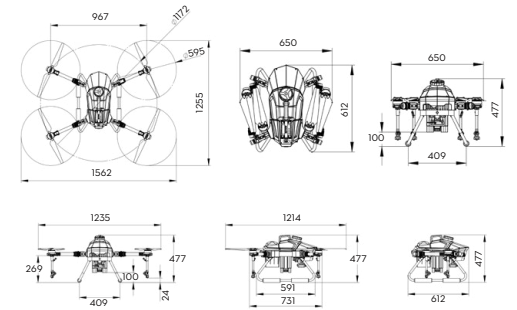
Modular design



Rectangular structure



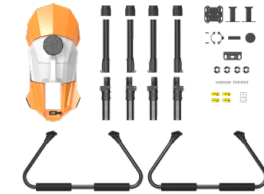
Wheelbase	1172mm
Tank capacity	6L
Frame (net weight)	5.4kg
Tank (net weight)	0.75kg
Expand Size	1562*1255*477mm
Folded size	650*612*477mm
ESC	60-80A FOC
Recommended motor	X6 23inch
Recommended Battery	8000mh 12S
Arm diameter	30mm



PACKAGE



620mm*320mm*405mm / 11.3kg



OVERALL DISPLAY



G20 SERIES

Large capacity · Double backup



22L large load



Dual backup



Tower-type FC



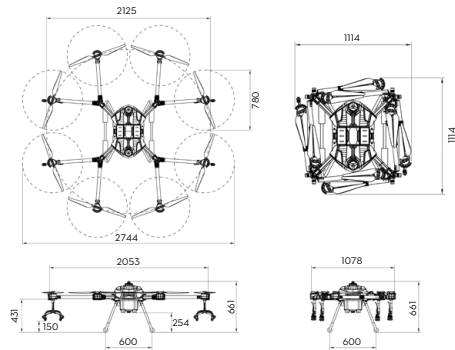
Pensile radar bin



Waterproof



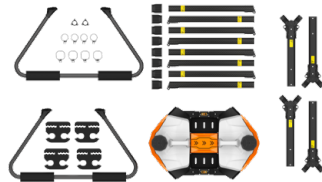
Wheelbase	2125mm
Tank capacity	11L*2PCS
Frame (net weight)	14.21kg
Tank (net weight)	1.51kg
Expand Size	2744*2744*661mm
Folded size	1114*1114*661mm
Color	Orange
Recommended motor	X8 30inch
Recommended Battery	16000mah 12s
Arm diameter	40mm



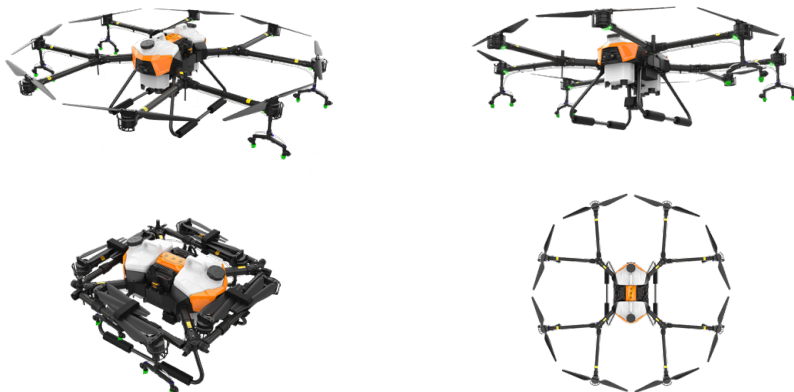
PACKAGE



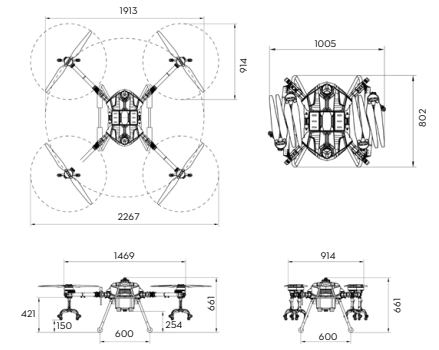
860mm*540mm*425mm / 17.9kg



OVERALL DISPLAY



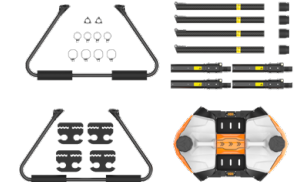
Wheelbase	1913mm
Tank capacity	11L*2PCS
Frame (net weight)	13.1kg
Tank (net weight)	1.51kg
Expand Size	2267*2267*661mm
Folded size	1005*802*661mm
Color	Orange
Recommended motor	X9Plus 36inch
Recommended Battery	16000mah 12s
Arm diameter	40mm



PACKAGE



860mm*540mm*425mm / 15kg



OVERALL DISPLAY



X SERIES

Multifunctional flight platform



Modular design



Umbrella folding



Scalable platform



Waterproof

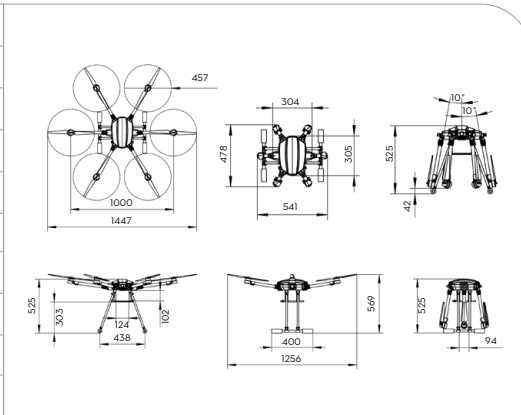


Separate arm

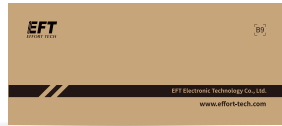


X6100

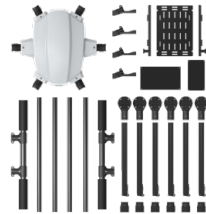
Wheelbase	1000mm
Frame (net weight)	2.82kg
Effective load	0-3kg
Expand size	1447*1447*525mm
Folded size	541*478*525mm
Recommended motor	E5 17-18 INCH
Recommended battery	16000-22000MAH (6S)
Color	white/black
Flight time (Empty load)	30min
Arm diameter	25mm



PACKAGE



455mm*440mm*200mm / 4kg

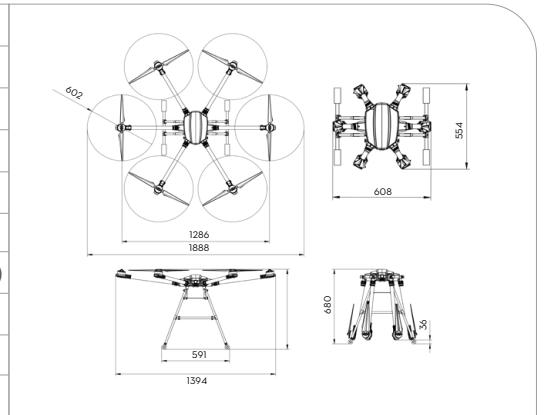


OVERALL DISPLAY

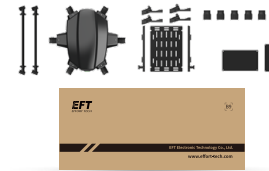


X6120

Wheelbase	1290mm
Frame (net weight)	3.04kg
Effective load	0-5kg
Expand size	1286*1286*680mm
Folded size	608*554*680mm
Recommended motor	X6 22-24inch
Recommended battery	16000-22000MAH (12S)
Color	white/black
Flight time (Empty load)	50min
Arm diameter	30mm



PACKAGE

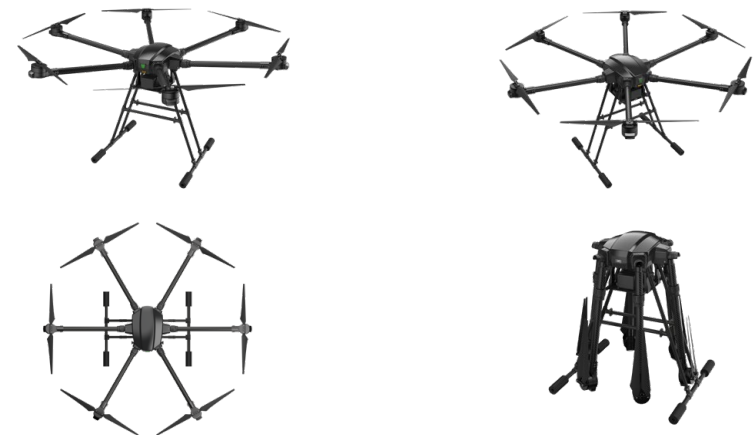


455mm*440mm*200mm / 4kg



560mm*160mm*85mm / 1.6kg

OVERALL DISPLAY



V2.0

Granule Spreading System



360°spreading



Free-tool



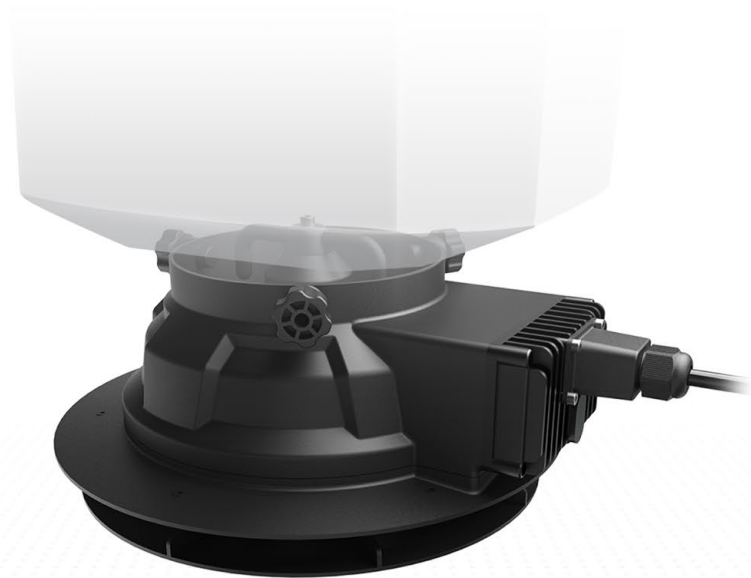
Double control modes



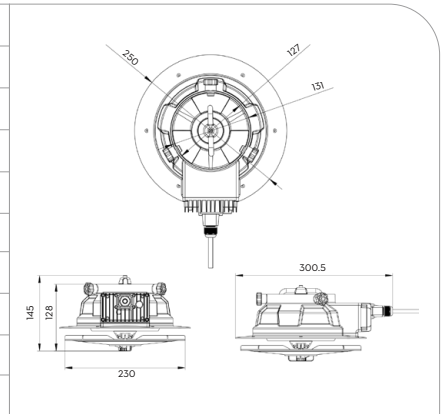
IP67



Compatible



Net weight	1.9kg
Support particle diameter	0.5-6mm(Dry particle)
Maximum warehouse area	43cm ²
Valve angle	0-60°
Spreader width	12m
Speed control signal	1000us-2000us
Voltage range	DC24V-80V
Maximum power	150W
Dimensions	300*250*145mm
Protection level	IP67



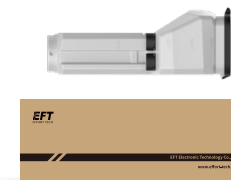
OVERALL DISPLAY



PACKAGE



370mm*290mm*178mm / 2.5kg

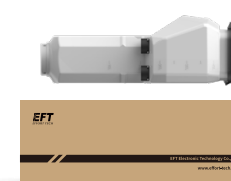


766mm*438mm*289mm / 2.56kg

EPS200



370mm*290mm*178mm / 2.5kg

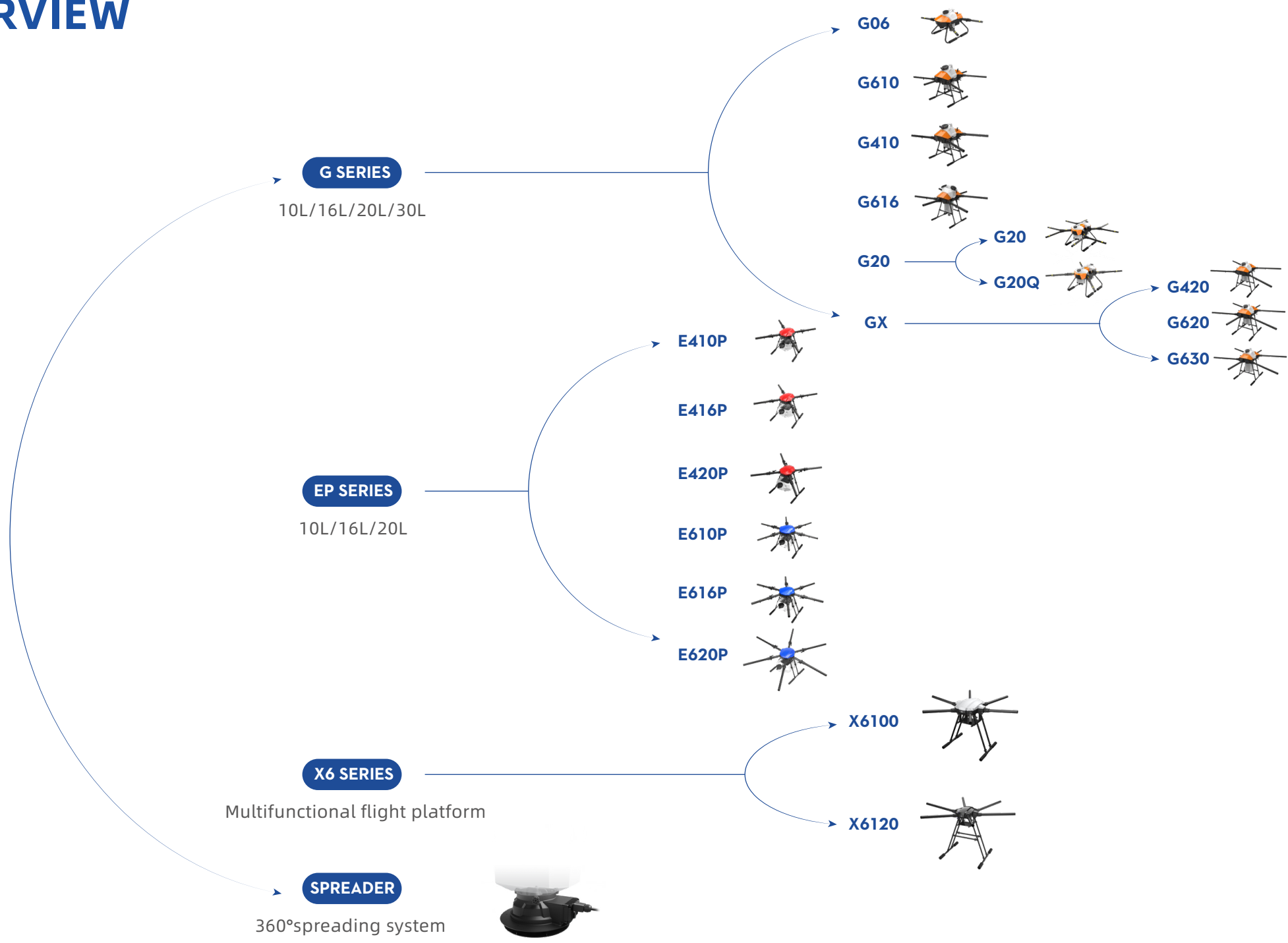


766mm*438mm*289mm / 3.5kg

EPS240

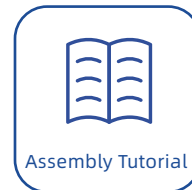
OVERVIEW

EFT

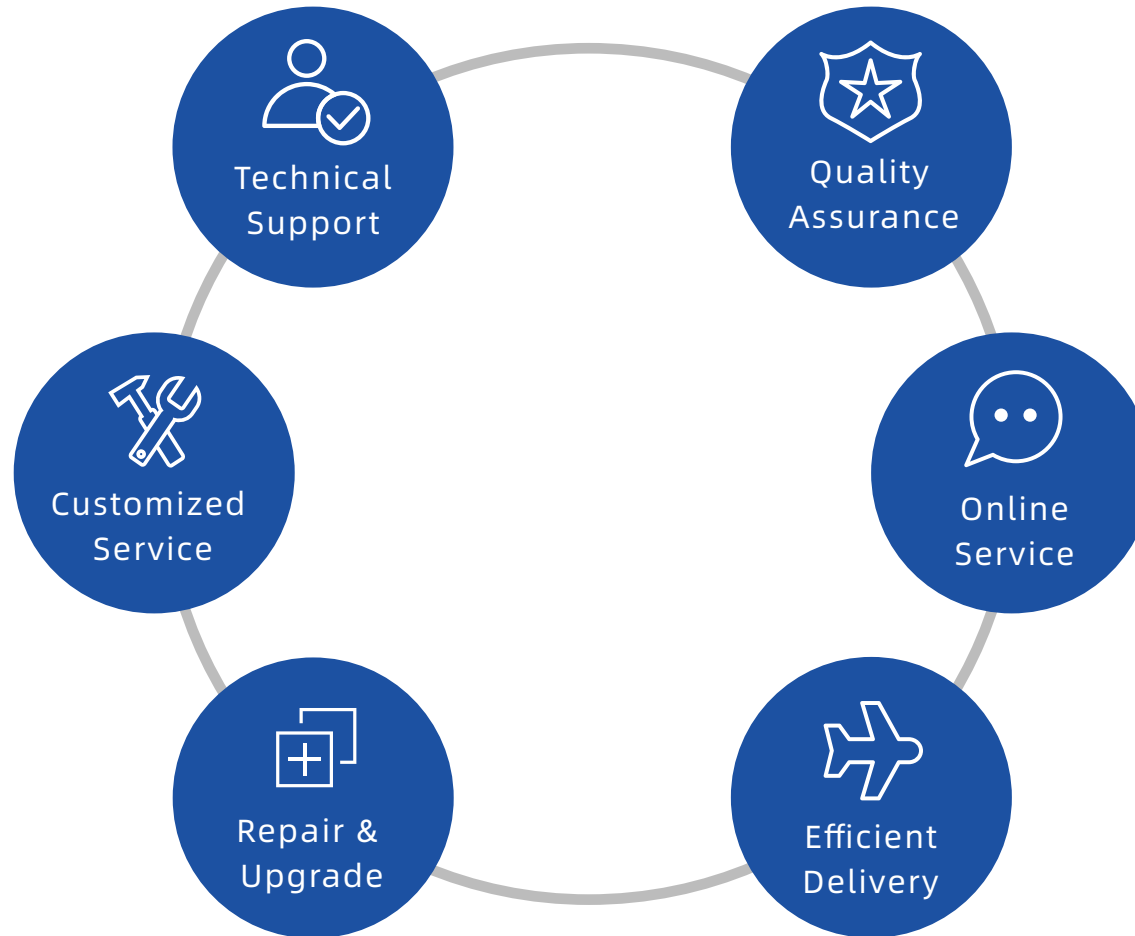


ATTENTION

- Please purchase products from EFT official channels or authorized agents. Counterfeit and unreasonably priced products can't enjoy technical support and after-sales service.
- All EFT products can enjoy 100% quality assurance. If you meet quality problem after receiving the goods, the free replacement service can be applied, eliminate human and subjective factors.
- Our company provides semi-finished drone frame and related device parts. Technical experience is required to operate the drones. Please check the product technical parameters and local regulations in detail before purchasing.
- Please assemble the product strictly in accordance with the "Product Installation Manual". Any direct or indirect damage and loss caused by modification and improper operation is not a product quality problem and can't enjoy warranty.



AFTER-SALE SERVICE



FAQ

1.How long is the lead time?

1-20pcs within 7days / 20-300pcs within 15days / >300pcs within 1month

2.Do you provide technical services?

Yes, All products provide manual, and installation tutorial

3. Can you provide quality assurance services?

Yes, products purchased from the EFT official channels can be provided. After receiving the goods, if meet quality problem, you can apply for replacements

4.What product services are available?

Drone frame set, Spraying system, Spreading system, Complete Drone system solution

5.Which payment is acceptable?

TT, Trade Assurance, Paypal, Alipay ,Wechat



EFT Electronic Technology Co. Ltd



Tel: 0551-65536542

Email: infor@effort-tech.com

Web: <https://en.effort-tech.com>

Online shop : <https://aheft.en.alibaba.com>

Address: Tsinghua Tus Robotics Industry Base, No. 68 Jinxiu Avenue, Economic Development Zone, Hefei