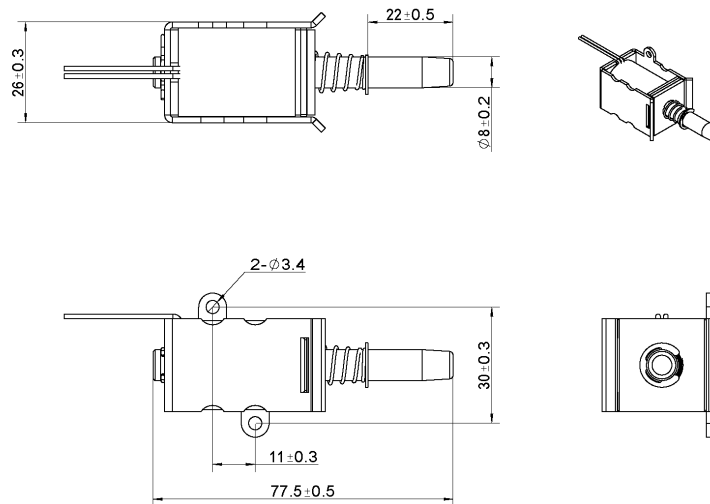
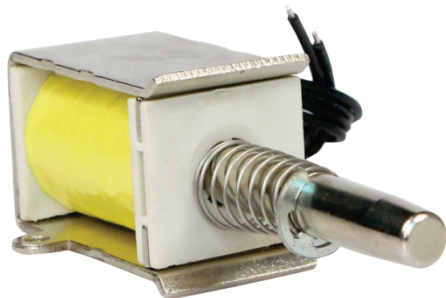


Solenoid

# AJK-T0902



## Product Specification

Rated Voltage	Rated Current	Resistance	Max. Stroke	Hold Force	Load
DC 12.0 V	600 mA	$20\Omega \pm 10\%$	6 mm	0.5 N	Pull
DC 24.0 V	480 mA	$50\Omega \pm 10\%$	6 mm	0.5 N	Pull



爱家康

流体全面解决方案提供商

XIAMEN AJK TECHNOLOGY CO., LTD.

+86-0592-2610721 +86-0592-2610791 <http://www.xmajk.com>