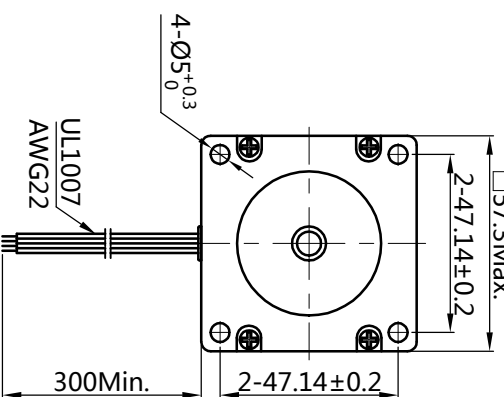
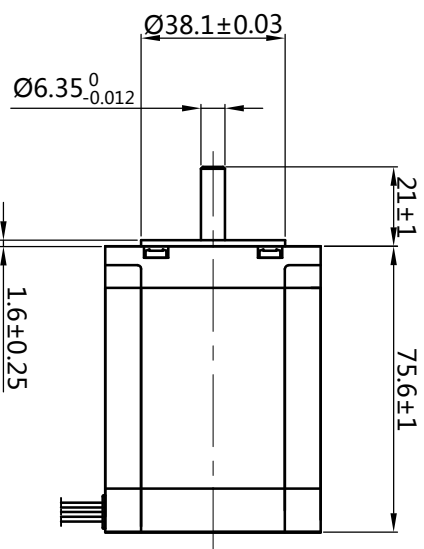
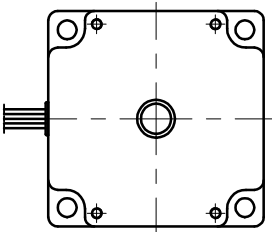
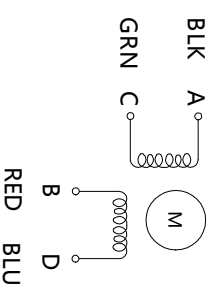


HYBRID STEPPING MOTOR SPECIFICATION

DIMENSIONS unit=mm



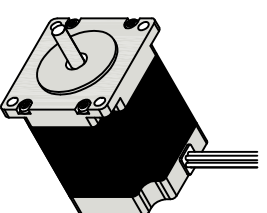
Wiring Diagram



Exciting Sequence vs. Direction of Rotation

STEP	A	B	C	D	
1	+	+	-	-	
2	-	+	+	+	
3	-	-	+	+	
4	+	-	-	+	

Clockwise view from mounting side



Specifications		Comment	
1. Number of Phase	2		
2. Step Angle	0.9° deg.		
3. Rated Voltage	3.2 V		
4. Rated Current/Phase	2.8 A (Peak Value)		
5. Phase Resistance	1.15 Ω±10%(20°C)		
6. Phase Inductance	5.6 mH±20%(1kHz 1V RMS)		
7. Holding Torque	18 Kg cm		
8. Insulation Class	B (130°) : 80K Max.		
9. Weight	1.1 kg		

REVISION RECORD

REV.	DESIGN	YY	2020.06.28	DATE
	STANDARD			
	TECHNOLOGY			
	CHECK			
	APPROVE			

www.jkongmotor.com

Specification

TITLE	STEPPIING MOTOR
DWG.NO.	JK57HM76-2804
MATERIAL	ECN SIGN
REV.	A
SCALE	1:2
SHEET	1 of 1
SIZE	A4