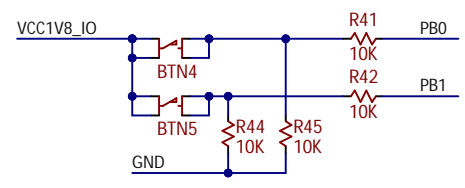


### MIO BUTTON

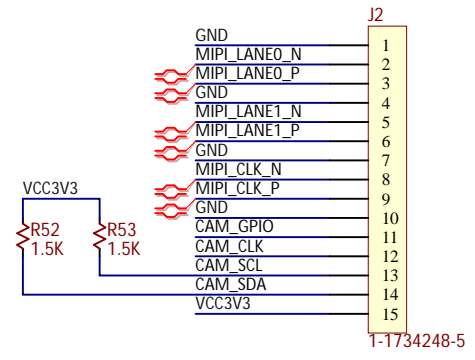
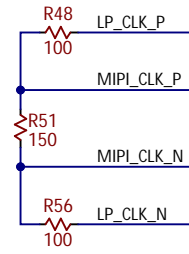
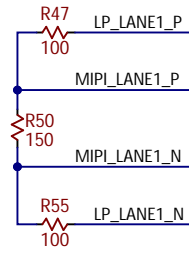
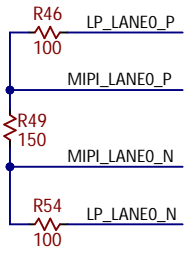


Terms of Use. The contents are provided "AS IS". DIGILENT DISCLAIMS ALL WARRANTIES, EITHER EXPRESS OR IMPLIED, INCLUDING, BUT NOT LIMITED TO, THE IMPLIED WARRANTIES OF MERCHANTABILITY, FITNESS FOR A PARTICULAR PURPOSE, AND NON-INFRINGEMENT OF INTELLECTUAL PROPERTY. The contents could contain technical inaccuracies, typographical errors or out-of-date information. Information may be updated or changed at any time, without notice. Use of such information is therefore at your own risk. Digilent may at any time revise these Terms of Use. You are bound by such revisions and should therefore visit <https://store.digilentinc.com/terms-of-use/> to review the current Terms of Use.

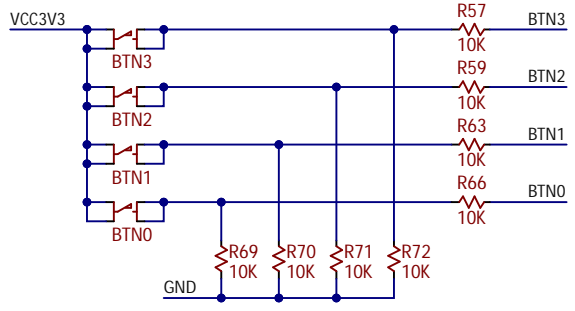
Limitation of Liability. DIGILENT WILL NOT BE LIABLE FOR DIRECT, INDIRECT, SPECIAL, INCIDENTAL, COVER, ECONOMIC, OR CONSEQUENTIAL DAMAGES ARISING OUT OF THE USE OR INABILITY TO USE THE CONTENTS EVEN IF DIGILENT IS ADVISED OF THE POSSIBILITY OF SUCH DAMAGES.

- Foot
- F1
- Foot
- F2
- Foot
- F3
- Foot
- F4

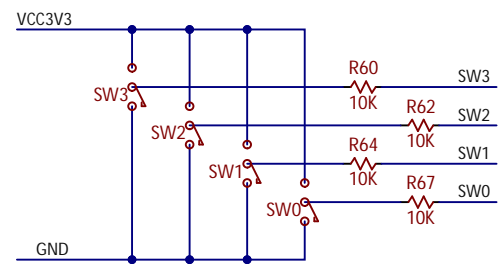
Title <b>ZYBO Z7</b>		Rev <b>D.1</b>
Circuit PMODs, MIO	Doc# 500-351	
Engineer EG, IC	Author GMA	
Date 02/24/2022	Sheet# 1 out of 14	
Copyright 2022		



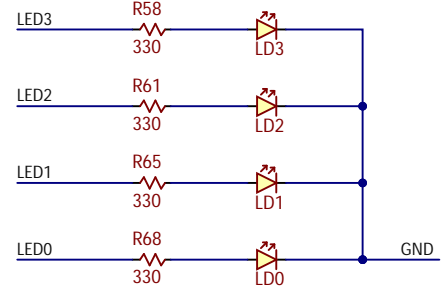
### PL BUTTONS



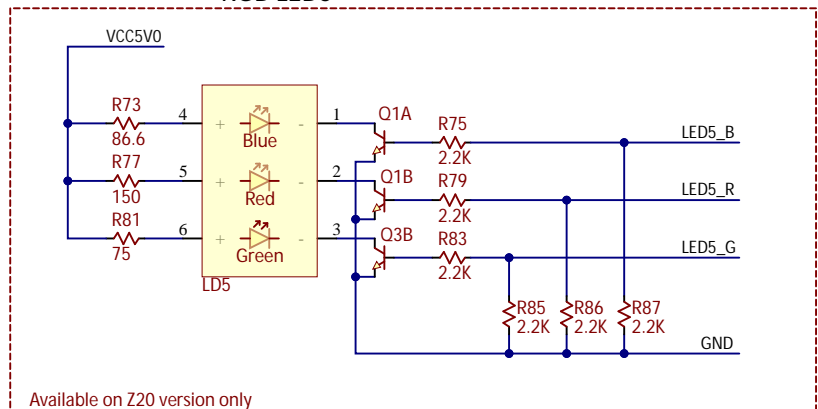
### PL SWITCHES



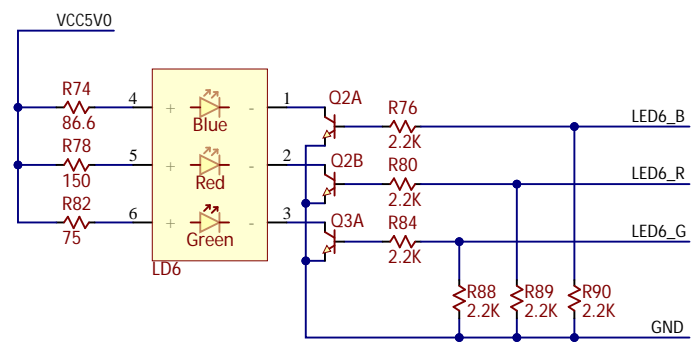
### PL LEDs



### RGB LEDs



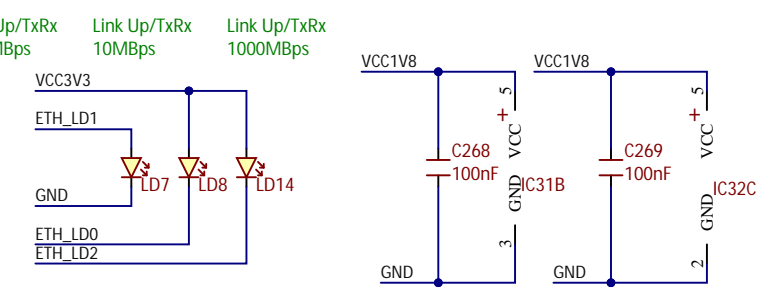
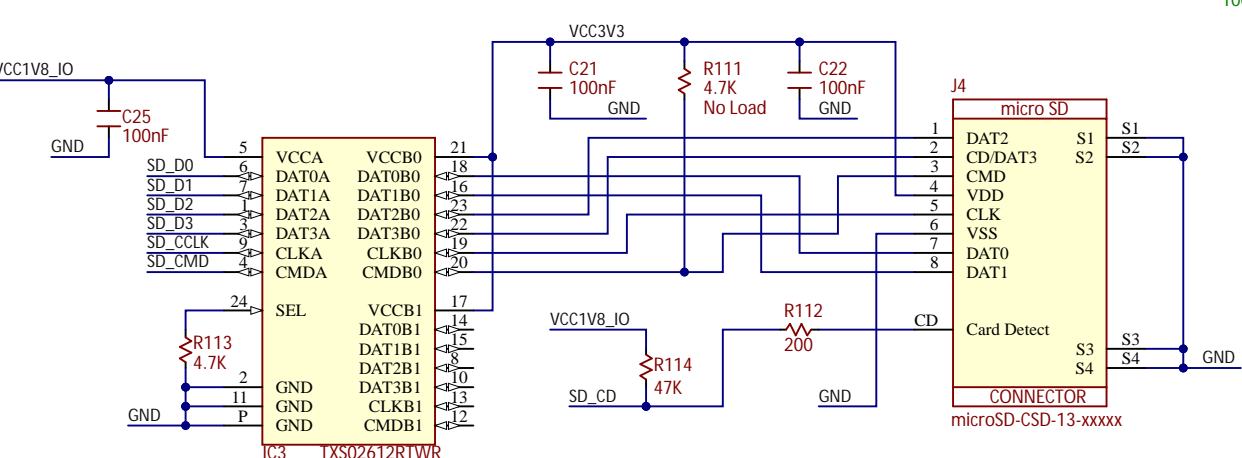
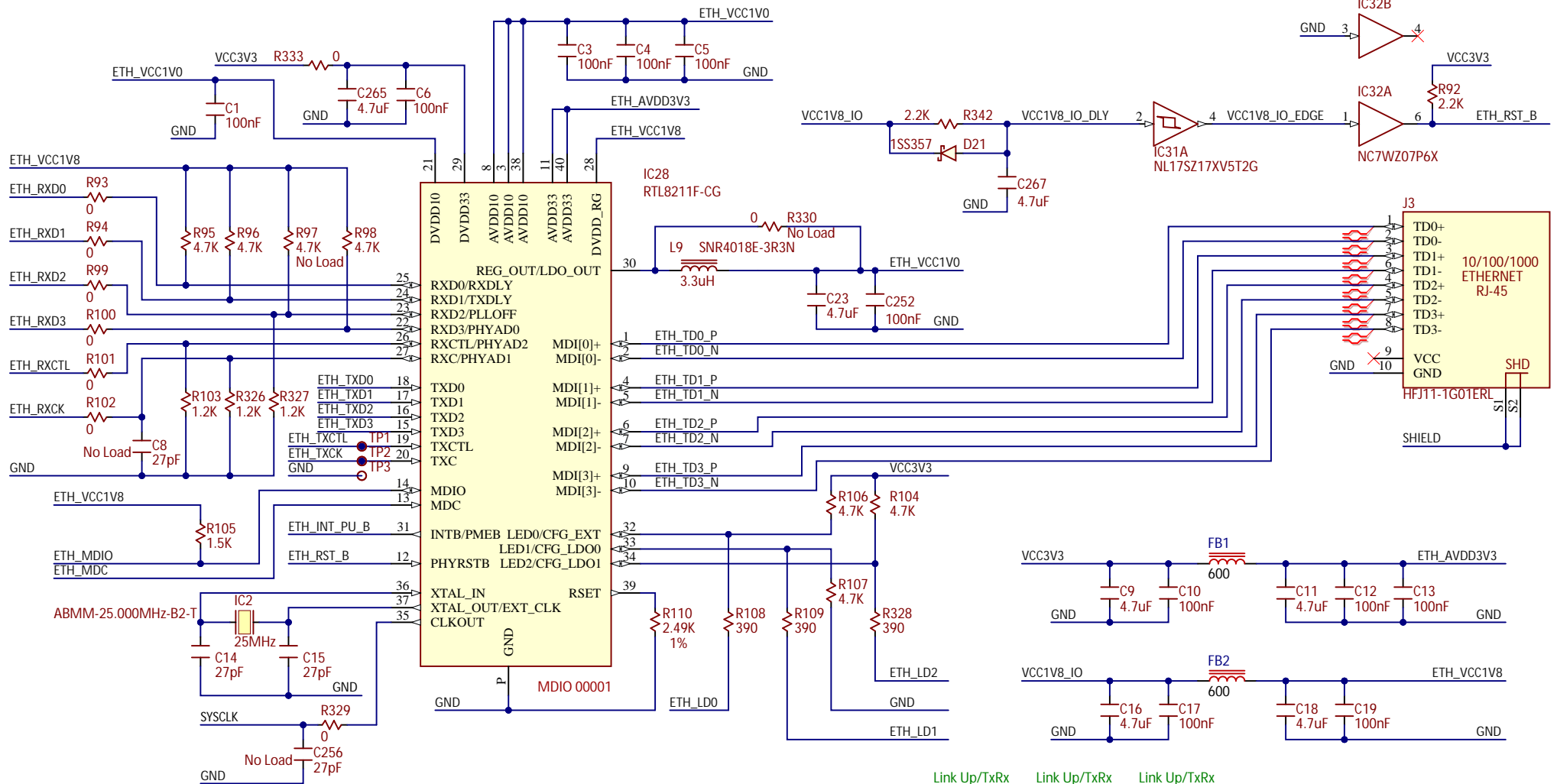
Available on Z20 version only



Title <b>ZYBO Z7</b>		Rev <b>D.1</b>
Circuit MIPI, General I/O		
Doc# 500-351		
Engineer EG, IC		
Author GMA		
Date 02/24/2022		
Sheet# 2 out of 14		



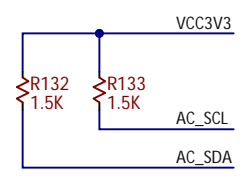
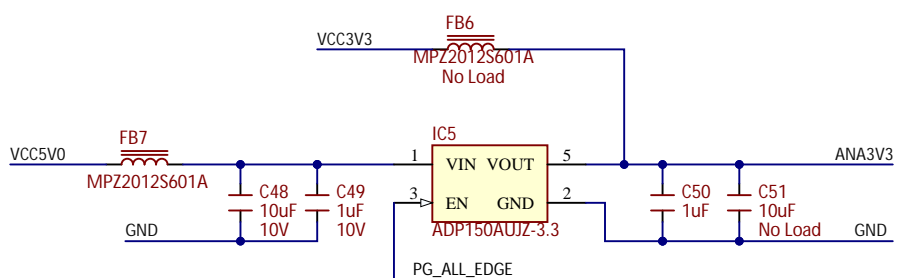
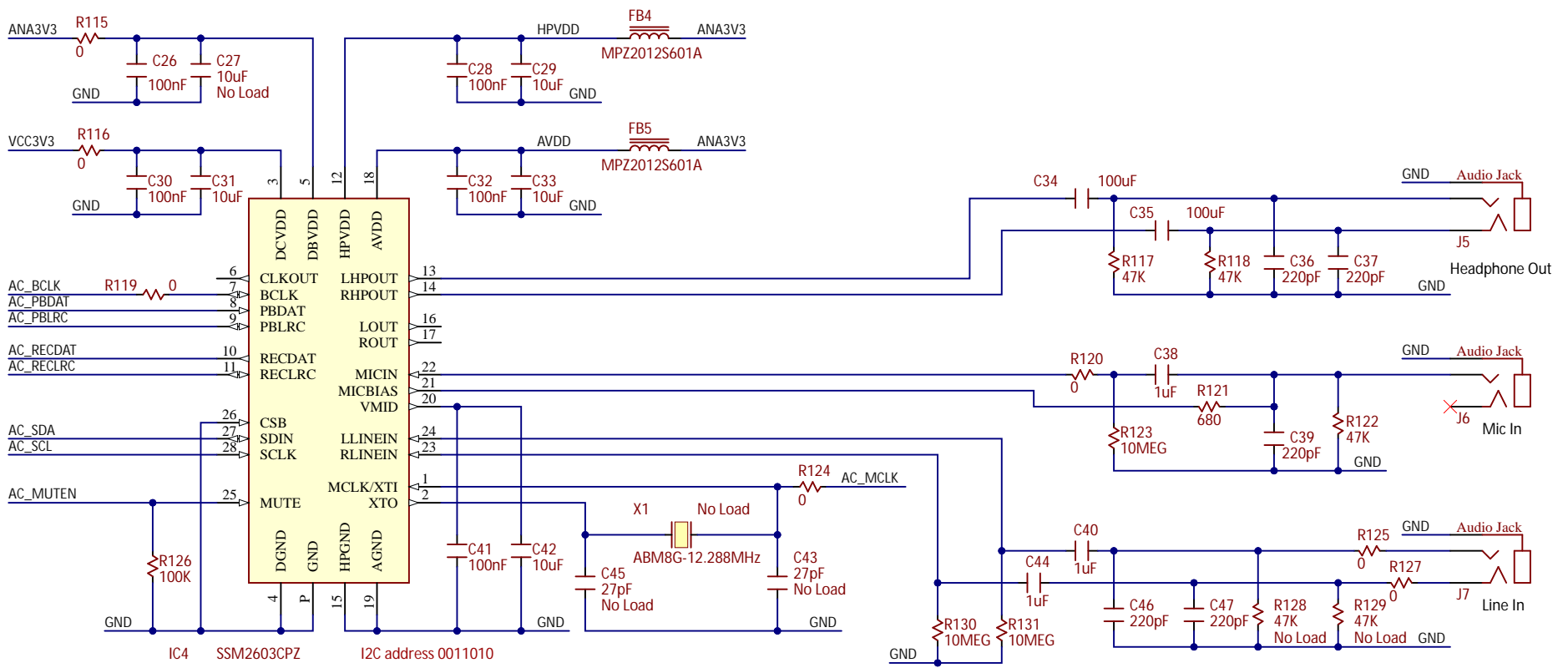
Copyright 2022



Title		Rev	
<b>ZYBO Z7</b>		<b>D.1</b>	
Circuit			
Ethernet and SD Card			
Doc# 500-351			
Engineer EG_IC			
Author GMA			
Date 02/24/2022			
Sheet# 3 out of 14			



Copyright 2022



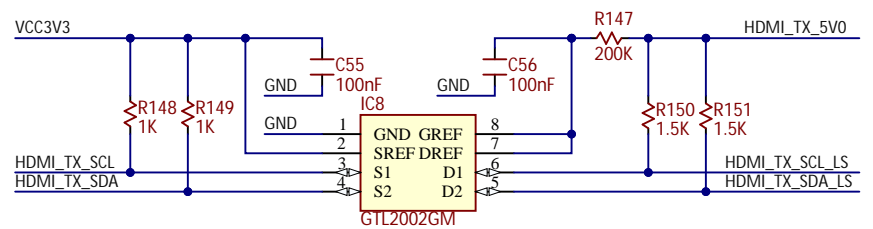
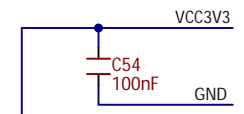
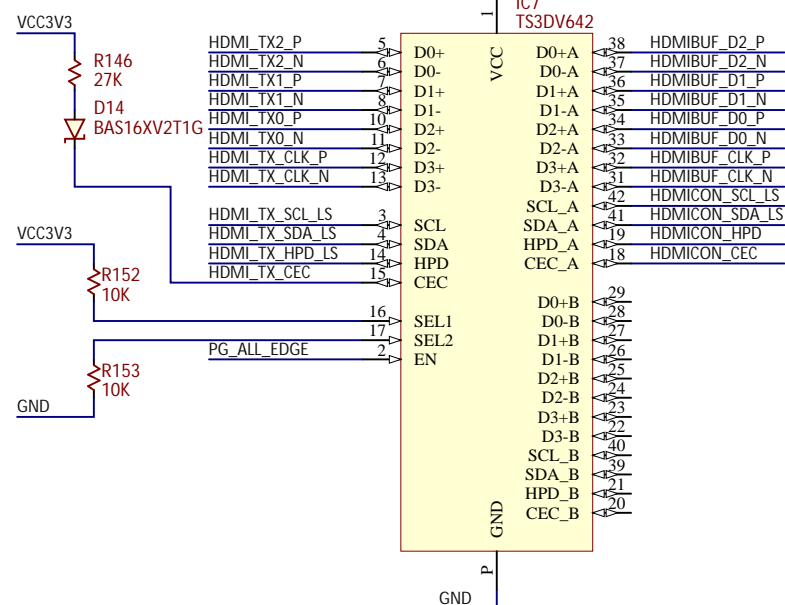
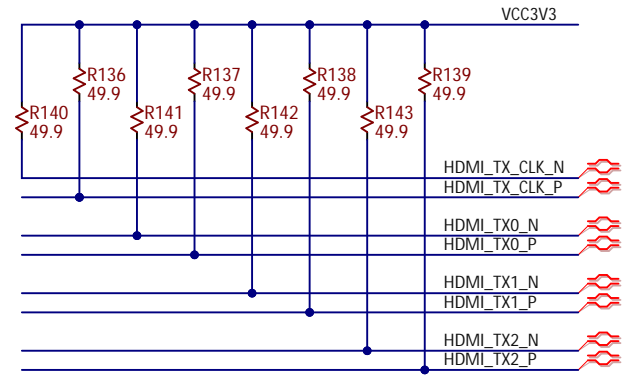
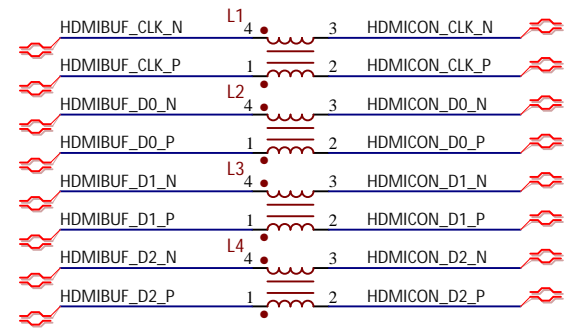
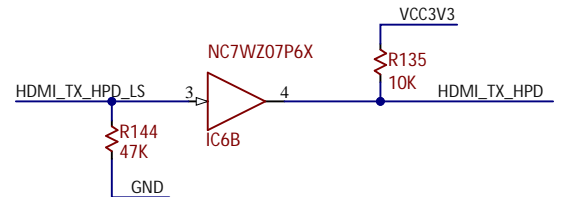
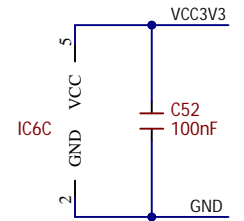
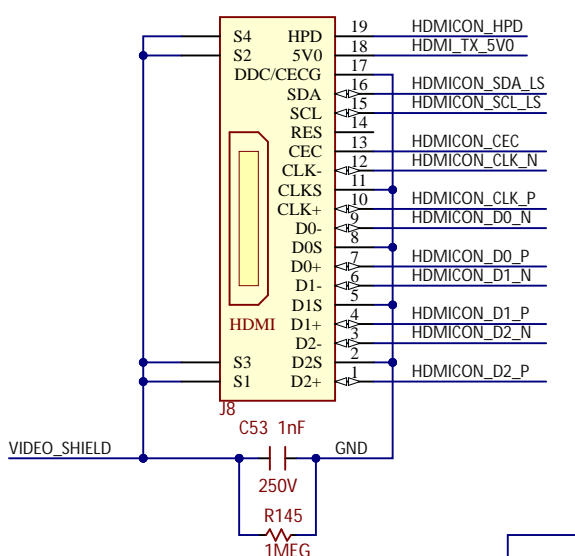
Title		Rev
<b>ZYBO Z7</b>		<b>D.1</b>
Circuit		
Audio Codec		
Doc#	500-351	
Engineer	EG, IC	
Author	GMA	
Date	02/24/2022	
Sheet#	4 out of 14	



Copyright 2022

VCC5V0 R134 HDMI\_TX\_5V0  
PTS120630V012

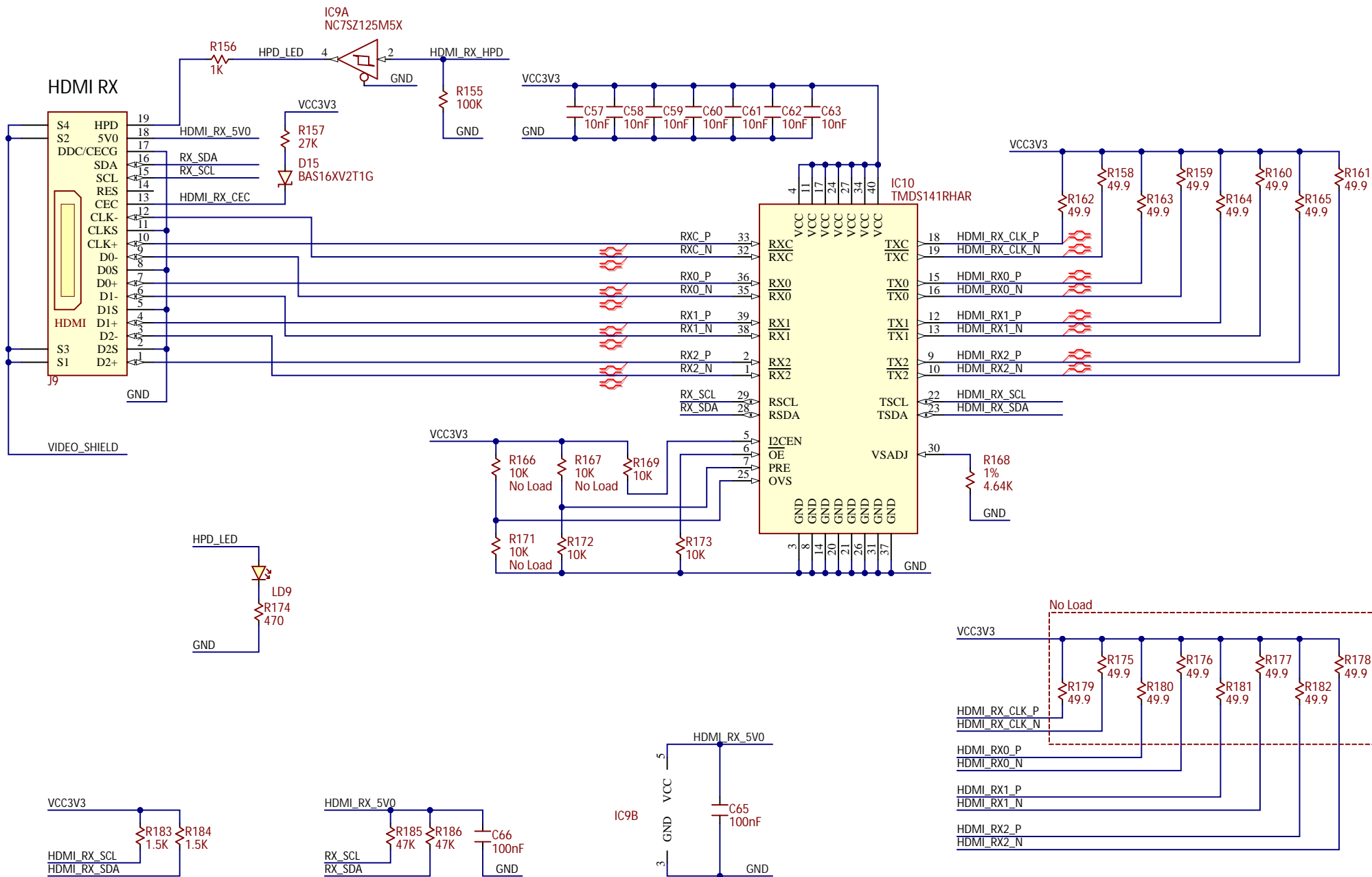
HDMI TX



Title <b>ZYBO Z7</b>		Rev <b>D.1</b>
Circuit HDMI Source		
Doc# 500-351		
Engineer EG, IC		
Author GMA		
Date 02/24/2022		
Sheet# 5 out of 14		



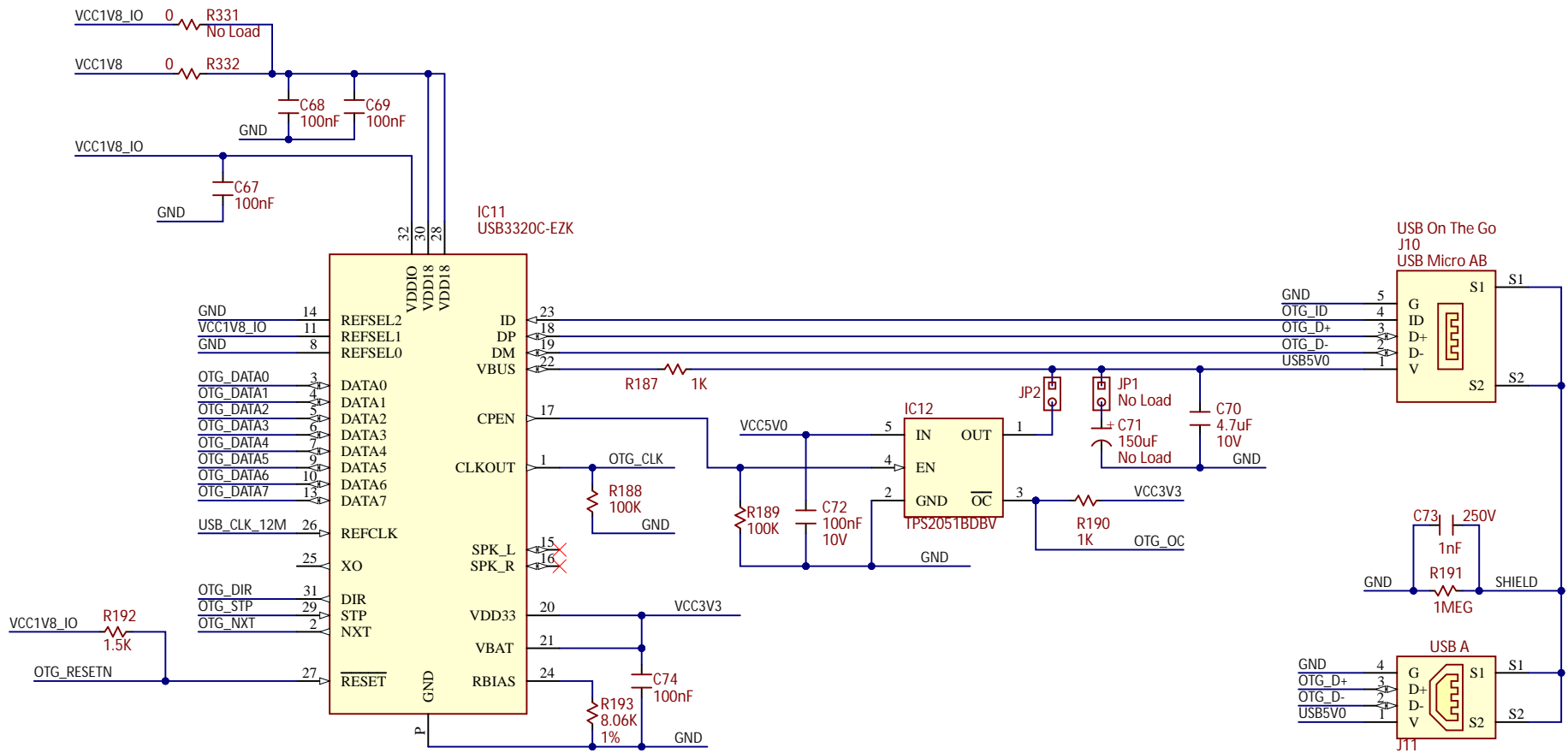
Copyright 2022



Title		Rev	
ZYBO Z7		D.1	
Circuit			
HDMI Sink			
Doc# 500-351			
Engineer EG, IC			
Author GMA			
Date 02/24/2022			
Sheet# 6 out of 14			



Copyright 2022



Title		Rev
ZYBO Z7		D.1
Circuit	USB OTG	
Doc#	500-351	
Engineer	EG, IC	
Author	GMA	
Date	02/24/2022	
Sheet#	7 out of 14	



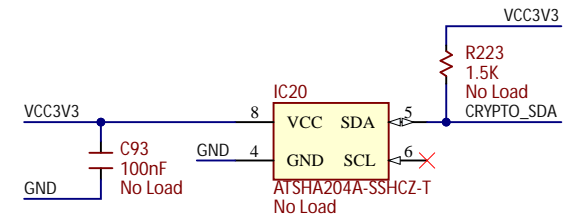
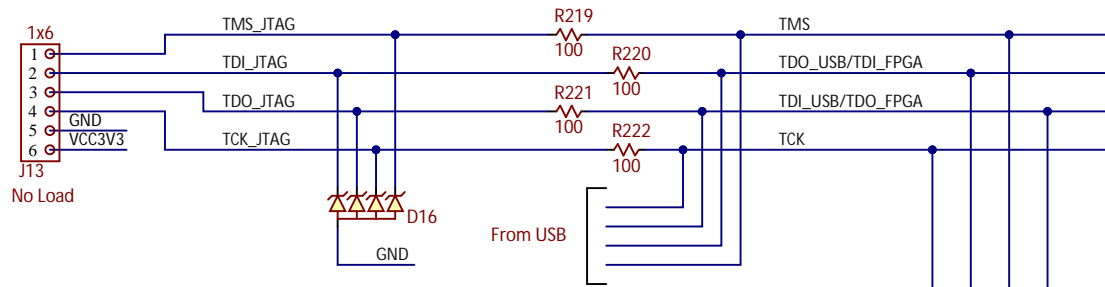
Copyright 2022

This Page Intentionally Left Blank

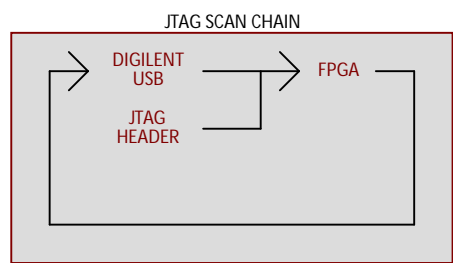
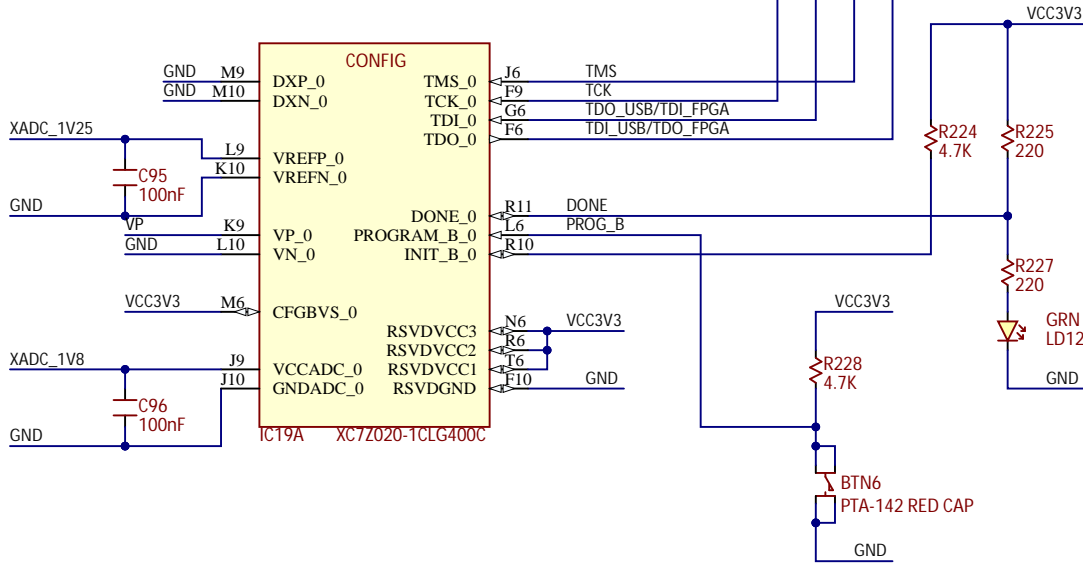
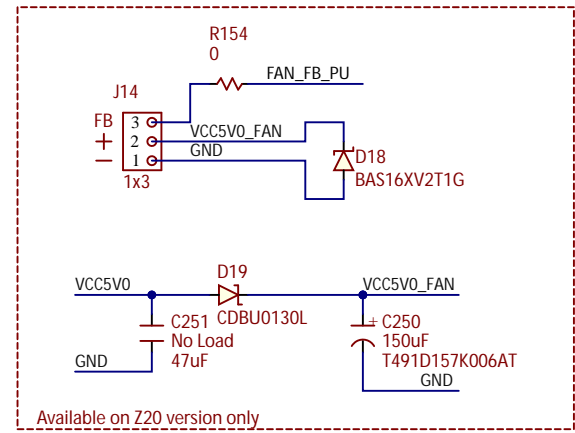
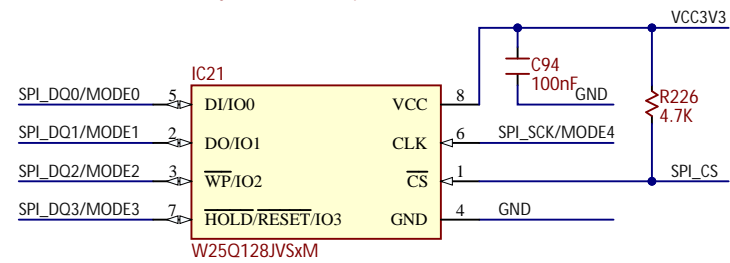
Title <b>ZYBO Z7</b>		Rev <b>D.1</b>
Circuit USB PROG, UART		
Doc# 500-351		
Engineer EG, IC		
Author GMA		
Date 02/24/2022		
Sheet# 8 out of 14		







IC21: W25Q128JVSxM (SOIC8) and W25Q128JVPxM (WS0N8, 6x5mm) part numbers can be used alternatively, as the PCB footprint works for both.



Title		Rev	
ZYBO Z7		D.1	
Circuit	FPGA Configuration, Flash		
Doc#	500-351		
Engineer	EG, IC		
Author	GMA		
Date	02/24/2022		
Sheet#	9 out of 14		



Copyright 2022

A

A

B

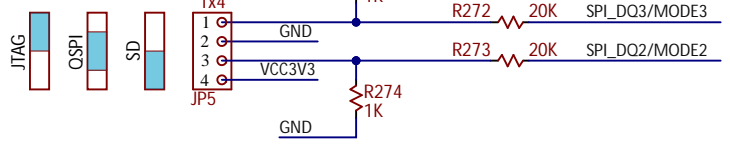
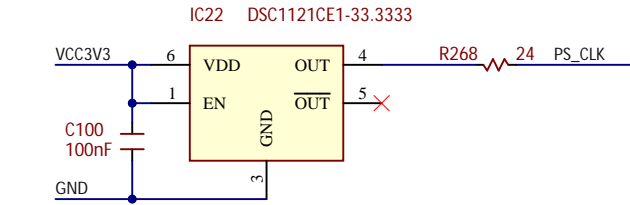
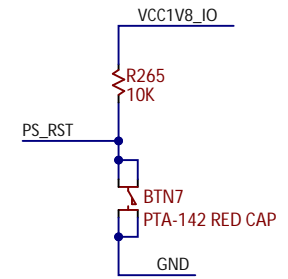
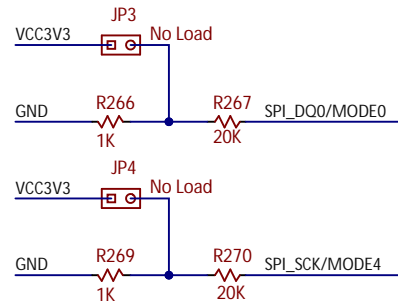
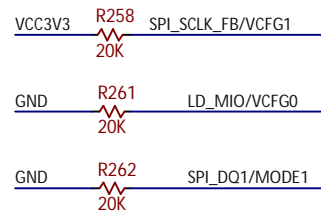
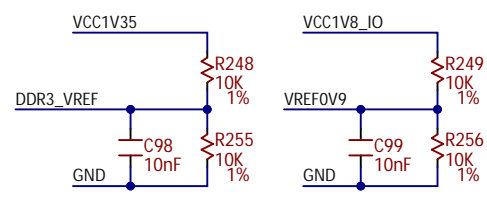
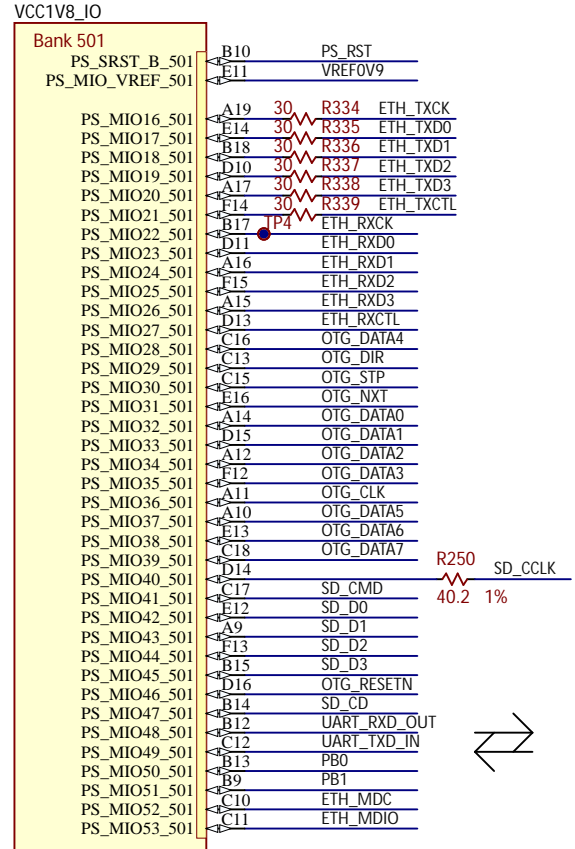
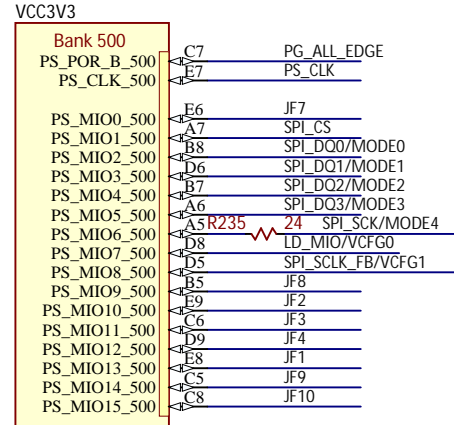
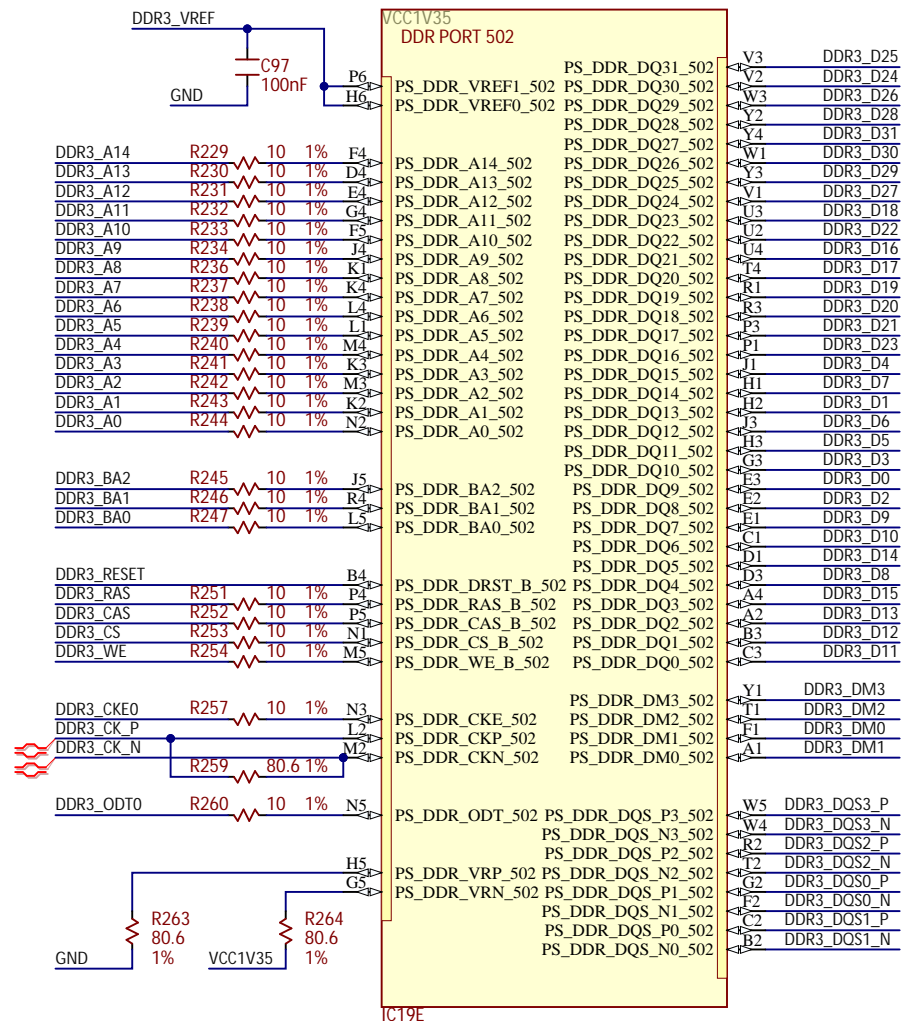
B

C

C

D

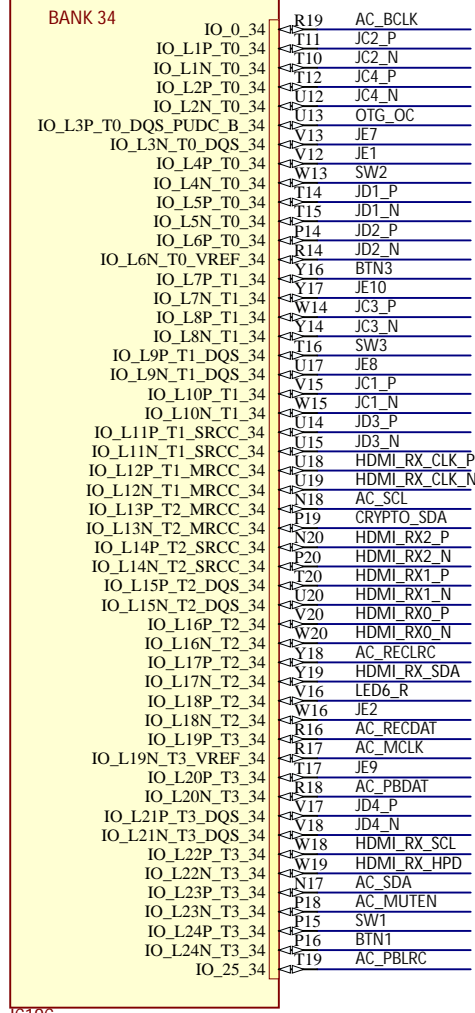
D



Title <b>ZYBO Z7</b>		Rev <b>D.1</b>
Circuit DDR and MIO Banks		
Doc# 500-351		
Engineer EG, IC		
Author GMA		
Date 02/24/2022		
Sheet# 10 out of 14		

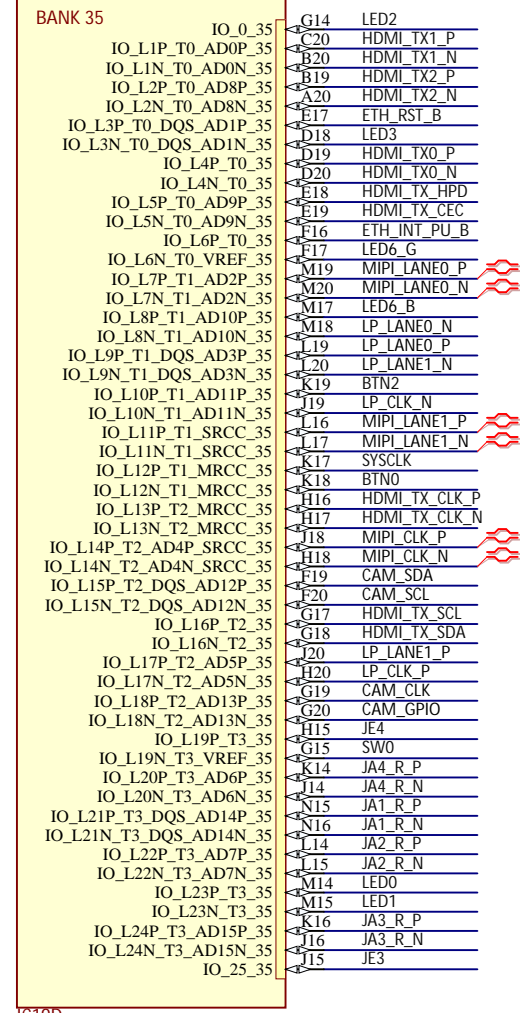
Copyright 2022

VCC3V3



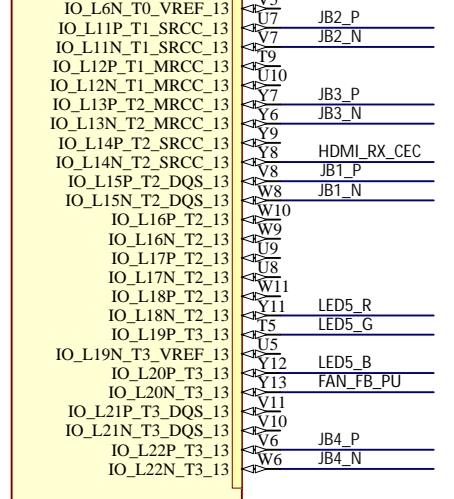
IC19C

VCC3V3



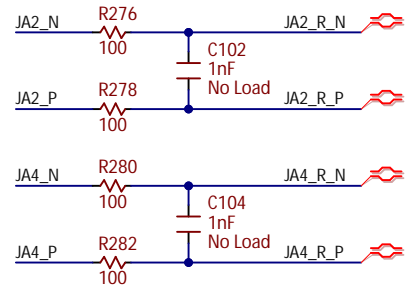
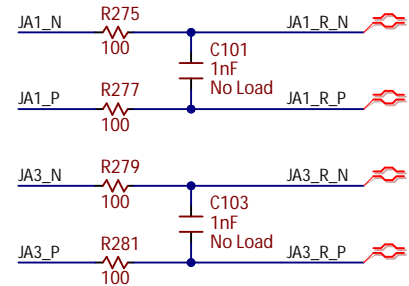
IC19D

**BANK 13**



IC19B

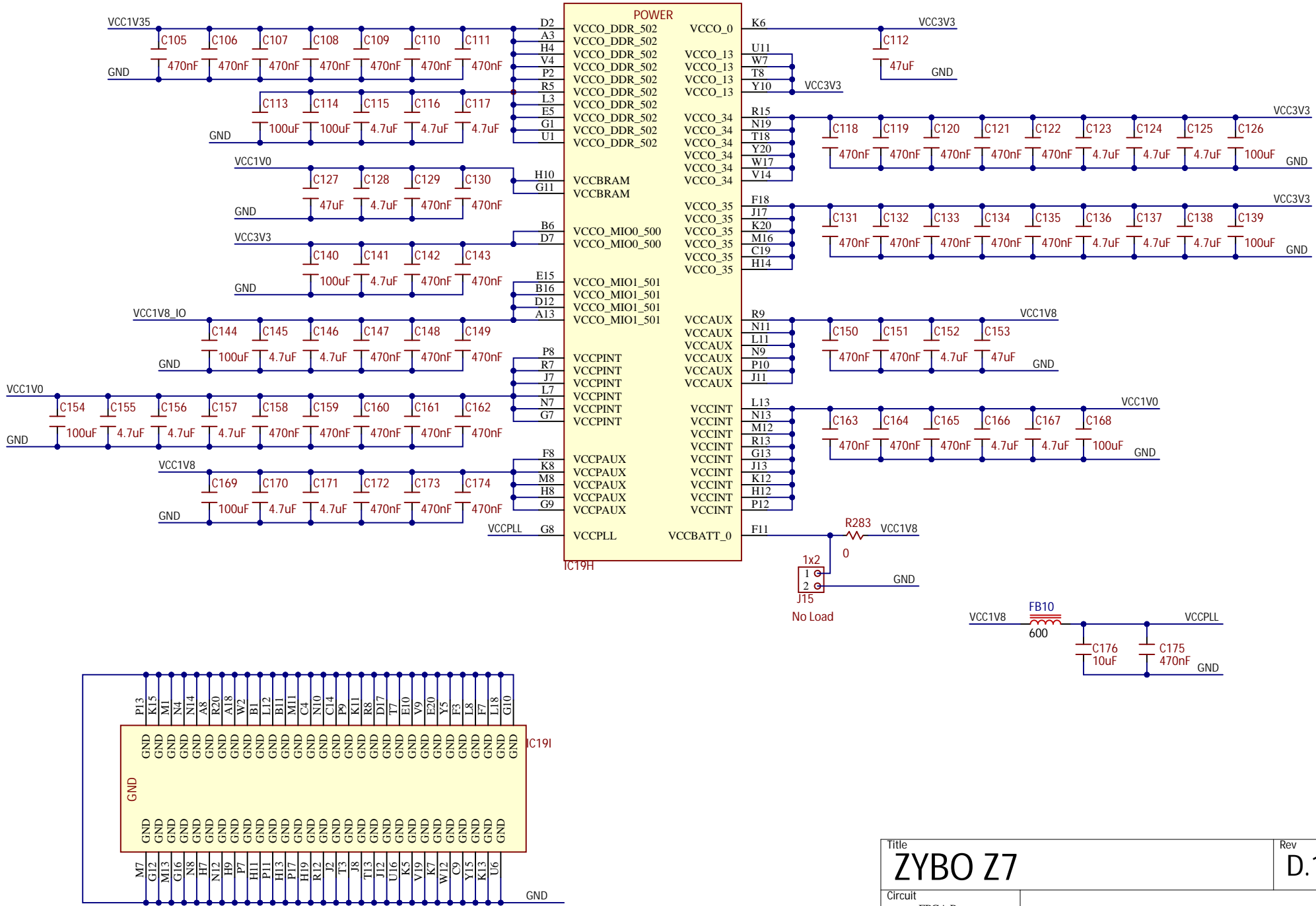
Available on Z20 version only



Title <b>ZYBO Z7</b>		Rev <b>D.1</b>
Circuit FPGA Banks, and Filters		
Doc# 500-351		
Engineer EG, IC		
Author GMA		
Date 02/24/2022		
Sheet# 11 out of 14		



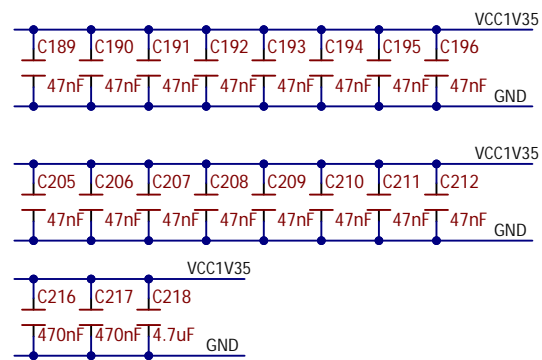
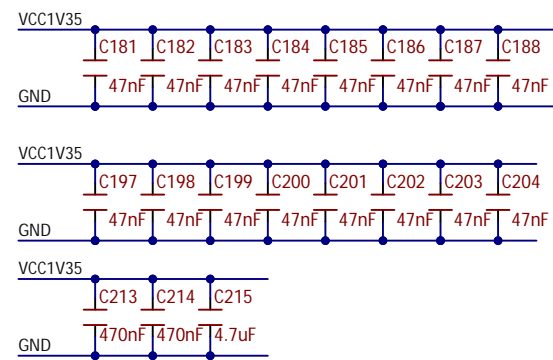
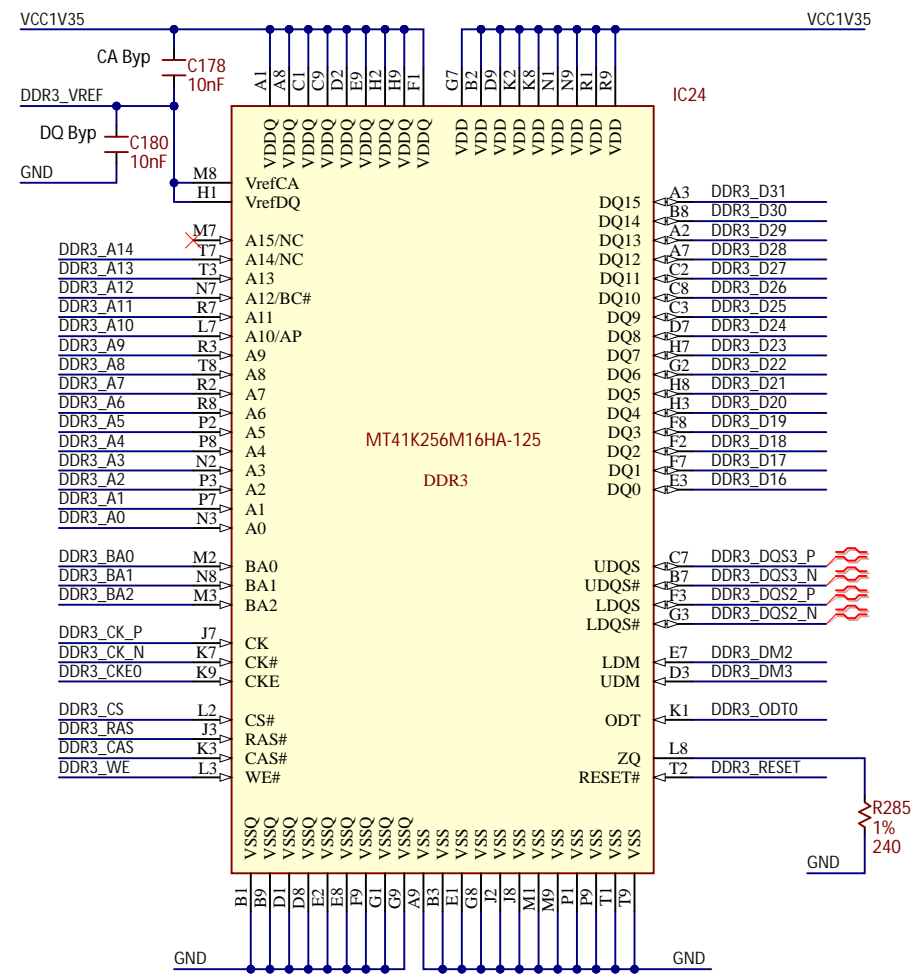
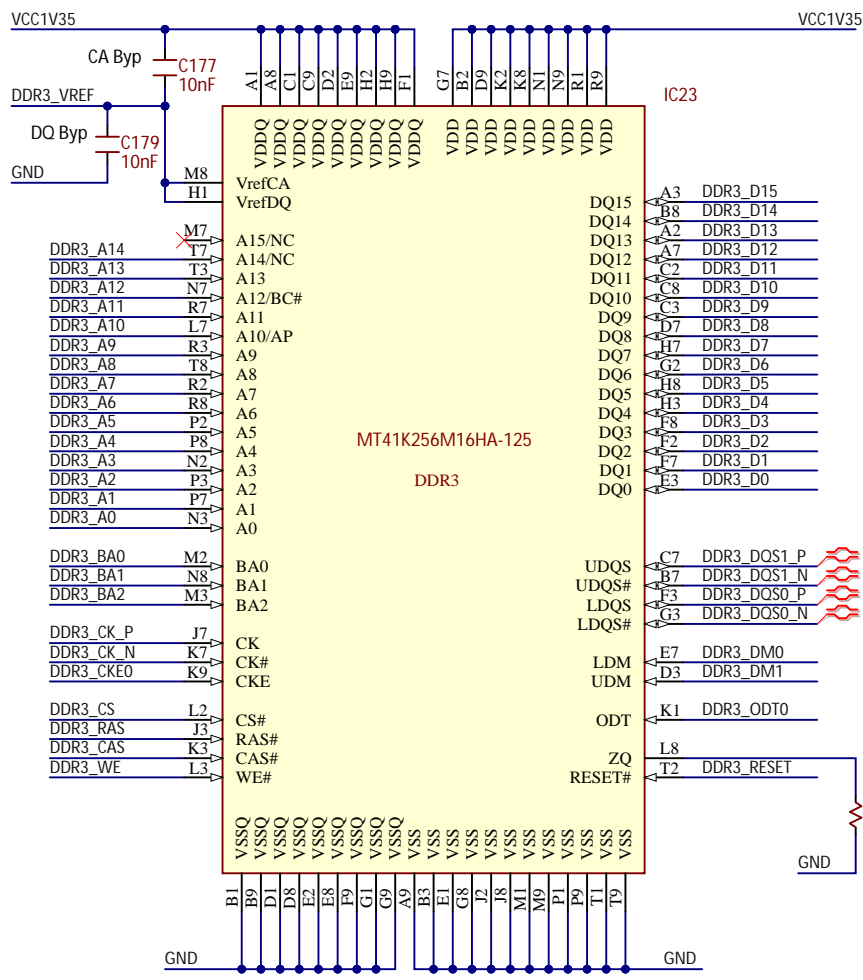
Copyright 2022



Title		Rev	
ZYBO Z7		D.1	
Circuit			
FPGA Power			
Doc# 500-351			
Engineer EG, IC			
Author GMA			
Date 02/24/2022			
Sheet# 12 out of 14			



Copyright 2022



Title <b>ZYBO Z7</b>		Rev <b>D.1</b>
Circuit DDR3 Memory		
Doc# 500-351		
Engineer EG, IC		
Author GMA		
Date 02/24/2022		
Sheet# 13 out of 14		



Copyright 2022

A

B

C

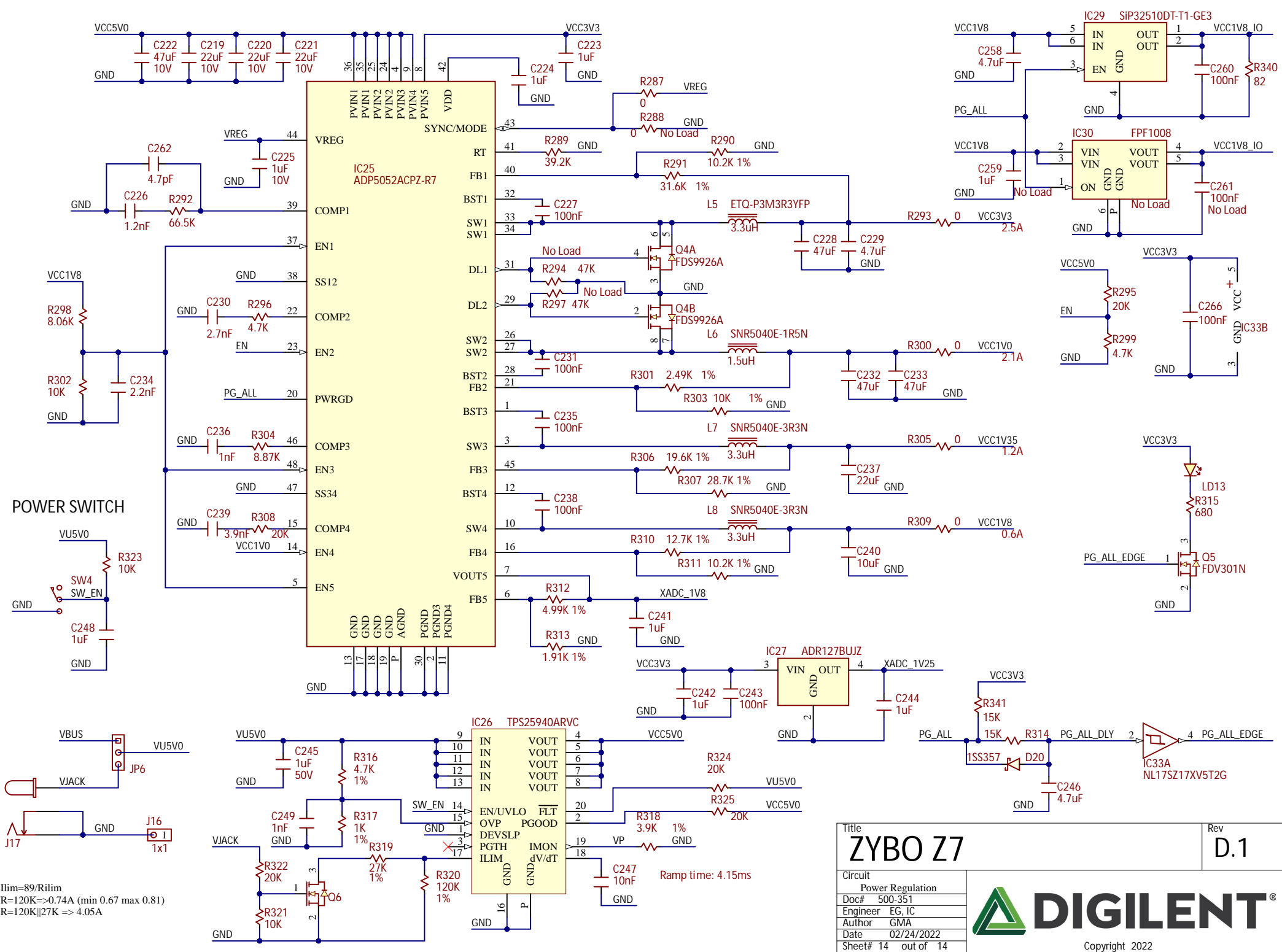
D

A

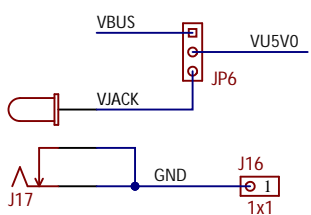
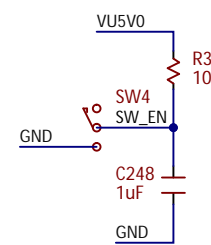
B

C

D



**POWER SWITCH**



Ilim=89/Rilim  
 R=120K=>0.74A (min 0.67 max 0.81)  
 R=120K||27K => 4.05A

Title		Rev	
<b>ZYBO Z7</b>		<b>D.1</b>	
Circuit			
Power Regulation			
Doc# 500-351			
Engineer EG, IC			
Author GMA			
Date 02/24/2022			
Sheet# 14 out of 14			

Copyright 2022