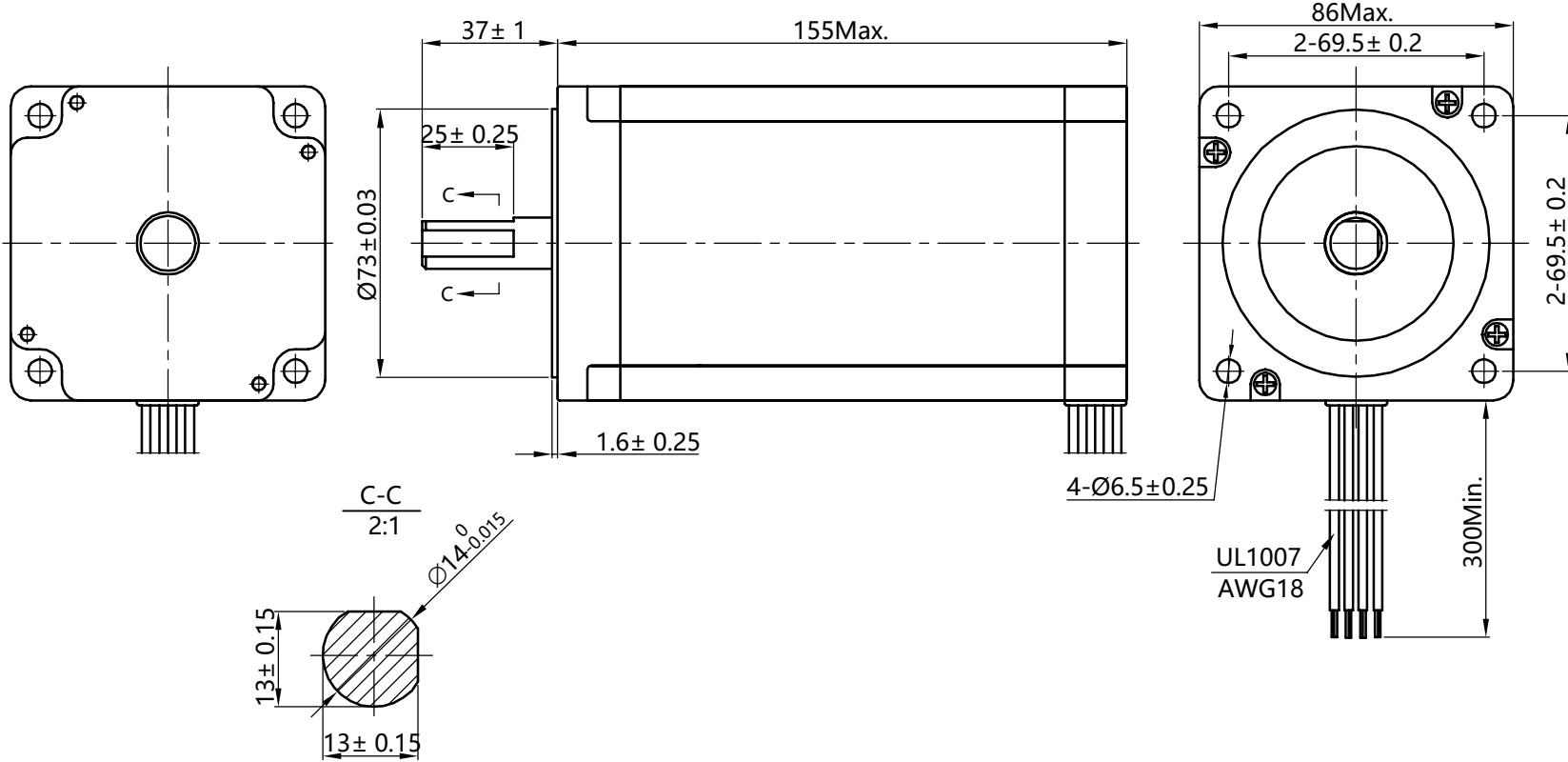
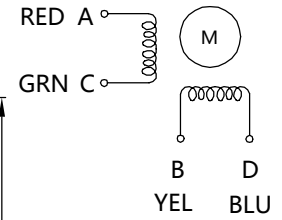


# HYBRID STEPPING MOTOR SPECIFICATION

DIMENSIONS unit=mm



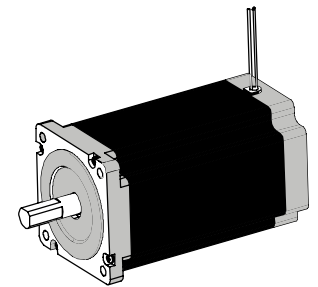
Wiring Diagram



Exciting Sequence vs. Direction of Rotation

STEP	A	B	C	D	
1	+	+	-	-	CW
2	-	+	+	-	
3	-	-	+	+	
4	+	-	-	+	CW

Clockwise view from mounting side



1、 Number of Phase	2				
2、 Step Angle	1.8° deg.				
3、 Rated Voltage	4.08 V				
4、 Rated Current/Phase	6 A ( Peak Value)				
5、 Phase Resistance	0.68 $\Omega \pm 0.1(20^\circ\text{C})$	REV.	REVISION RECORD	DATE	
6、 Phase Inductance	9 mH $\pm 20\%(1\text{kHz } 1\text{V RMS})$	DESIGN			常州精控电机电器有限公司
7、 Holding Torque	13 N.m	STANDARD			www.jkongmotor.com
8、 Insulation Class	B (130° ) ; 80K Max.	TECHNOLOGY			Specification
9、 Weight	5.6 kg	CHECK			
		APPROVE			
<b>Specifications</b>		<b>Comment</b>			

TITLE	STEPPING MOTOR				
DWG.NO.	JK86HS155-6004				
MATERIAL	ECN SIGN	✳	SIZE	A4	
REV.	A	SCALE	1:2	SHEET	1 of 1