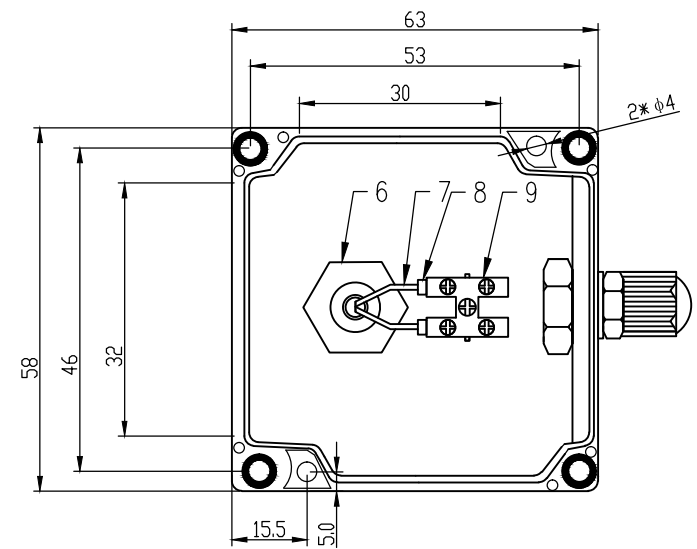
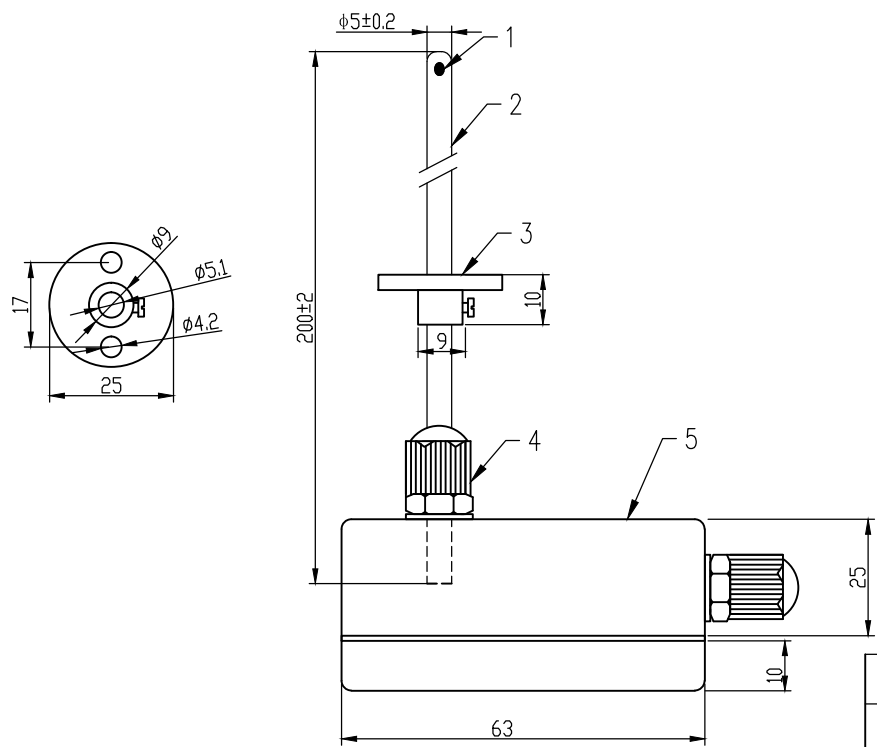


Mark	Num.	Modify files	Signature	Date



RTD ELEMENT:
 -RESISTANCE:1000 Ω@0℃
 -ACCURACY:±0.3℃
 -TCR:3,850ppm/℃
 -ACCURACY CLASS "B"

Item	Symbol	Test Condition	Performance	Unit
Rated resistance		PT1000 B Class		
Time constant	τ	in still air	≤60	Sec
Dissipation factor	δ	in still air	Approx. 6	mW/℃
Voltage withstanding	U	AC500V,1mA	No destroy or spark	V
Insulation resistance	Ri	DC500V	≥ 100	Mohm
Max.power	P _{max}	Ambient Temp.+25℃	60	mW
Max.temp.on tip	Toper	-	+105	℃

9	Butt terminal	1	PCS	2-bit docking terminal	White	
8	Terminal	2	PCS	E0508	Grey	
7	Wire	1	PCS	PVC Round Jacket 24AWG 11/0.16TS 2C OD4.0	Black	
6	Waterproof gasket	2	PCS	M12		
5	Waterproof Box	1	PCS	F20-63*58*12 M12	Grey	
4	Waterproof joint	2	PCS	M12*1.5 IP67	White	
3	Flange	1	PCS	φ25 Steel No. 45 M3 positioning thread holes		
2	Housing	1	PCS	SUS304 φ5*200*0.3		
1	Component	1	PCS	PT1000 B Class		
No.	PN.	Name	Qty	Unit	Material	Remark

		VERSION	A0	WEIGHT	
		MATERIAL		UNIT	mm
SCALE		Temperature Sensor			
2:1		MZP-PT1000BPR05200Flange-Box			
TOLERANCE		CUSTOMER NO	DRAWN NO	2302222-J-KZ1	SIZE
0~10 ±0.1		PAGE		1	OF 1
10~100 ±0.2		A3			
100~300 ±0.3					
120~400 ±0.5					