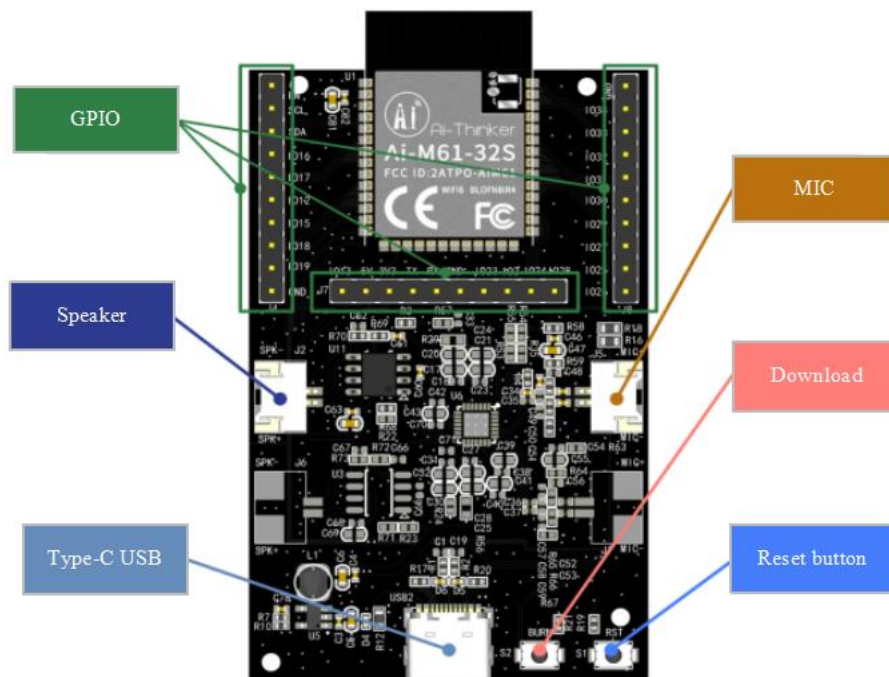


AiPi-Voice Development Board Test Firmware Use Tutorial

AiPi-Voice is a development board designed by Ai-Thinker open source team for Ai-M61-32S, which supports WiFi6 and BLE 5.3. The Ai-M61-32S module has rich peripheral interfaces, including DVP, MJPEG, Display, AudioCodec, USB2.0, SDU, Ethernet (EMAC), SD / MMC (SDH), SPI, UART, I2C, I2S, PWM, GPDAC, GPADC, ACOMP and GPIO. The AiPi-Voice enables voice output processing through a built-in voice chip, which can be recorded and played through an audio codec. The external display screen can make the control play the sound.



1. Firmware burning

1.1 Serial port wiring

| TTL TOOL | AiPi |
|----------|------|
| 3.3V | 3.3V |
| TXD | RX |
| RXD | TX |
| GND | GND |

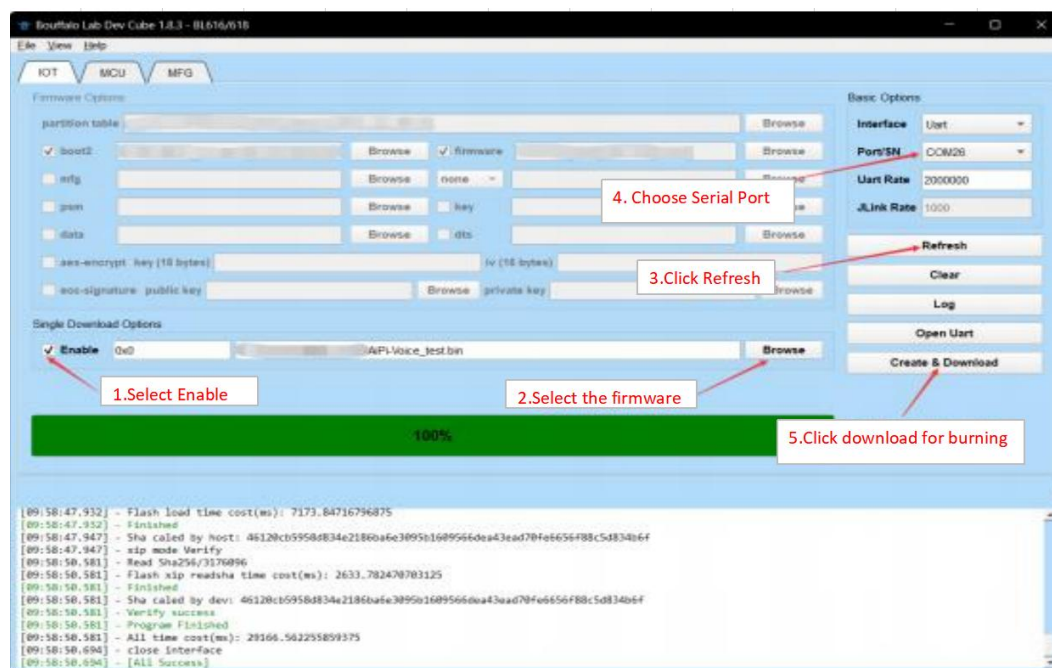
2. Burning

Download burning tool: [click to download](#)

Firmware address: [click to download](#)

After the burning tool begins burning, **first keep press the "download button" and then press the "reset button" and to release**, then you can enter the burning mode.

The operation steps are performed as below,



Note: After the firmware is burned, you need to press the reset button for one time, then the program can be run.

3. Use steps

After burning, click **BURN** button to play "turn on switch", and press again to play "turn off switch".

