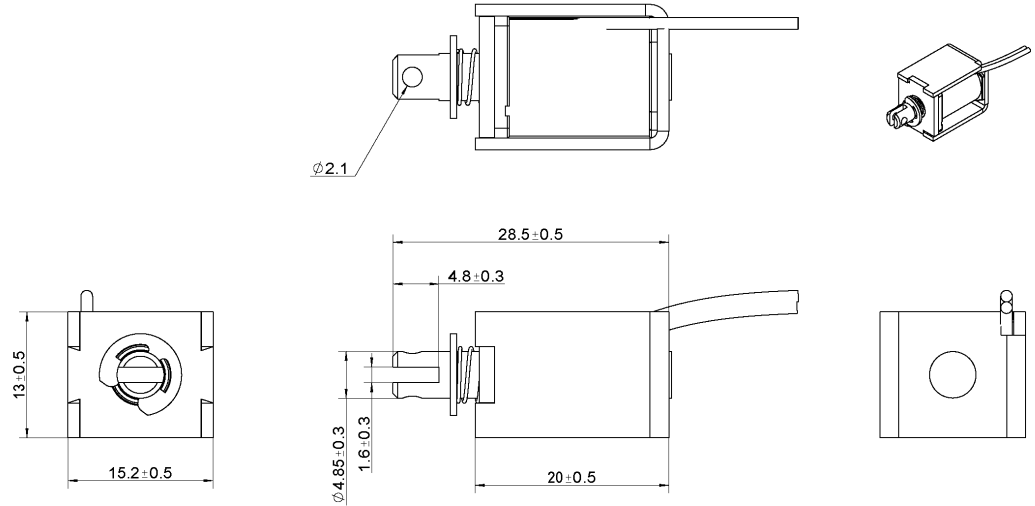
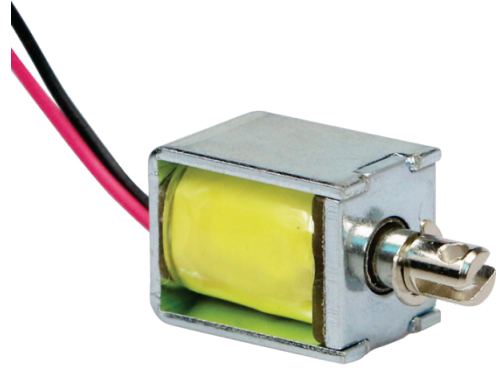


Solenoid

AJK-T0502



Product Specification

Rated Voltage	Rated Current	Resistance	Max. Stroke	Hold Force	Load
DC 6.0 V	1.11 A	5.4Ω±10%	3 mm	3.5 N	Bistable
DC 12.0 V	800 mA	15Ω±10%	3 mm	3.5 N	Bistable



爱家康

流体全面解决方案提供商

XIAMEN AJK TECHNOLOGY CO., LTD.

+86-0592-2610721 +86-0592-2610791 <http://www.xmajk.com>