

Product Manual

Kamoer Fluid Tech (Shanghai) Co.,Ltd.

Version: A /1

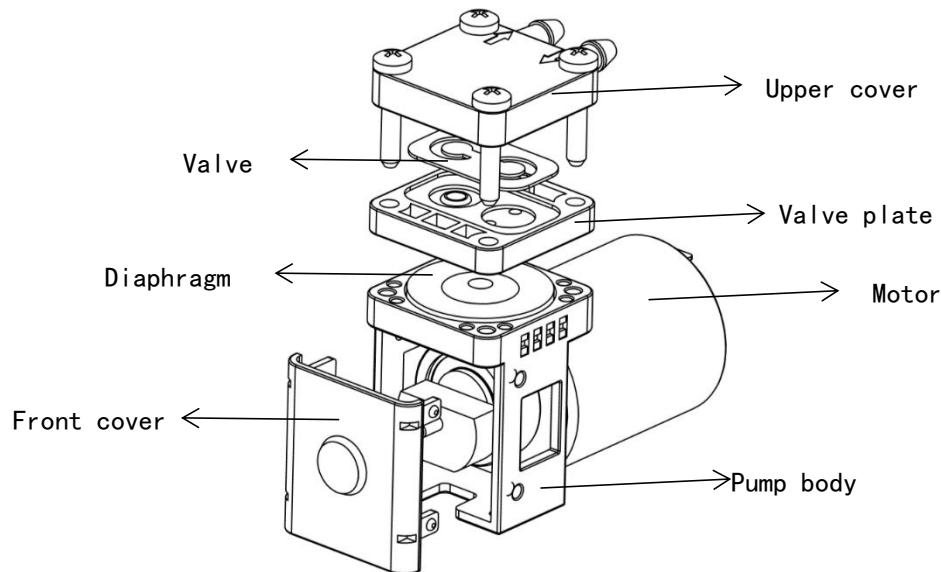
Product name	Micro diaphragm pump
Model	KLVP08
Release Date	2022.08.17
Manufacturer	Kamoer Fluid Tech (Shanghai) Co.,Ltd.

A. Product Overview

1. Product images



2. Product assembly drawing



3. Model definition

KLVP08	S	D	12	null
Model	Pump head	Motor type	Voltage	Adapter board



3.1 Motor model



6V /12V /24V DC brushed motor

3.2 Pump head

S : single head pump

3.3 Motor type

D: brushed motor

3.4 Voltage

6: DC 6V ; 12 : DC 12V ; 24: DC 24V

3.5 Adapter board

L has an adapter plate; "empty" has no adapter plate

4. Performance characteristics, typical applications

4.1 Performance characteristics

- Diaphragm material is EPDM, which has good resistance to chemicals such as alcohol, acid, alkali, oxidant, ketone and fat, and has strong chemical stability and poor oil resistance.
- Small size, powerful
- High-quality engineering plastics, stable and reliable
- Simple design, beautiful and generous
- Dry-running, durable and maintenance-free

4.2 Typical applications

- Industrial automation: suction cup equipment
- Medical equipment: constant pressure adsorption equipment
- Inkjet printer: air source output for nozzle protection
- Environmental engineering: gas sampling
- Special instruments and equipment: portable gas analyzers

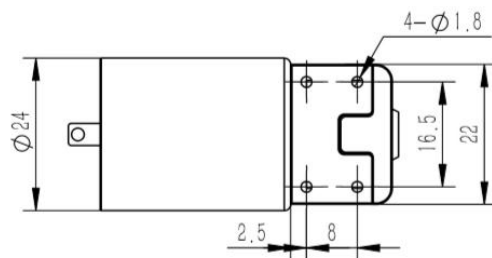


4.3 Known Risk Notification

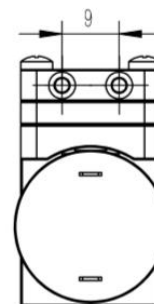
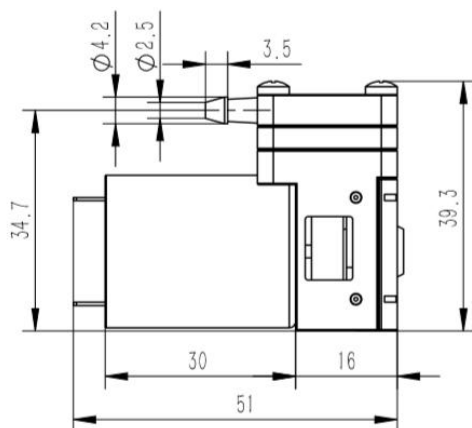
- The working environment of the product should not exceed 45° C, and the humidity should not exceed 70% (no condensation). The harsh working environment will cause premature damage to the product
- High overloading may result in premature failure of the product
- The medium will be in contact with the pump head and the rubber, so it is necessary to check the chemical compatibility or conduct an immersion test when selecting the model
- Frequent start and stop, overpressure or underpressure and other unreasonable working conditions will lead to premature damage of the pump
- Dust, oil and other pollutants in the medium will contaminate the pump parts, which will lead to premature damage of the pump

B. Product Specification

1. Product Dimension



Mounting screw: ST2.6
Connection pipe: 3x5



2. Technical Parameters

Project		Technical Parameters
Basic parameters	Motor type	DC brushed motor
	Rated voltage	DC 6V / DC 12V / DC 24V
	Flow	0.8L / min
	Negative pressure	0.05 MPa
	Positive pressure	0.10 MPa
	Power	3W
	noise	≤65dB
	Control method	Switch control
	Weight	about 55g
	Product life	200h

Note: The flow error is 0.05~0.2 L/min.

- The test value of the TSI electronic flowmeter under standard atmospheric pressure, room temperature 25° C, and no pressure at the inlet and outlet.

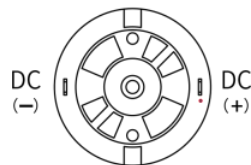
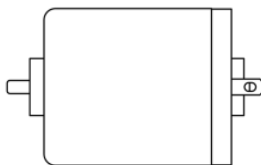
- The noise is tested in a quiet room at a distance of 500mm from the product.

- The life data is the test result under the general environment, and the harsh working conditions will reduce the product life.

- The flow curve test environment (under standard atmospheric pressure, room temperature 25° C) is for reference only due to differences in actual use.

- For other undisclosed information, please consult customer service.

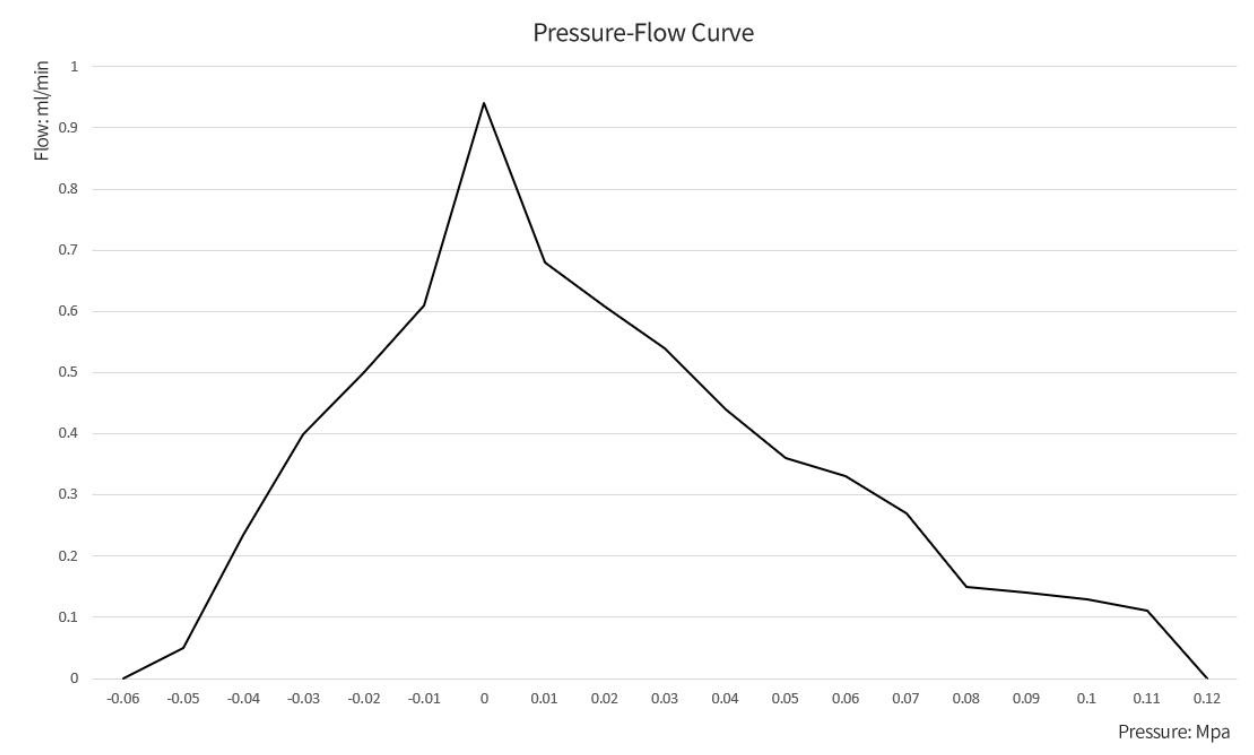
3. Motor control







Note: According to the motor wiring diagram, the positive pole of the power supply is connected to the positive pole, and the negative pole is connected to the negative pole.



4. Flow curve



C. Optional accessories

Name	Specifications		Function introduction
Connection PU tube	3mm×5mm		Suitable for gas transmission, economical
Connection silicone tube	3mm×5mm		Suitable for gas transmission, does not pollute the medium
Air filter	6 mm		Contaminants for dust in the filter media, prolonging service life
Vacuum pump silencer	/		Extend the life of the air pump, small size, no consumables

