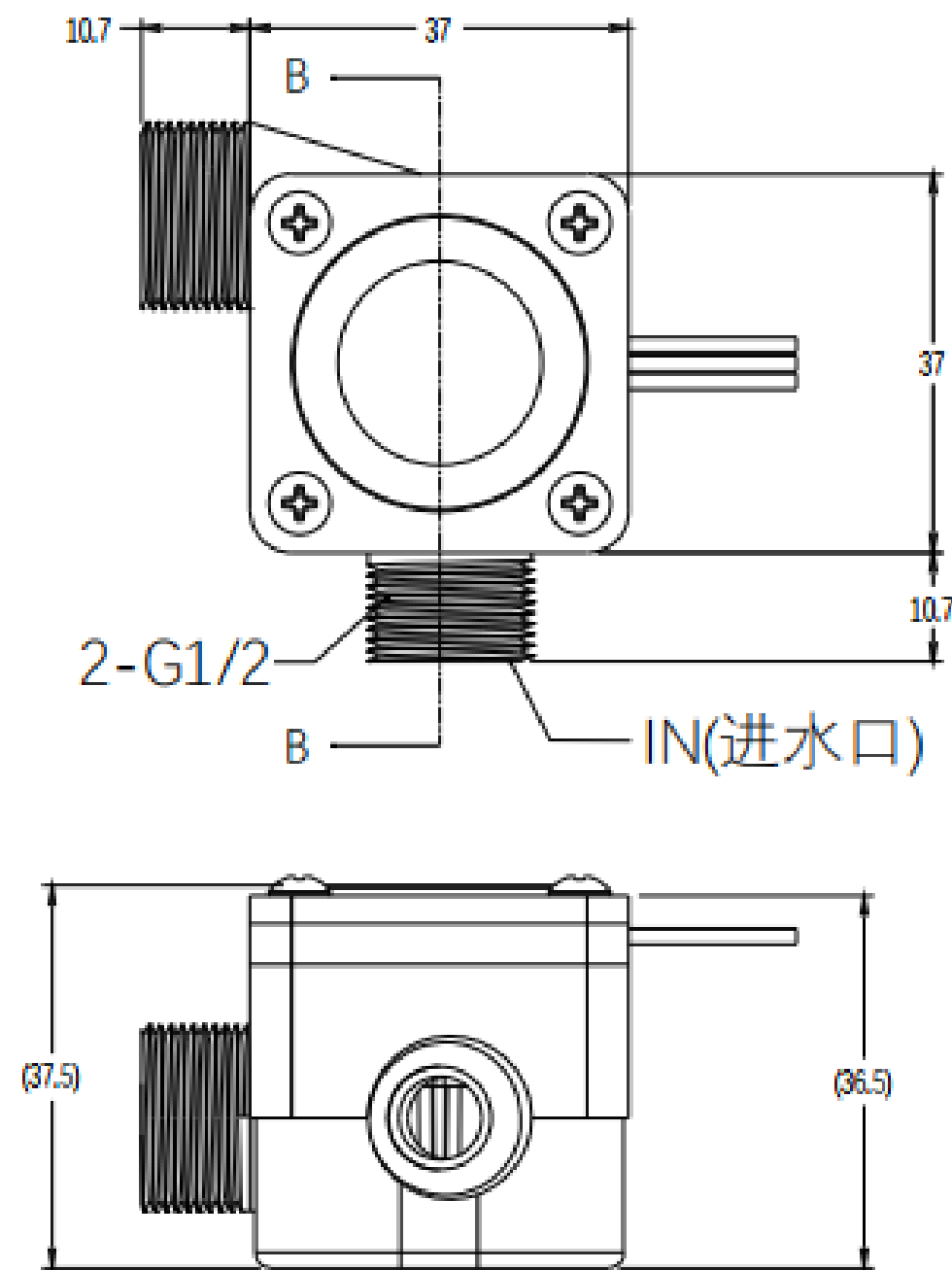


### I. Specification (mm)

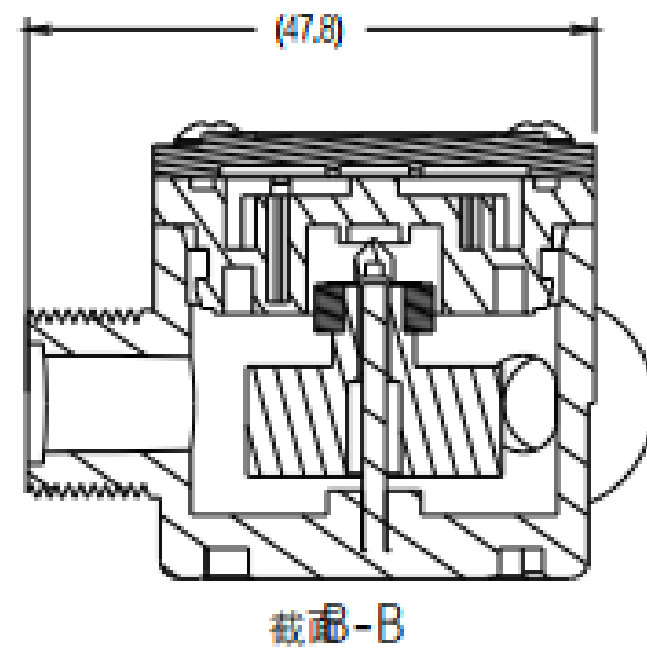


Model:SEN-HW21WA(10Q)

1.Pluse signal output

2. Material: Nylon+pp

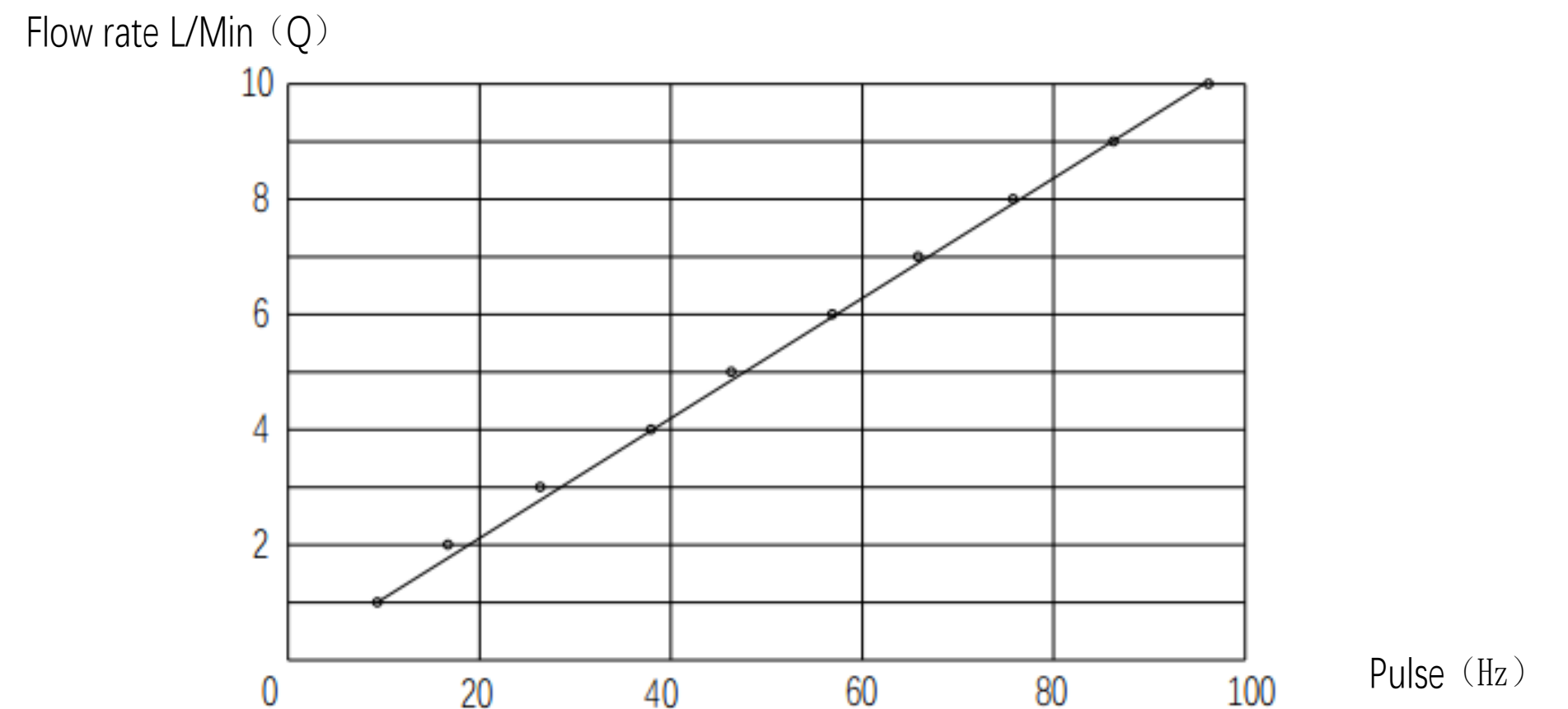
3.Installation: any direction



### III. Characteristic for flow range

1. Instant flow Pulse characteristics:  $F=10 \pm 10\%$  (Just for your reference)

Instantaneous Frequency (Hz) - Flow Rate (L/min) Curve Table



Flow characteristics laboratory measured parameters comparison table

L/min	1L	2L	3L	4L	5L	6L	7L	8L	9L	10L
Pulse(vertical)	9.26	16.67	26.32	37.88	46.30	56.82	65.79	75.76	86.21	96.15

### II. Technical parameters:

Temperature	water normal temp. $\leq 60^{\circ}\text{C}$ , high temp. $\leq 115^{\circ}\text{C}$		
Operating voltage range	3V: 1.8-5.5V	5V: 2.2-18V	24V: 4.5-26.4V
Rated voltage/current	DC3V, $\leq 10 \mu\text{A}$	DC5V, $\leq 10\text{mA}$	DC5V, $\leq 10\text{mA}$
Output voltage Duty cycle 50%	rated voltage $< \text{DC}5\text{V}$ , high level above: $V_{cc}-0.2\text{V}$ , low level below: $0.2\text{V}$ rated voltage $\geq \text{DC}5\text{V}$ , high level above: $V_{cc}-0.5\text{V}$ , low level below: $0.5\text{V}$		
Insulated resistor	$> 100 \text{ M}\Omega$		
Electrical strength	AC500V, 50Hz		
Flow range	1-30L/min		
Pressure performance	$\leq 1.75 \text{ Mpa}$		

### IV. Instruction:

- In order to avoid particles, debris into the sensor, the sensor inlet must be installed filter.
- Water flow sensor installed in the equipment inside or indoors, do not expose for a long time outdoors or high humidity. Under harsh environment such as temperature, to avoid strong vibration and shake the environment, to avoid affecting the sensor measurement Measuring accuracy.
- When a magnetic material or a material which generates magnetic is close to the sensor, the characteristic may change.
- Do not open the flow sensor to prevent damage, where unauthorized dismantling of the flow sensor are not in the scope of the warranty.
- Not used the structure of the sensor for direct replacement may have discomfort, please prompt;
- Customer service Tel: 0757-22905969 ; Fax no.0757-22905969.

<https://www.chnsensor.com> ; E-mail: sales4@chnsensor.com

Remark: Applied to water dispenser, water control machine, coffee machine, water purifier, instrument and meter etc.