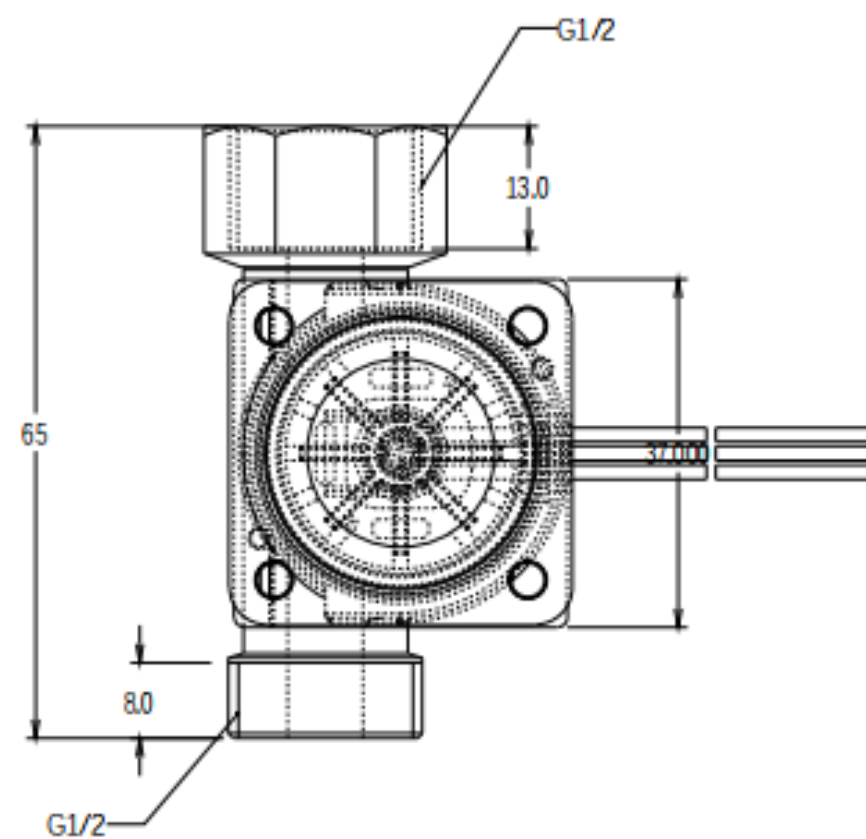
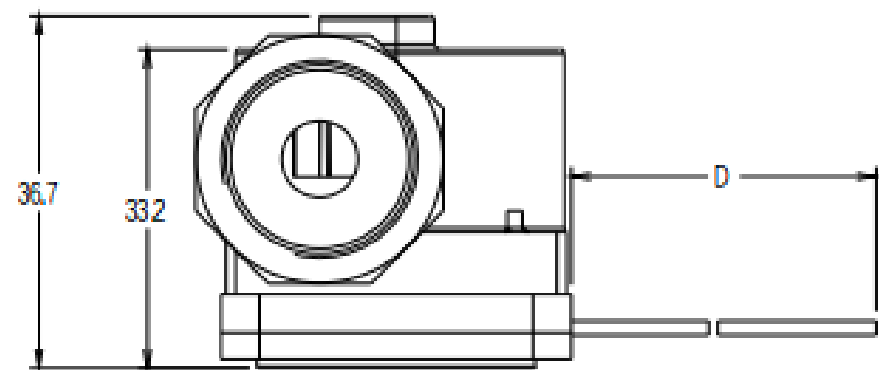


I. Specification (mm)



Model:SEN-HZ21FA(10Q)

1.Pluse signal output

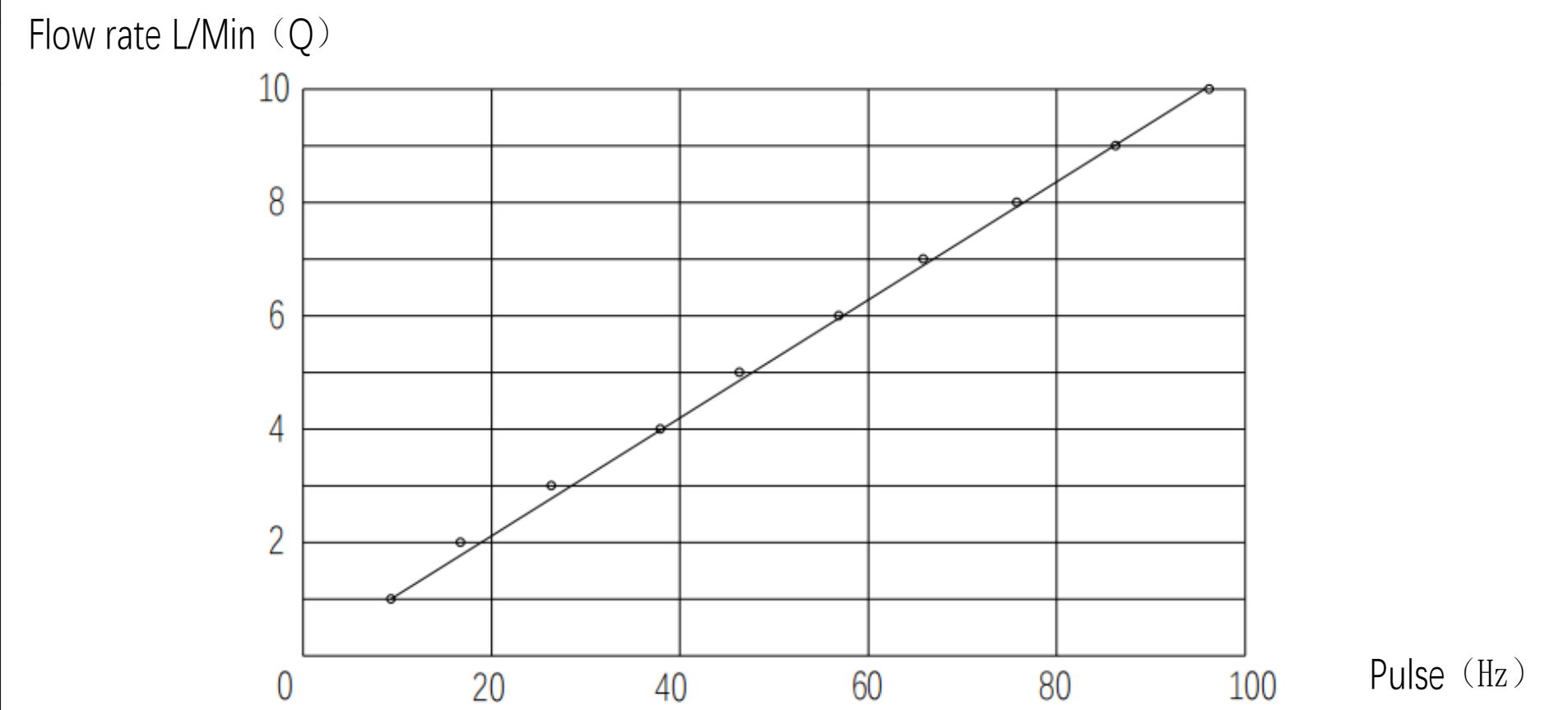
2. Material: Nylon+Brass

3.Installation: any direction

III. Characteristic for flow range

1. Instant flow Pulse characteristics: $F=[10Q] \pm 10\%$ (Just for your reference)

Instantaneous Frequency (Hz) - Flow Rate (L/min) Curve Table



Flow characteristics laboratory measured parameters comparison table

L/min	1L	2L	3L	4L	5L	6L	7L	8L	9L	10L
Pulse(vertical)	9.56	16.67	26.32	37.88	46.30	56.82	65.79	75.76	86.21	96.15

II. Technical parameters:

Temperature	water normal temp. $\leq 60^{\circ}\text{C}$, high temp. $\leq 115^{\circ}\text{C}$		
Operating voltage range	3V: 1.8-5.5V	5V: 2.2-18V	24V: 4.5-26.4V
Rated voltage/current	DC3V, $\leq 10 \mu\text{A}$	DC5V, $\leq 10\text{mA}$	DC5V, $\leq 10\text{mA}$
Output voltage Duty cycle 50%	rated voltage $< \text{DC}5\text{V}$, high level above: $V_{cc}-0.2\text{V}$, low level below: 0.2V rated voltage $\geq \text{DC}5\text{V}$, high level above: $V_{cc}-0.5\text{V}$, low level below: 0.5V		
Insulated resistor	$> 100 \text{ M}\Omega$		
Electrical strength	AC500V, 50Hz		
Flow range	1-30L/min		
Pressure performance	$\leq 1.75 \text{ Mpa}$		

IV. Instruction:

- In order to avoid particles, debris into the sensor, the sensor inlet must be installed filter.
 - Water flow sensor installed in the equipment inside or indoors, do not expose for a long time outdoors or high humidity. Under harsh environment such as temperature, to avoid strong vibration and shake the environment, to avoid affecting the sensor measurement Measuring accuracy.
 - When a magnetic material or a material which generates magnetic is close to the sensor, the characteristic may change.
 - Do not open the flow sensor to prevent damage, where unauthorized dismantling of the flow sensor are not in the scope of the warranty.
 - Not used the structure of the sensor for direct replacement may have discomfort, please prompt;
 - Customer service Tel: 0757-22905969 ; Fax no.0757-22905969.
- <https://www.chnsensor.com> ; E-mail: sales4@chnsensor.com.
- Remark: Applied to water dispenser, water control machine, coffee machine, water purifier, instrument and meter etc.