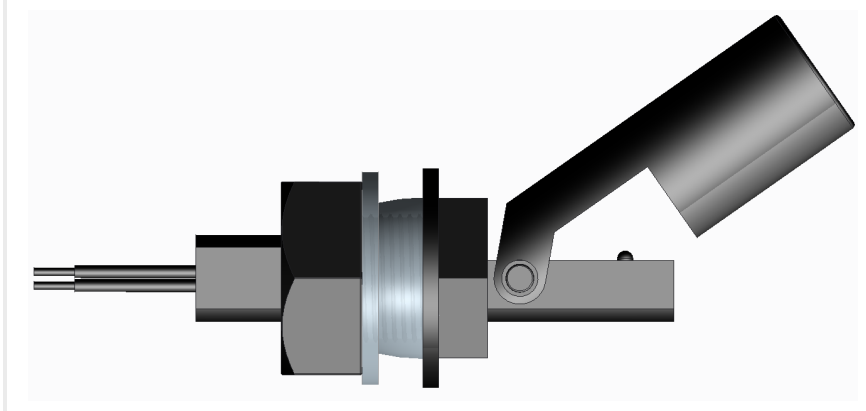


Model number: SEN-PPY85-M16

Float level switch



Operating principle: Magnetic sensor / Dry-spring-type proximity sensor.

Installation method:
horizontal installation
Float up or down

Electrical Characteristics @ 25 °C

Contact form		A
Contact rating max.	W / VA	10
Switching voltage max.	VDC	200
	VAC	140
Switching current max.	A	0.5
Carry current max.	A	1.0
Breakdown voltage min.	VDC	250
Insulation resistance min	Ω	10 ¹⁰

Environmental Characteristics

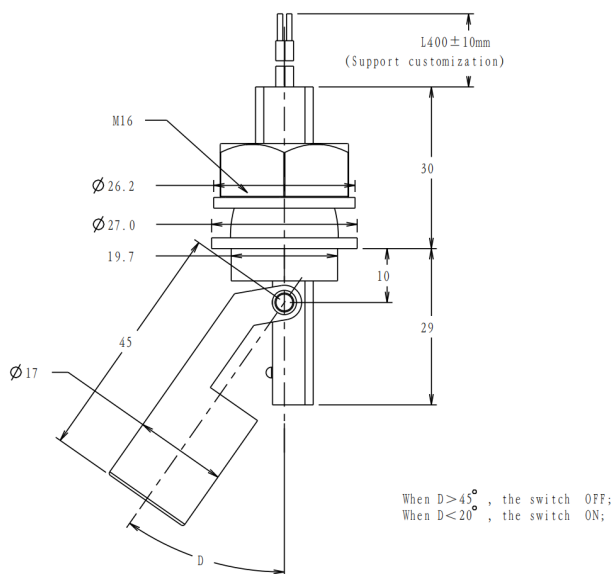
Operating temperature	°C	-20 to +80
Storage temperature	°C	-30 to +80

Mechanical Characteristics

Density of float typ.*	g / cm ³	0.7
Recommended minimum gravity of medium	g / cm ³	Density of float + 20%

* in delivery condition

Dimensions in mm



Features

- > Polypropylene housing
- > Suitable for food contact
- > Covers a wide range of applications
- > Customized types available

Approvals

IP 67

C US

Mode of signal output

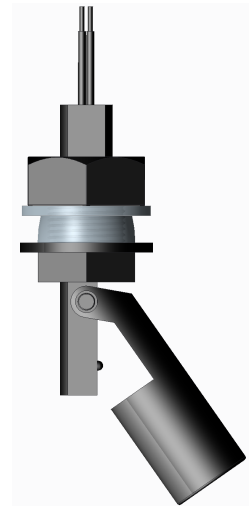
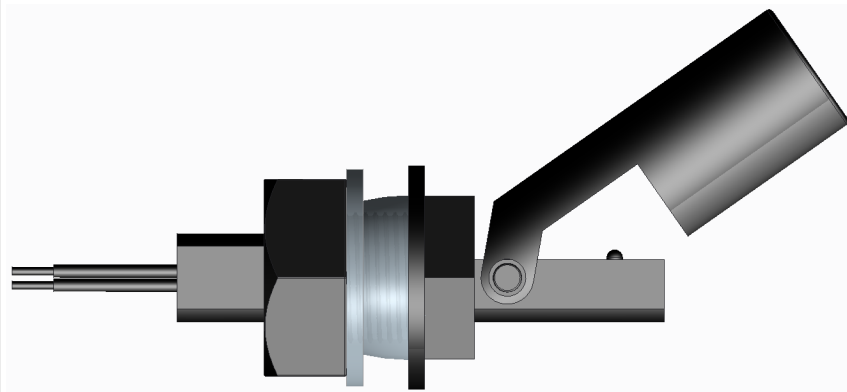
Internal reed switch and float ball sensing
Output the switch quantity signal/Touch signal

Ordering Information

Weight per piece 24.5 g

Model number: SEN-PPY85-M16

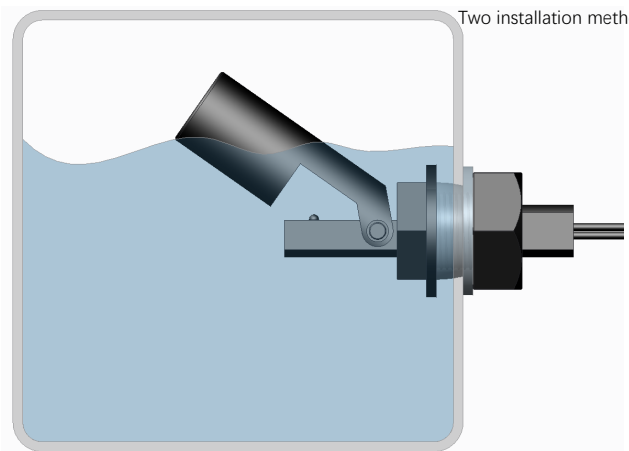
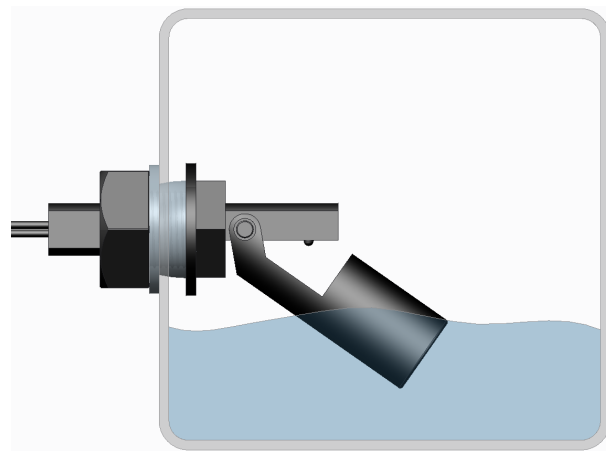
Float level switch



Material Information

	Material	Colour
Nut	PP	white
Cable	UL2464, AWG24 400±10mm(Support customization)	white
Rod	PP	white
Float	PP foam	white
Glue filling	Epoxy	black
Sealing ring	Silicone	white

Mounting



Two installation methods

Matters need attention

- *1、 If no this type of sensor has been used before, Direct use of this kind of switch may not be appropriate, please put forward in time.
- *2、 In the installation process, we must cooperate with the relay (the power is below 3W), so as not to burn out the reed switch because of the switch power is too small.
- *3、 The characteristics of the sensor may change when the magnetic material or the device generating magnetic force on the sensor is close to the sensor.
- *4、 The installation environment of the sensor should avoid the strong vibration and shaking places, to avoid the misaction of the sensor.
- *5、 Do not open the sensor without authorization to prevent damage; any unauthorized dismantled sensors are not included in the warranty scope;
- *6、 This sensor is not allowed directly on the load or other electrical appliances.