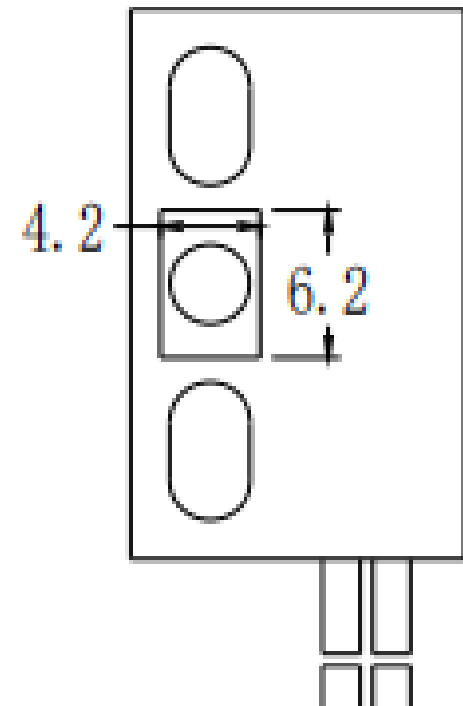
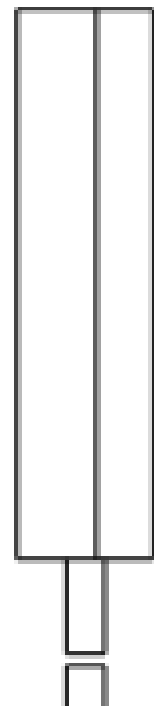
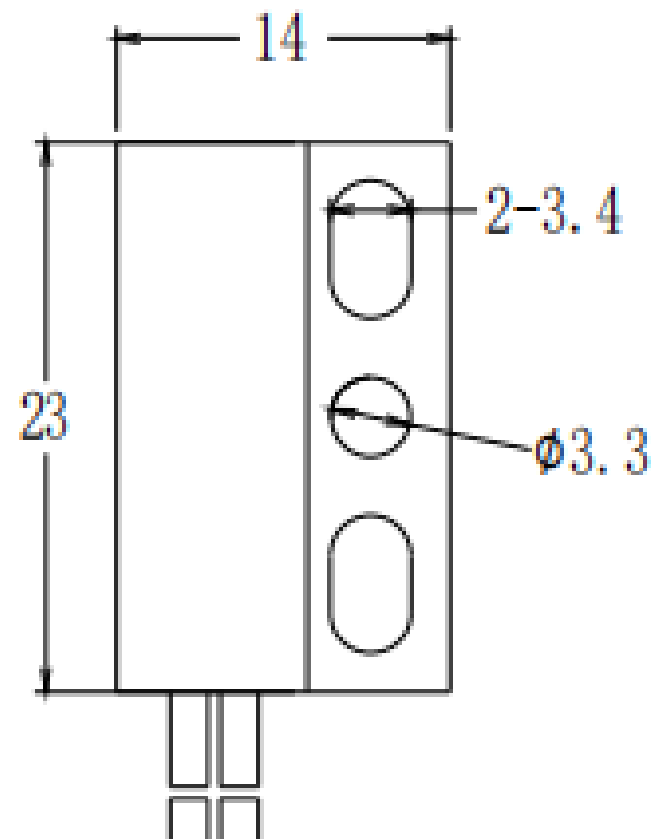
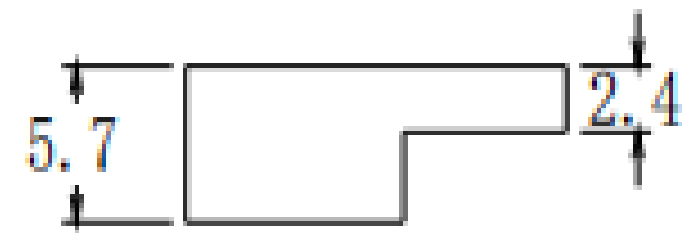


I. Specification (mm)



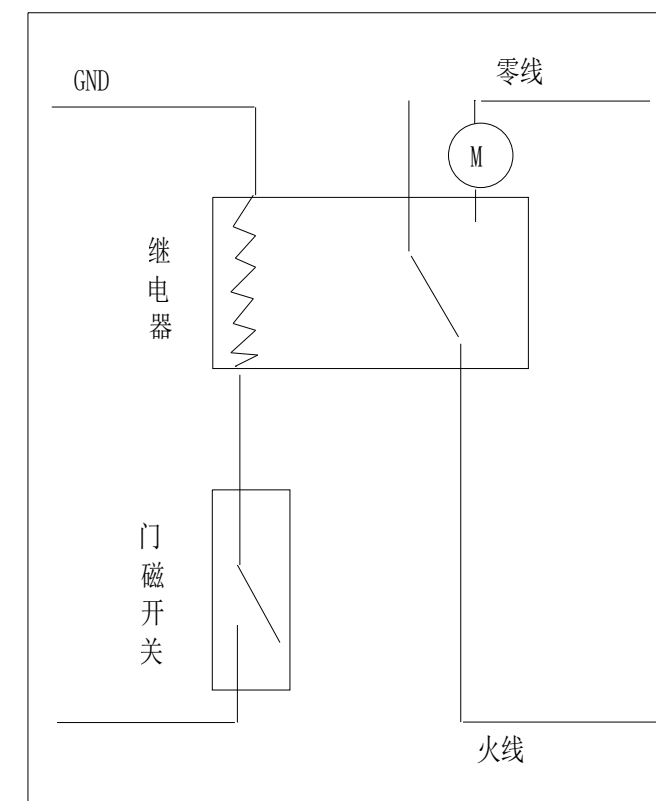
- Item: SEN-K011007
- 1. Magnetic sensor
Reed proximity switch
- 2. ABS Material
- 3. Install in any direction

III. Operating Characteristic

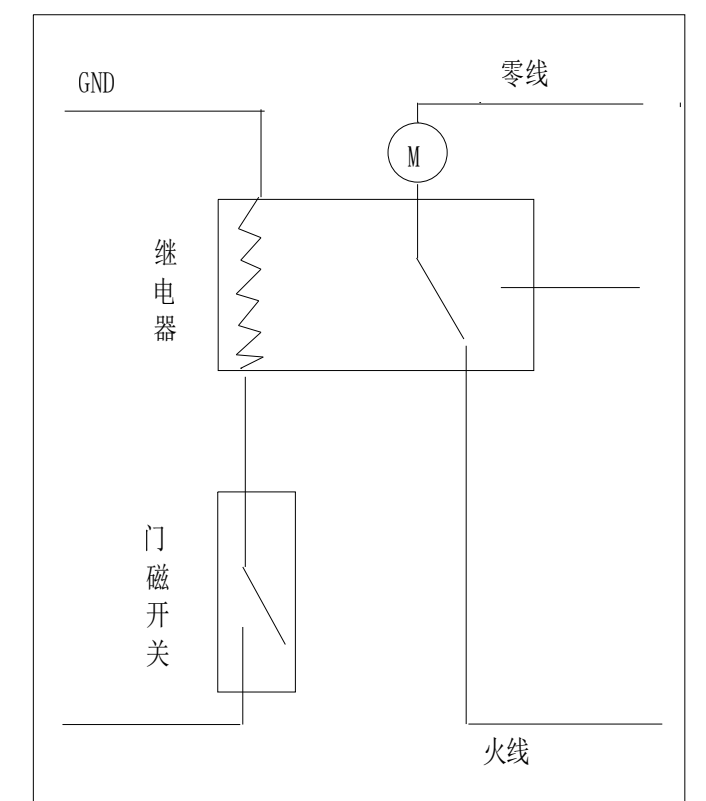
factor of merit	10-13 AT
Operation Time	≤0.55ms
Releasing time	≤0.20ms

IV. Wiring Diagram

一、Normally open control



二、Normally open control



II. Technical Parameters

Open (I017001)

Max switching power	10W
Maxi switch voltage	DC200V
min breakdown voltage	DC250V
Max switch current	0.5A
Max load current	1.0A
Max contact resistance	0.100 Ω
Min insulation resistance	10 ¹⁰ Ω
Operating temperature range	-40~+60°C
Working life	5VDC-1mA, 1x10 ⁸ time

V. Instructions

1. This type of switch has not been used before, and it may be inappropriate when used as a direct replacement, please suggest it in time;
2. Be sure to cooperate with the relay (power below 3W) during the installation process, so as not to burn out the reed switch due to the small switching power;
3. When a magnetic material or a device that generates a magnetic force on a proximity switch is brought close to the proximity switch, its characteristics may change;
4. The installation and use environment of the proximity switch should avoid places with strong vibration and shaking, so as to avoid misunderstanding of the proximity switch;
5. Do not disassemble the proximity switch without authorization to prevent damage. Any proximity switch that has been disassembled without authorization is not covered by the warranty;
6. It is forbidden to directly load the proximity switch or other electrical appliances.

7、Tel: 0757-26113778, 26113779

E-mail: saier@saiersensor.com

<http://www.saiersensor.com>