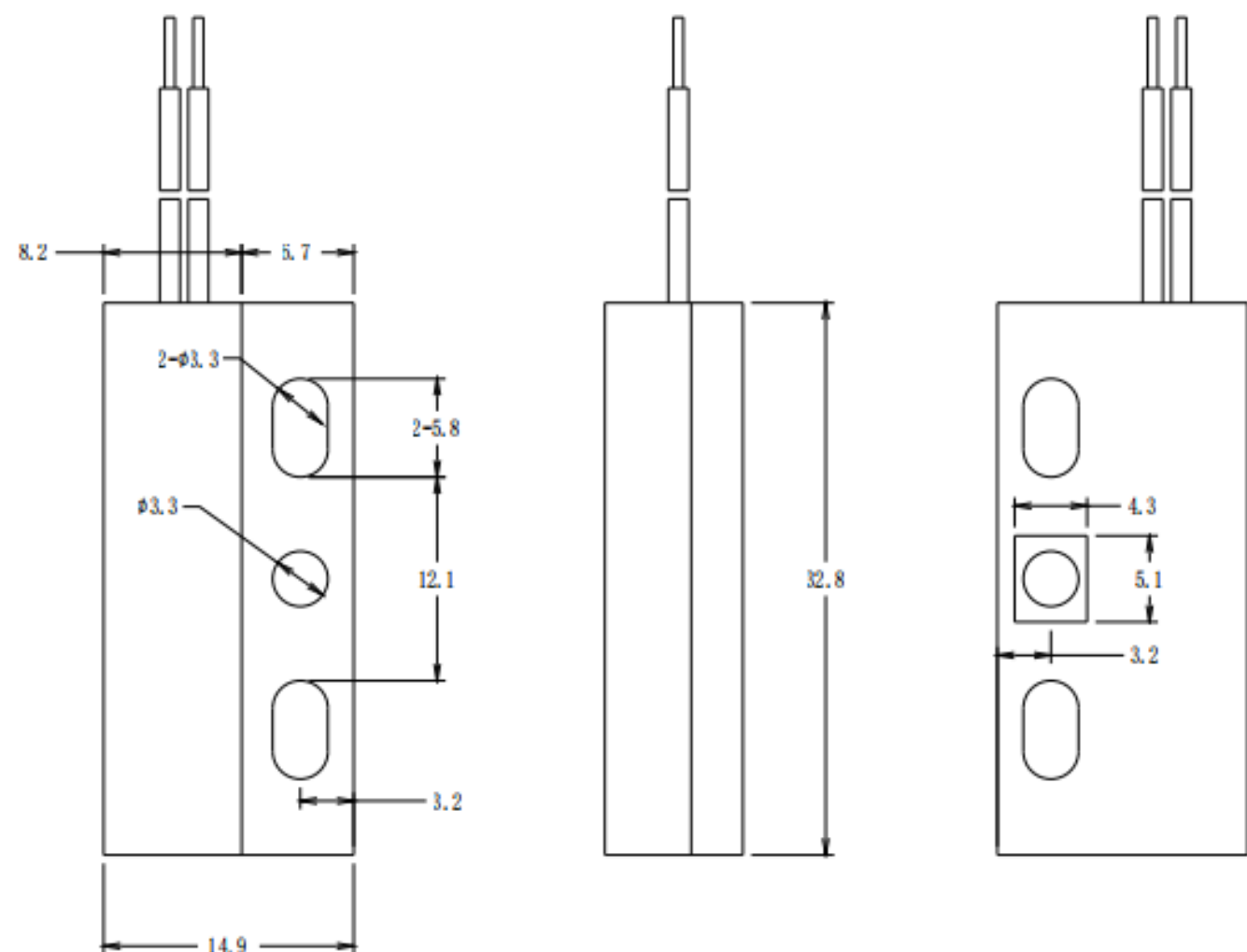
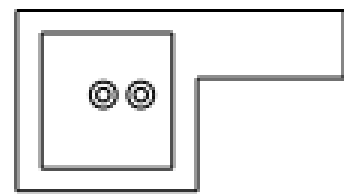


# I. Specification (mm)



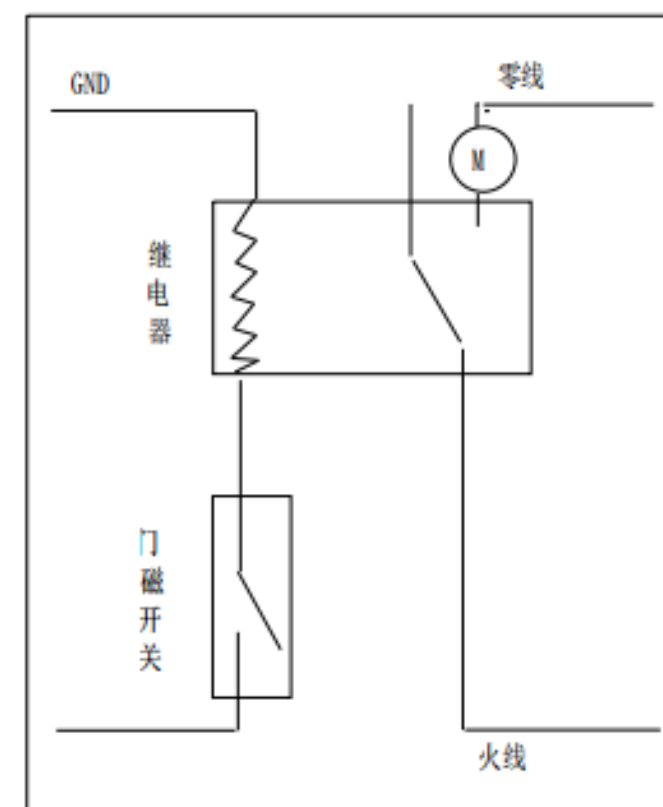
- 1. Magnetic sensor  
Reed proximity switch
- 2. ABS Material
- 3. Install in any direction

# III. Operating Characteristic

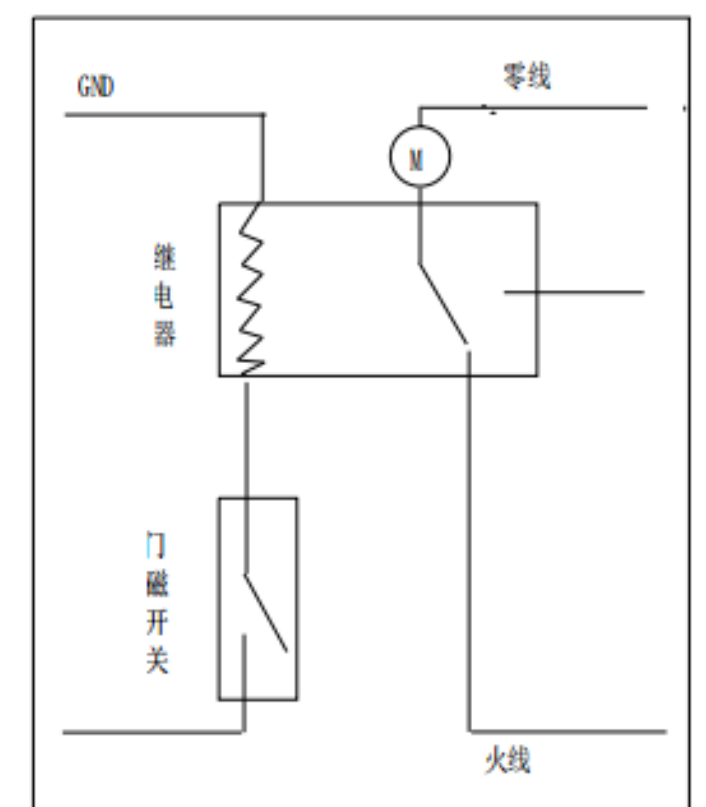
factor of merit	08-10 AT
Operation Time	≤0.55ms
Releasing time	≤0.20ms

# IV. Wiring Diagram

一、Normally open control



二、Normally open control



Open (I017001)

10W

DC200V

DC250V

0.5A

1.0A

0.100 Ω

Min insulation resistance

10<sup>10</sup> Ω

Operating temperature range

-40~+60°C

Working life

5VDC-1mA, 1x10<sup>8</sup> time

5.

7、Tel: 0757-26113778, 26113779

E-mail: sales4@chnsensor.com

<http://www.saiersensor.com>