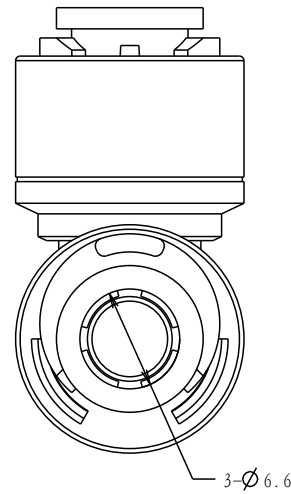
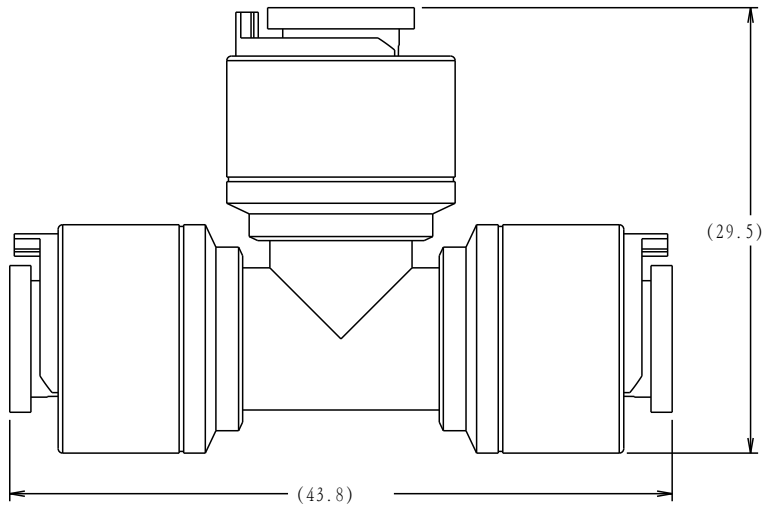
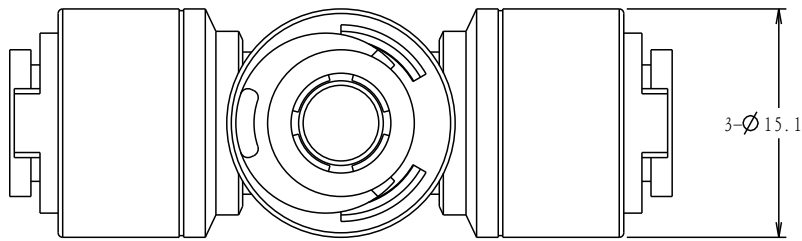


广东省佛山市顺德区赛盛尔电子科技有限公司

DWG NO
A011017

ITEM NO	PART NUMBER	QTY	NOTES
1	A011004	3	防脱卡爪
2	A011005_2	3	密封圈
3	A011005_3	3	接头接管口
4	A011017_1	1	塑料主体

USED ON
-



LOC
-

DIST
-

REQ'D
PCS

				DWN Ben, Chan	CHK Wang, Ping	APVD Wang, Ping	-												
				DIMENSIONS: mm		MATERIAL -	HT TR -												
					TOLERANCES UNLESS OTHERWISE SPECIFIED:		佛山市顺德区赛盛尔电子科技有限公司												
P	LTR	REVISION RECORD	DATE		DWN	APVD		NAME -											
THIS DRAWING IS A CONTROLLED DOCUMENT.				SURFACE TEXTURE -		<table> <tr> <td>0 PLC</td> <td>±0.5</td> </tr> <tr> <td>1 PLC</td> <td>±0.1</td> </tr> <tr> <td>2 PLC</td> <td>±0.01</td> </tr> <tr> <td>3 PLC</td> <td>±0.005</td> </tr> <tr> <td>4 PLC</td> <td>±0.002</td> </tr> <tr> <td>ANGLES</td> <td>±0° 30'</td> </tr> </table>		0 PLC	±0.5	1 PLC	±0.1	2 PLC	±0.01	3 PLC	±0.005	4 PLC	±0.002	ANGLES	±0° 30'
0 PLC	±0.5																		
1 PLC	±0.1																		
2 PLC	±0.01																		
3 PLC	±0.005																		
4 PLC	±0.002																		
ANGLES	±0° 30'																		
				SCALE 2:1	SIZE /FMT A4	DRAWING NO A011017	SHEET 1 OF 1												
						DRAWING NO A011017	REV A												