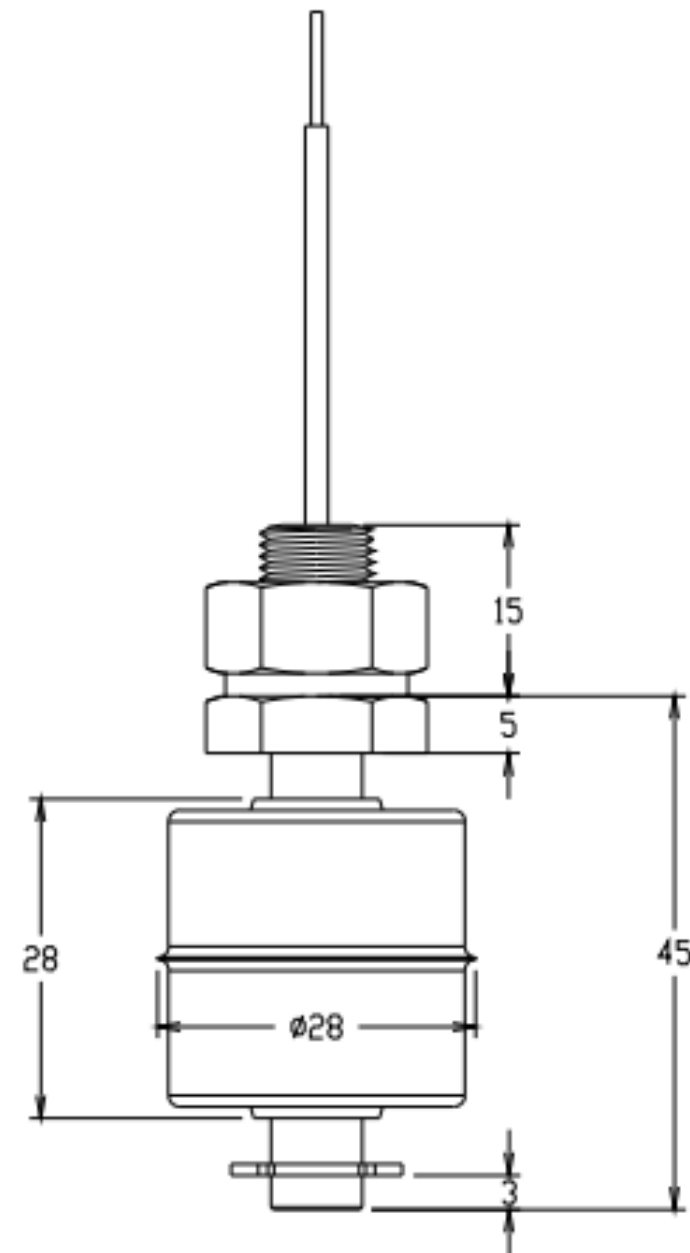


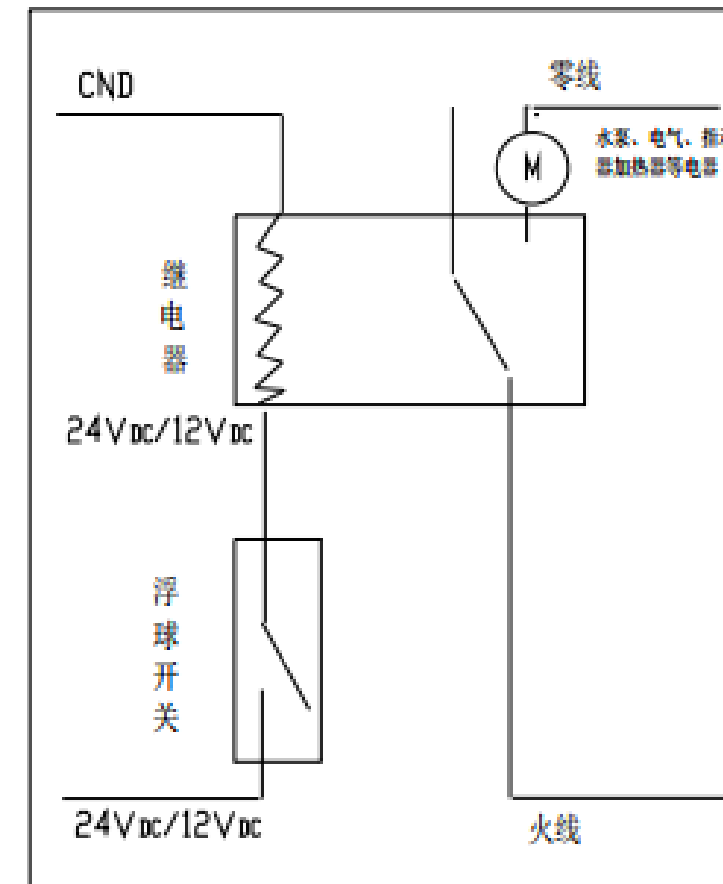
I. Specification (mm)



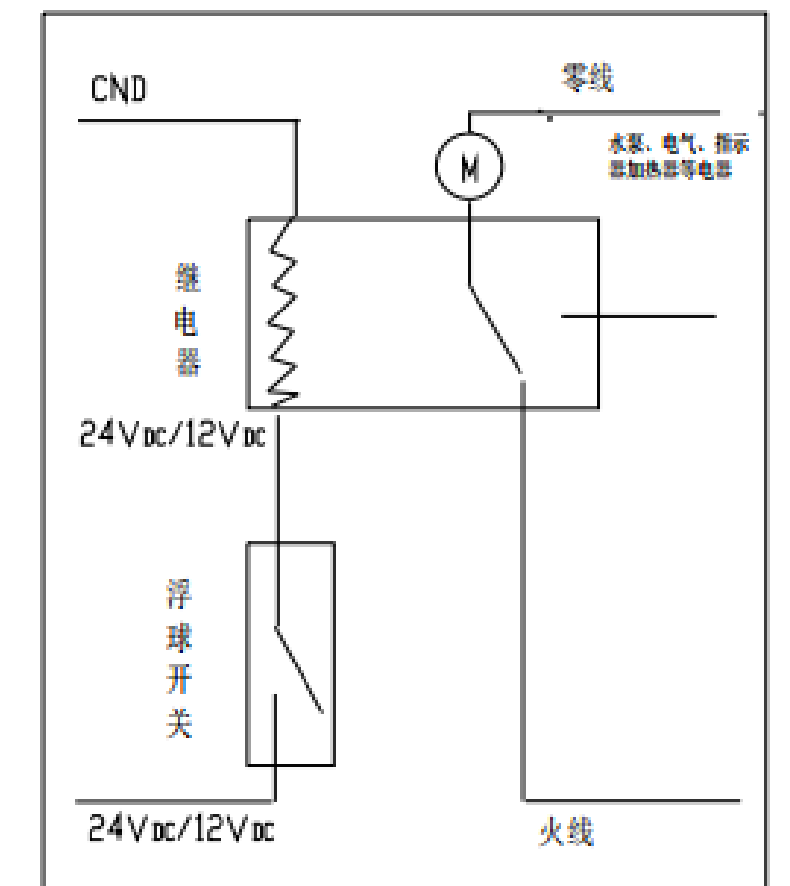
- Model:SEN-SSI45(Low Alarm)
- 1.Reed type proximity sensor
 2. Material: Sus304
 - 3.Installation: vertical

III. Connection Diagram

1. Two black wires : High Alarm
2. Two white wires : Low Alarm



Normally Open



Normally Close

II. Technical parameters:

Liquid Medium	Water normal temp. $\leq 120^{\circ}\text{C}$
Working voltage	DC220V(50w)
Max current	1A
Installation method	Vertically installed, the float ball between buckle and screw, On to Off will output switching signal
Insulation resistance	$>100 \text{ M}\Omega$
Contact resistance	Max. 0.2Ω
Output signal	Switch signal, contact signal
Working life	Electrical life: 300,000 times, mechanical life: 10 million times

IV. Instruction:

1. When a magnetic material or a material which generates magnetic is close to the switch, the characteristic may change.
 2. For the installation of the water level sensor, please refer to the installation manual of the relevant model. If you have any questions, please consult our technical in time.
 3. The level sensor is a precision electronic product, please prevent it from being dropped and squeezed from a high place, so as not to damage the built-in sensor
 4. Do not open the float level switch to prevent damage, where unauthorized dismantling of the switches are not in the scope of the warranty.
 5. Not used the structure of the switch for direct replacement may have discomfort, please discuss with engineer
 6. Customer service Tel: 0757-22905969 ; Fax no.0757-22905969.
- <https://www.chnsensor.com> ; E-mail: sales4@chnsensor.com
- Remark: Applied to water dispenser, water control machine, water tank etc.