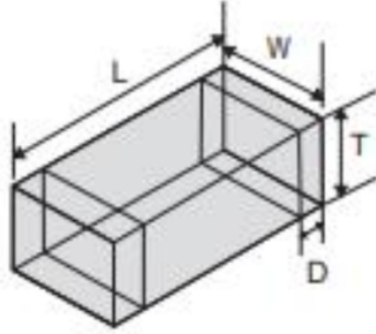


VHF201209H27NJT

SIZE

Size	0805
Length	2.0±0.2mm
Width	1.2±0.2mm
Thickness	0.9±0.2mm

[Download PDF](#)

DATA

[SPECIFICATION](#)[Component Library](#)

CHARACTERISTIC

Part Number	VHF201209H27NJT
Inductance	27nH
Tolerance	±5%
Itemp Max(mA)	300
L Size	2.0±0.2mm
W Size	1.2±0.2mm
T Size	0.9±0.2mm
Q value(Min)	15
Sensitivity, Q value test frequency (MHz)	100
Self-resonant frequency (MHz) Min	1700
DC resistance(Ω)Max	0.55



The changes, modifications, or discontinuation of data on the page mentioned above will not be notified separately. The data listed on the page is for design reference only. If you have any questions about

Creation Date : 2024/06/25 19:19:18

CST (China Standard Time) , UTC/GMT +8 Hour

RELATED RECOMMENDATIONS

[Product Search](#)